

Coils and accessories

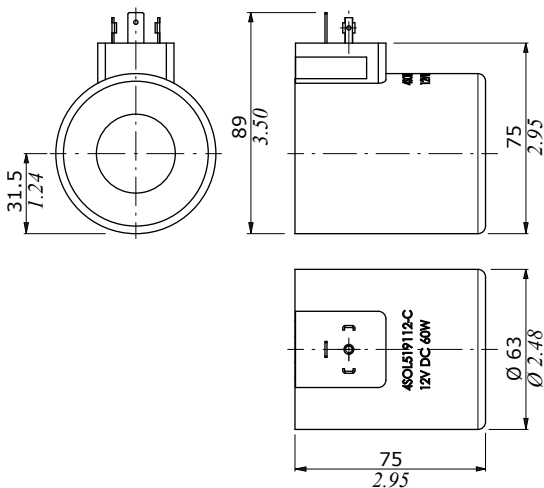
Type	Voltage	Ordering codes					
		ISO4400	Deutsch DT	AMP JPT	Packard Weatherpack	Packard Metri-pack	Flying leads without connector
D19C	12 VDC	4SOL519112-C	4SOL519402-C ⁽⁶⁾ 4SOL519413-C ⁽²⁾	-	-	-	4SOL519113-C
	24 VDC	4SOL519124-C	4SOL519404-C ⁽⁶⁾ 4SOL519425-C ⁽²⁾	-	-	-	-
	28 VDC	-	4SOL519128-C ⁽⁶⁻³⁾	-	-	-	-
Mating connectors							
		4CN1009995	5CON140031	-	-	-	-

Notes: ⁽¹⁾ supply with AC and use only with rectifier connector - ⁽²⁾ with flying leads - ⁽³⁾ with bidirectional diode - ⁽⁴⁾ with unidirectional diode - ⁽⁵⁾ integrated perpendicular type - ⁽⁶⁾ integrated parallel type

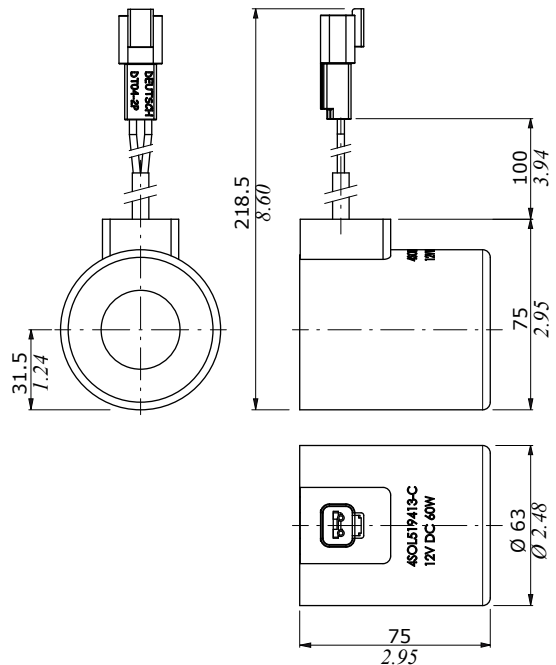
Features

Nominal voltage tolerance : ±10%
 Nominal power..... : 60 W - 12/24/28 VDC
 Nominal current : 5 A @ 12 VDC / 2.5 A @ 24 VDC / 2.14 A @ 28 VDC
 Insulation : Class H (180°C)
 Weather protection : IP65 - ISO4400 / IP69K - Deutsch DT
 Insertion : 100%

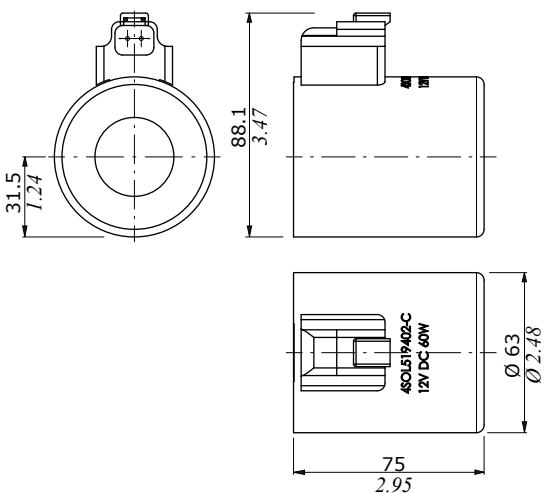
ISO4400 connector



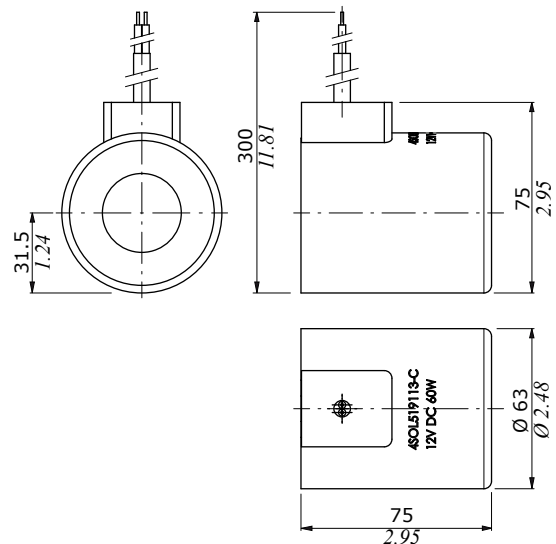
Flying leads with DEUTSCH DT04 connector



DEUTSCH DT04 connector (Parallel type)



Flying leads



Installation and maintenance

The diverter valves are assembled and tested as per the technical specification of this catalogue.

Before the final installation on your equipment, follow the below recommendations:

- the diverter valves can be assembled in any position, in order to prevent body deformation and spool sticking mount the product on a flat surface;
- in order to prevent the possibility of water entering the lever box and spool control kit, do not use high pressure wash down directly on the diverter valves;
- prior to painting, ensure plastic port plugs are tightly in place.

Fittings tightening torque - Nm / lbft

These torque are recommended. Assembly tightening torque depends on many factors, including lubrication, coating and surface finish. The manufacturer shall be consulted.

MECHANICAL CONTROL MONOBLOCK DIVERTER VALVES				
THREADS TYPE	DF5-DFC050	DF10-DFC100	DF20	DF25
BSP	G 3/8	G 1/2	G 3/4	G 1
With O-Ring seal	35/25.8	50/37	90/66.4	100/73.8
With copper washer	40/29.5	60/44.3	60/44.3	90/66.4
With steel and rubber washer	30/22	60/44.3	70/51.6	100/73.8
UN-UNF	3/4-16 (SAE 8)	7/8-14 (SAE 10)	1" 1/16-12 (SAE 12)	1" 5/16-12 (SAE 16)
With O-Ring seal	50/37	60/44.3	95/70	150/111

SOLENOID CONTROL MONOBLOCK DIVERTER VALVES											
THREADS TYPE	DFE052			DFE102		DFE20		DFE085	DFE110		DFE141
	Ports	Drain	Drain*	Ports	Drain	Ports	Drain	Ports	Ports	Drain	Ports
BSP	G 3/8	G 1/4	G 1/4	G 1/2	G 1/4	G 3/4	G 1/4	G 3/8	G 1/2	G 1/4	G 1/2
With O-Ring seal	35/25.8	20/14.8	20/14.8	50/37	20/14.8	90/66.4	20/14.8	35/25.8	50/37	20/14.8	50/37
With copper washer	40/29.5	25/18.4	25/18.4	60/44.3	25/18.4	60/44.3	25/18.4	40/29.5	60/44.3	25/18.4	60/44.3
With steel and rubber washer	30/22	16/11.8	16/11.8	60/44.3	16/11.8	70/51.6	16/11.8	30/22	60/44.3	16/11.8	60/44.3
UN-UNF	3/4-16 (SAE 8)	9/16-18 (SAE 6)	7/16-20 (SAE 4)	7/8-14 (SAE 10)	9/16-18 (SAE 6)	1" 1/16-12 (SAE 12)	7/16-20 (SAE 4)	3/4-16 (SAE 8)	7/8-14 (SAE 10)	9/16-18 (SAE 6)	-
With O-Ring seal	50/37	30/22	15/11	60/44.3	30/22	95/70	15/11	50/37	60/44.3	30/22	

NOTE (*) - drain for DFE052/8

SOLENOID CONTROL SECTIONAL DIVERTER VALVES							
THREADS TYPE	DFE080		DFE100		DFE140		
	Ports	Drain	Ports	Drain	Ports	Drain	
BSP	G 1/4	G 1/4	G 3/8	G 1/4	G 1/2	G 1/4	
With O-Ring seal	20/14.8	20/14.8	35/25.8	20/14.8	50/37	20/14.8	
With copper washer	25/18.4	25/18.4	40/29.5	25/18.4	60/44.3	25/18.4	
With steel and rubber washer	16/11.8	16/11.8	30/22	16/11.8	60/44.3	16/11.8	
UN-UNF	7/16-20 (SAE 4)	7/16-20 (SAE 4)	7/8-14 (SAE 10)	9/16-18 (SAE 6)	7/8-14 (SAE 10)	9/16-18 (SAE 6)	
With O-Ring seal	15/11	15/11	50/37	30/22	60/44.3	30/22	

ROTARY CONTROL DIVERTER VALVES					
THREADS TYPE	DHZ5	DHZ10	DHZ20	DH25	DH30
BSP	G 3/8	G 1/2	G 3/4	G 1	G 1" 1/2
With O-Ring seal	35/25.8	50/37	90/66.4	100/73.8	120/44.3
With copper washer	40/29.5	60/44.3	60/44.3	90/66.4	100/73.8
With steel and rubber washer	30/22	60/44.3	70/51.6	100/73.8	120/44.3
UN-UNF	3/4-16 (SAE 8)	7/8-14 (SAE 10)	1" 1/16-12 (SAE 12)	1" 5/16-12 (SAE 16)	1" 7/8-12 (SAE 24)
With O-Ring seal	50/37	60/44.3	95/70	150/111	210/155