

# PM12 RANGE



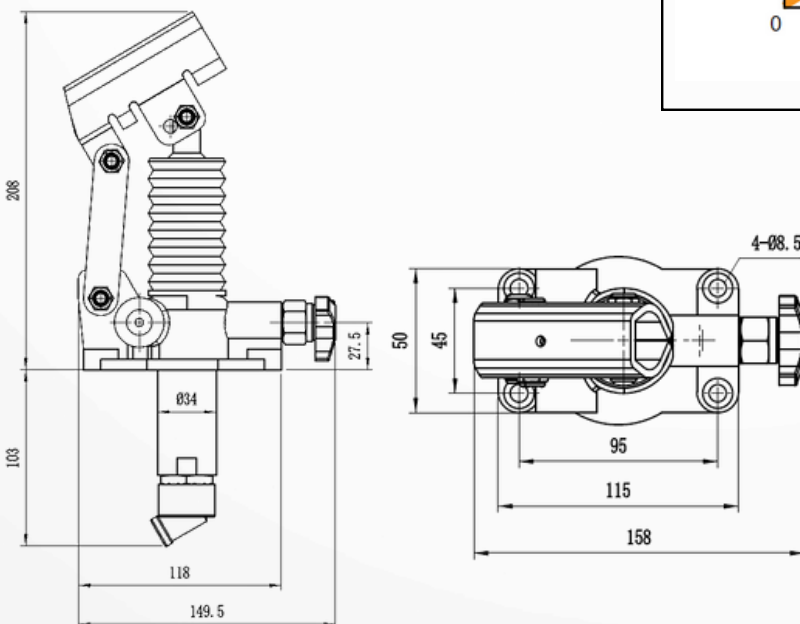
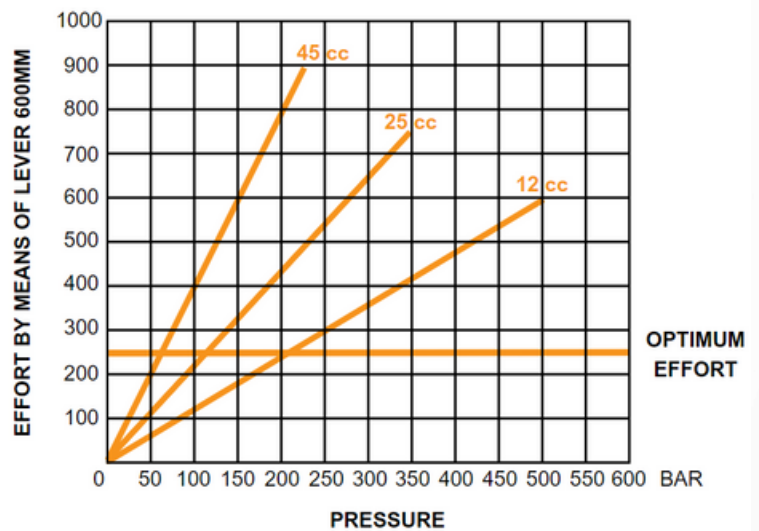
Flowfit 12cc Single Acting Hand Pump  
For Single Acting Cylinder, With Relief Valve.  
Comes With Oil Tank Mounting Kit and Suction Pipe.

- PM12-S-FF- Without Relief Valve
- PM12-BYB-S-FF - With Relief Valve

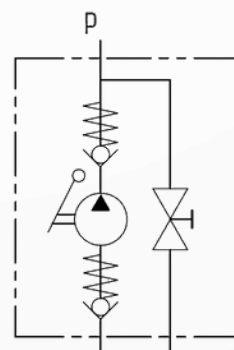


## SPECIFICATIONS

- 3/8" BSP Port Size
- Max working pressure: 300 Bar
- Internal Leakage: < 2 drops/min at 138 bar
- Filtration of oil: 25 Micron or better
- Temperature: -30 - 110°C
- Flow: 12cc Hand Pump
- Double stroke operation



S/ACT - NO RELIEF



S/ACT - C/W RELIEF

