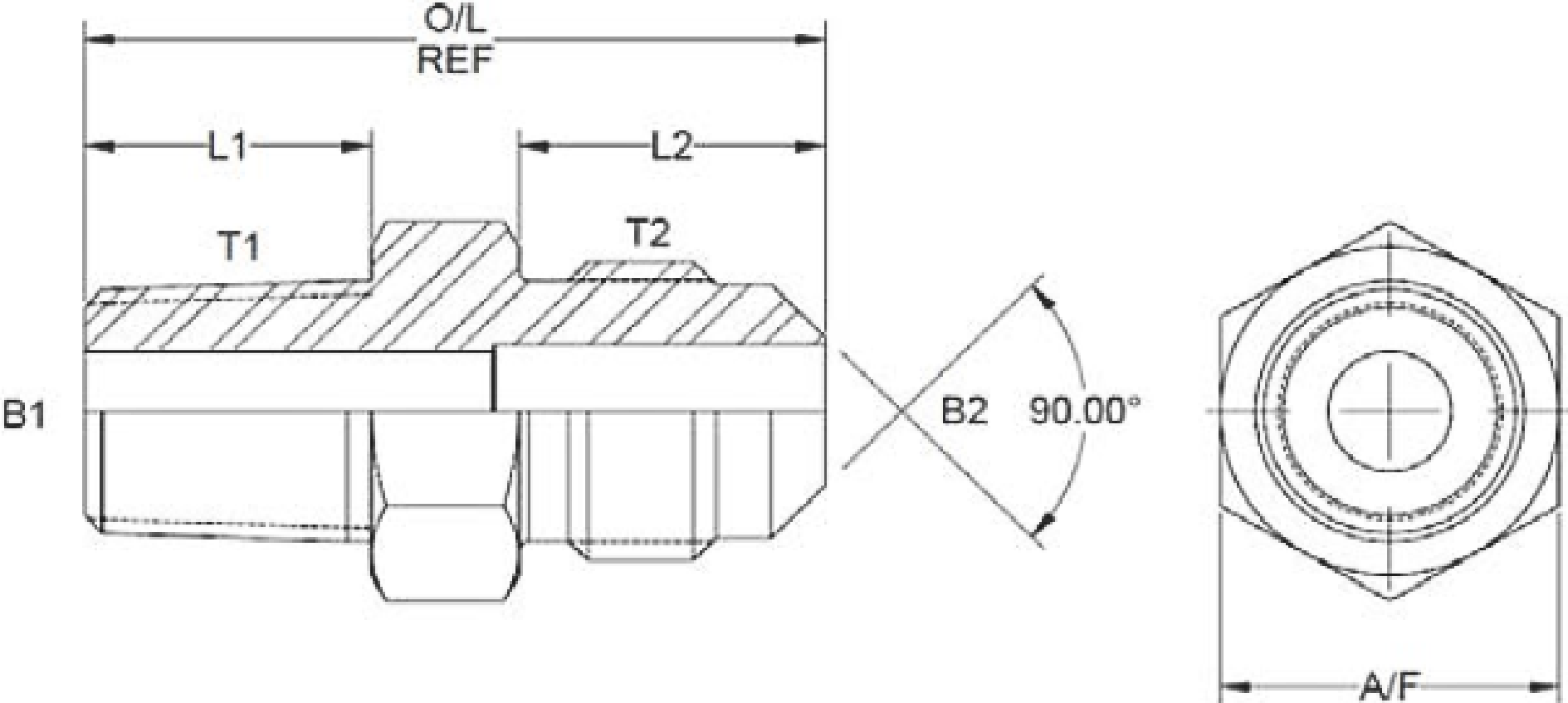


BSPT male x SAE 45° male external flare

A/F dimensions are imperial unless stated.



	T1	T2	B1	B2	L1	L2	O/L	A/F
18053	1/8	5/8	4.75	7.14	11.10	15.75	1.377	0.687
18050	1/4	5/8	6.35	7.14	14.73	15.75	1.5	0.687
18051	3/8	5/8	9.53	7.14	14.99	15.75	1.53	0.687
18052	1/2	5/8	12.7	7.14	19.56	15.75	1.71	22mm