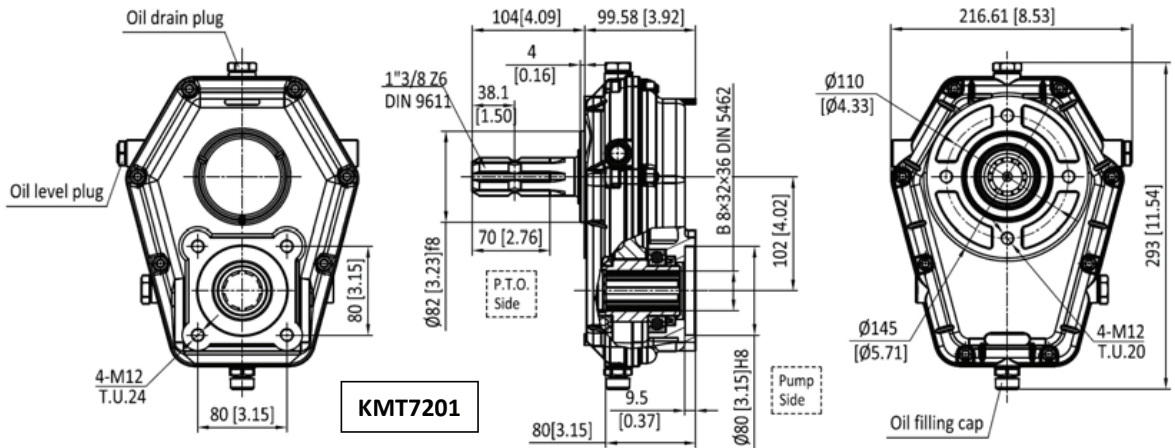
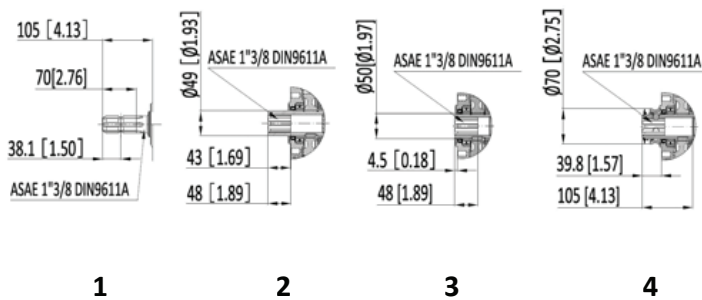


SPEED INCREASING GEARBOXES

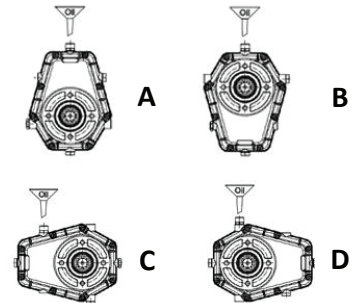
FLOWFIT CAST IRON PTO GEARBOX KMT720 SERIES GROUP 3 PUMP - 37KW - CAST IRON



P.T.O.



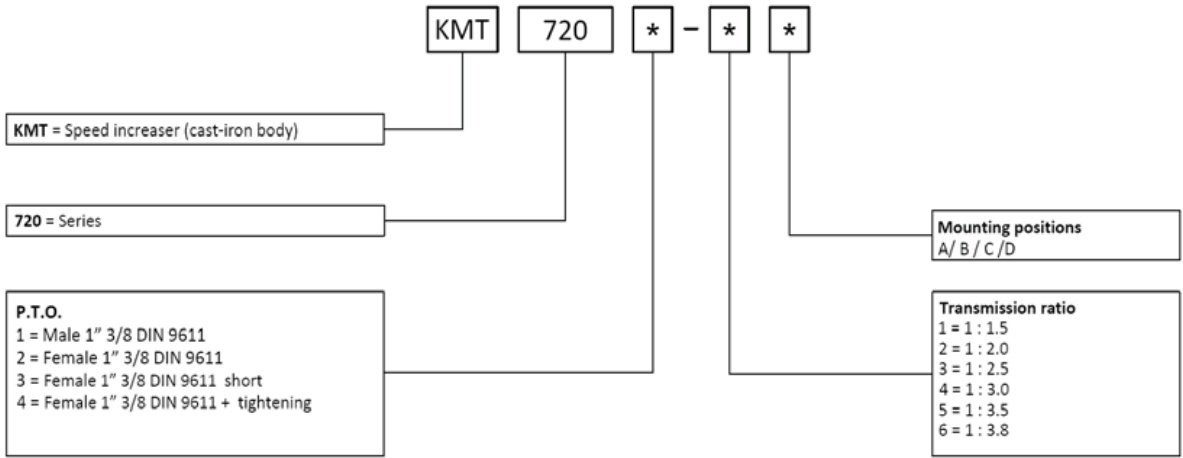
Mounting positions



FLOWFIT FLOWFIT CAST IRON PTO GEARBOX KMT720 SERIES - GROUP 3 PUMP - 37KW

PRODUCT NO.	SHAFT	QUICK RELEASE	RATIO	MOUNTING POSITION
KMT7201-1A	Male - 1" 3/8" DIN 9611 (Drawing 1)	No	1:1,5	A
KMT7201-2A	Male - 1" 3/8" DIN 9611 (Drawing 1)	No	1:2	A
KMT7201-4A	Male - 1" 3/8" DIN 9611 (Drawing 1)	No	1:3	A
KMT7201-5A	Male - 1" 3/8" DIN 9611 (Drawing 1)	No	1:3,5	A
KMT7201-6A	Male - 1" 3/8" DIN 9611 (Drawing 1)	No	1:3,8	A
KMT7202-1A	Female " 3/8" DIN 9611 (Drawing 3)	No	1:1,5	A
KMT7202-2A	Female " 3/8" DIN 9611 (Drawing 3)	No	1:2	A
KMT7202-4A	Female " 3/8" DIN 9611 (Drawing 3)	No	1:3	A
KMT7202-5A	Female " 3/8" DIN 9611 (Drawing 3)	No	1:3,5	A
KMT7202-6A	Female " 3/8" DIN 9611 (Drawing 3)	No	1:3,8	A
KMT7204-1A	Female 1" 3/8" DIN 9611 (Drawing 4)	Yes	1:1,5	A
KMT7204-2A	Female 1" 3/8" DIN 9611 (Drawing 4)	Yes	1:2	A
KMT7204-4A	Female 1" 3/8" DIN 9611 (Drawing 4)	Yes	1:3	A
KMT7204-5A	Female 1" 3/8" DIN 9611 (Drawing 4)	Yes	1:3,5	A
KMT7204-6A	Female 1" 3/8" DIN 9611 (Drawing 4)	Yes	1:3,8	A

How to order:



For example: KMT7201-1AT

INPUT TORQUE (Nm)	OUTPUT TORQUE (Nm)	INPUT SPEED (r/min)	TRANSMISSION RATIO	OUTPUT SPEED (r/min)	POWER (Kw)	WEIGHT (Kg)
660	440	540	1.5	810	37	16
660	330	540	2	1080	37	16
660	264	540	2.5	1350	37	16
660	220	540	3	1620	37	16
660	180	540	3.5	1836	37	16
660	166	540	3.8	2052	37	16