

MULTIPLIERS

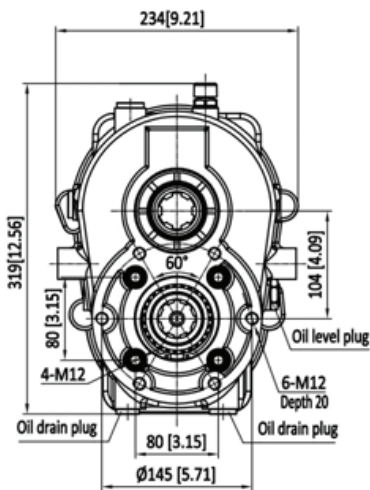
FLOWFIT ALUMINIUM MULTIPLIER KM800 SERIES



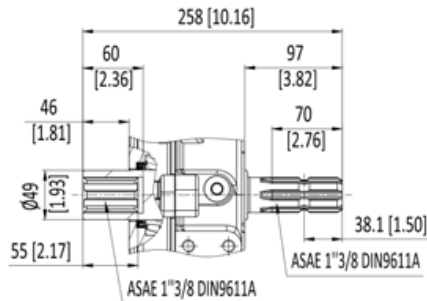
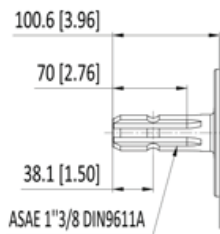
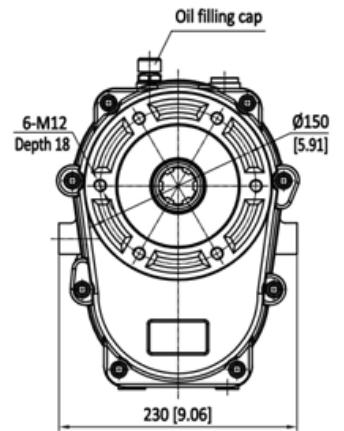
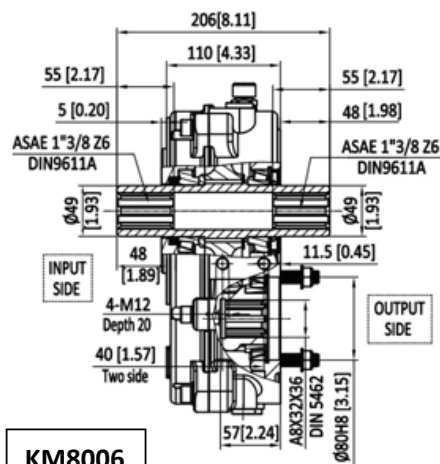
KM8001



KM8006

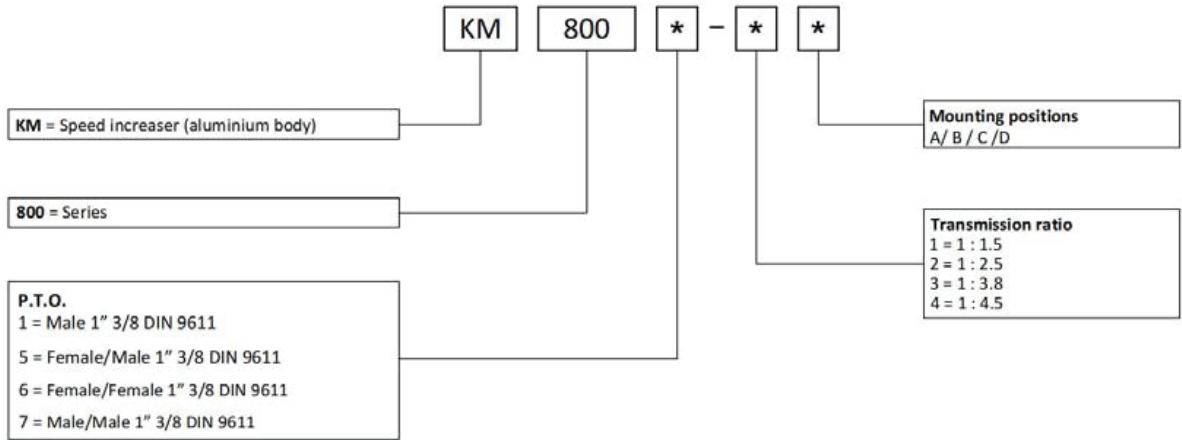


KM8006



INPUT TORQUE (Nm)	OUTPUT TORQUE (Nm)	INPUT SPEED (r/min)	TRANSMISSION RATIO	OUTPUT SPEED (r/min)	POWER (Kw)	WEIGHT (Kg)
790	530	540	1.5	810	46	14
785	320	540	2.5	1350	46	14
780	210	540	3.8	2052	46	14
770	180	540	4.5	2430	46	14

How to order:



For example: KM8006-2A

PRODUCT NO.	FLOWFIT ALLOY MULTIPLIER KM800 SERIES GEARBOX KM600 SERIES - 46KW		
	SHAFT	RATIO	MOUNTING POSITION
KM8001-1A	Male - 1" 3/8" DIN9611 (Drawing 1)	1:1,5	A
KM8001-2A	Male - 1" 3/8" DIN9611 (Drawing 1)	1:2,5	A
KM8001-3A	Male - 1" 3/8" DIN9611 (Drawing 1)	1:3,8	A
KM8001-4A	Male - 1" 3/8" DIN9611 (Drawing 1)	1:4,5	A
KM8006-1A	Female/Female " 3/8" DIN 9611 (Drawing 6)	1:1,5	A
KM8006-2A	Female/Female " 3/8" DIN 9611 (Drawing 6)	1:2,5	A
KM8006-3A	Female/Female " 3/8" DIN 9611 (Drawing 6)	1:3,8	A
KM8006-4A	Female/Female " 3/8" DIN 9611 (Drawing 6)	1:4,5	A