

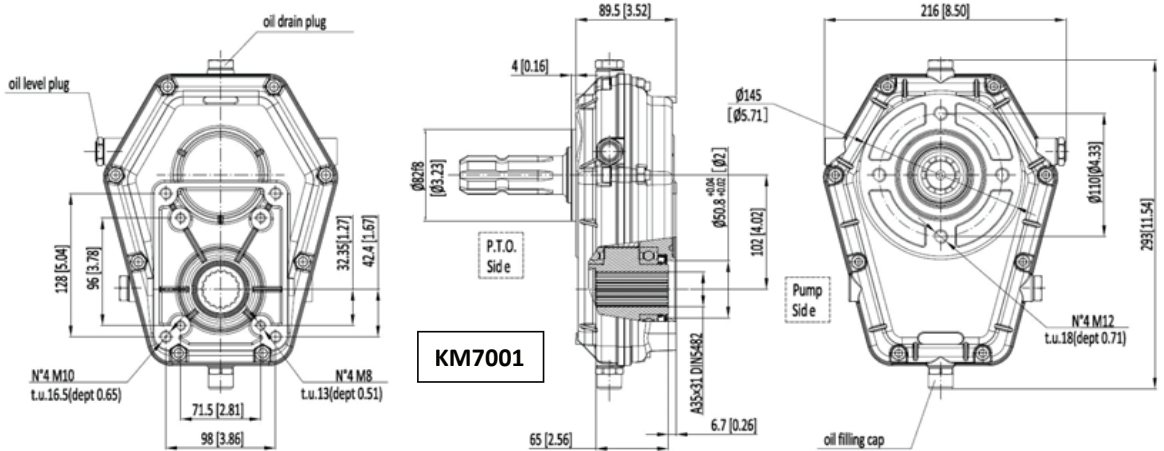
FLOWFIT PTO GEARBOX KM700 SERIES GROUP 3 PUMP - 20KW



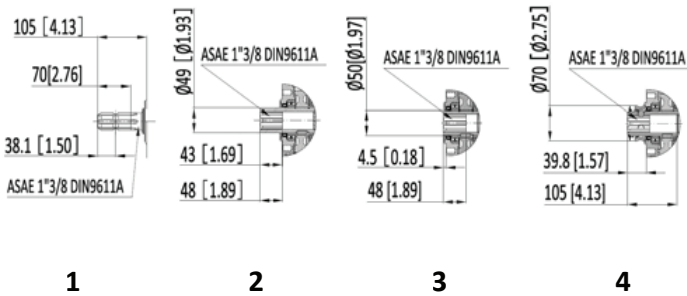
KM7001-5A



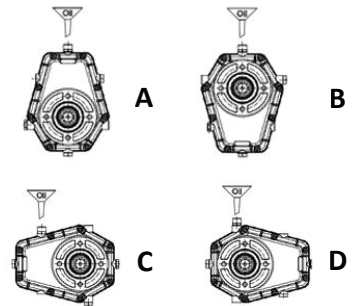
KM7004-4A



P.T.O.

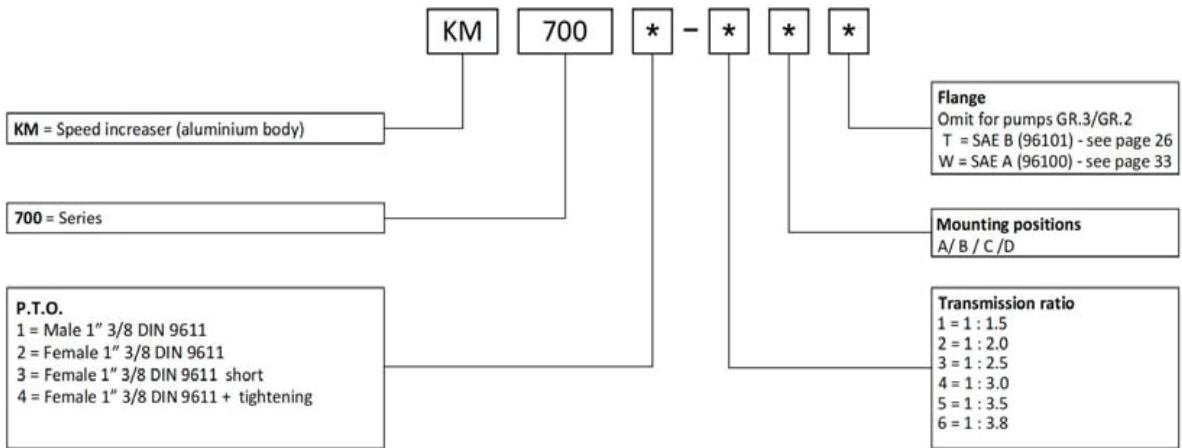


Mounting positions



TRANSMISSION RATIO	INPUT TORQUE (NM)	OUTPUT TORQUE (NM)	INPUT SPEED (R/MIN)	OUTPUT SPEED (R/MIN)	POWER (KW)	WEIGHT (KG)
1.5	380	260	540	810	20	8.3
2	430	210	540	1080	20	8.3
2.5	460	180	540	1350	20	8.3
3	490	160	540	1620	20	8.3
3.5	460	130	540	1836	20	8.3
3.8	437	115	540	2052	20	8.3

How to order:



For example: KM7001-1AT

FLOWFIT FLOWFIT PTO GEARBOX KM700 SERIES - GROUP 3 PUMP - 20KW

PRODUCT NO.	SHAFT	QUICK RELEASE	RATIO	MOUNTING POSITION	NETT. PRICE	
					£ STERLING	€ EUROS
KM7001-1A	Male - 1" 3/8" DIN9611 (Drawing 1)	No	1;1,5	A	£172.86	€ 203.97
KM7001-2A	Male - 1" 3/8" DIN9611 (Drawing 1)	No	1;2	A	£172.86	€ 203.97
KM7001-4A*	Male - 1" 3/8" DIN9611 (Drawing 1)	No	1;3	A	£172.86	€ 203.97
KM7001-5A*	Male - 1" 3/8" DIN9611 (Drawing 1)	No	1;3,5	A	£172.86	€ 203.97
KM7001-6A*	Male - 1" 3/8" DIN9611 (Drawing 1)	No	1;3,8	A	£172.86	€ 203.97
KM7002-1A	Female " 3/8" DIN 9611 (Drawing 3)	No	1;1,5	A	£181.16	€ 213.77
KM7002-2A	Female " 3/8" DIN 9611 (Drawing 3)	No	1;2	A	£181.16	€ 213.77
KM7002-4A	Female " 3/8" DIN 9611 (Drawing 3)	No	1;3	A	£181.16	€ 213.77
KM7002-5A	Female " 3/8" DIN 9611 (Drawing 3)	No	1.3,5	A	£181.16	€ 213.77
KM7002-6A*	Female " 3/8" DIN 9611 (Drawing 3)	No	1;3,8	A	£181.16	€ 213.77
KM7004-1A	Female 1" 3/8" DIN 9611 (Drawing 4)	Yes	1;1,5	A	£189.85	€ 224.03
KM7004-2A	Female 1" 3/8" DIN 9611 (Drawing 4)	Yes	1;2	A	£189.85	€ 224.03
KM7004-4A*	Female 1" 3/8" DIN 9611 (Drawing 4)	Yes	1.3	A	£189.85	€ 224.03
KM7004-5A*	Female 1" 3/8" DIN 9611 (Drawing 4)	Yes	1;3,5	A	£189.85	€ 224.03
KM7004-6A*	Female 1" 3/8" DIN 9611 (Drawing 4)	Yes	1;3,8	A	£189.85	€ 224.03

*GENERALLY STOCKED

Contact Us for custom specification.