

SPEED INCREASING GEARBOXES

FLOWFIT PTO GEARBOX KM600 SERIES GROUP 2 PUMP - 10KW



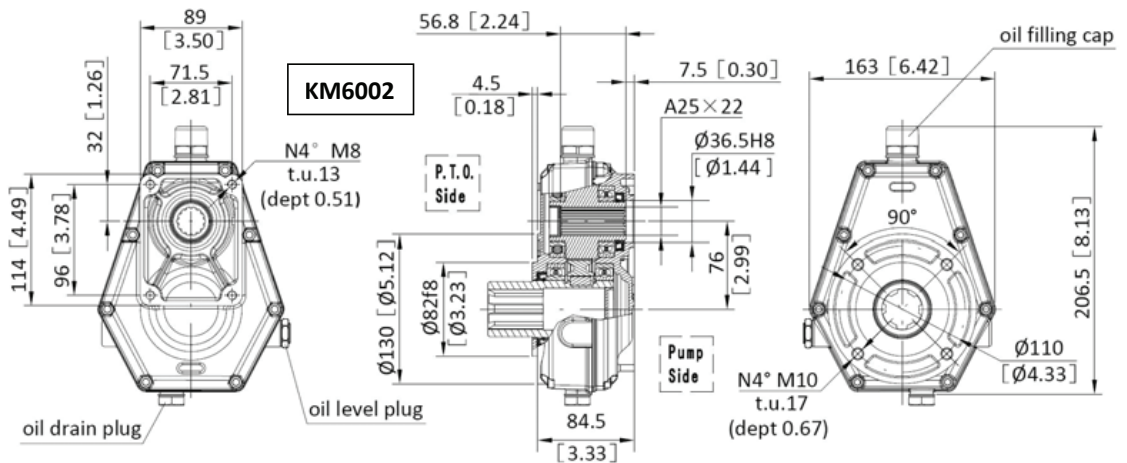
KM6001-4A



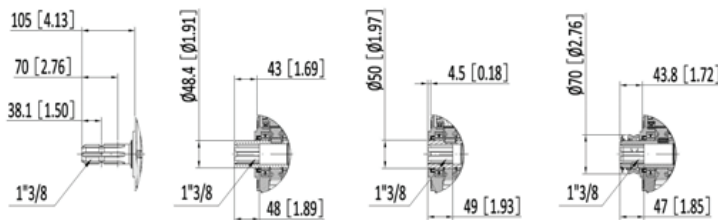
KM6001-5A



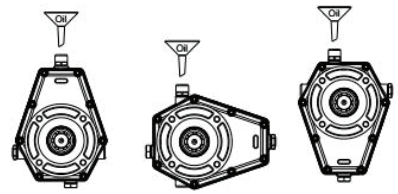
KM6002-6A



P.T.O.



Mounting positions



1

2

3

4

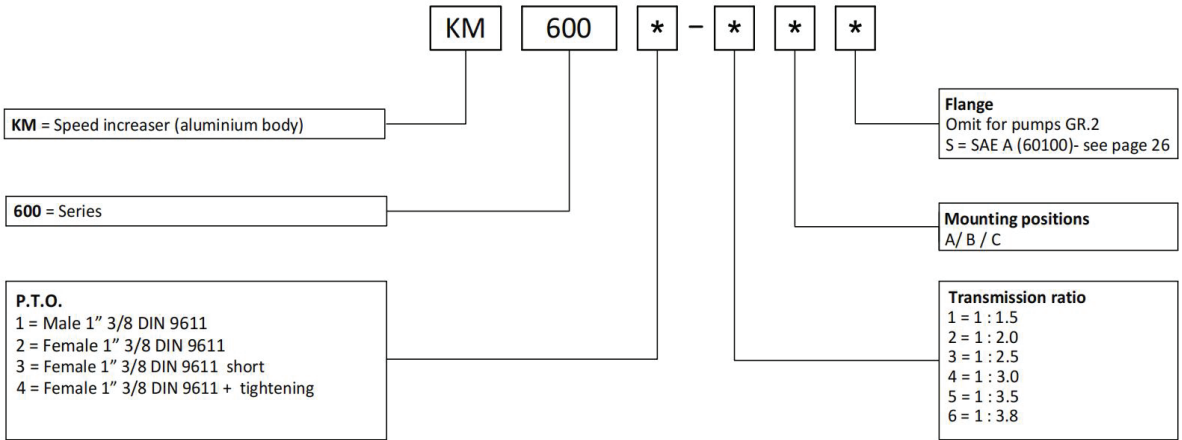
A

B

C

| TRANSMISSION RATIO | INPUT TORQUE (NM) | OUTPUT TORQUE (NM) | INPUT SPEED (R/MIN) | OUTPUT SPEED (R/MIN) | POWER (KW) | WEIGHT (KG) |
|--------------------|-------------------|--------------------|---------------------|----------------------|------------|-------------|
| 1.5 | 178 | 119 | 540 | 810 | 10 | 5.8 |
| 2 | 152 | 76 | 540 | 1080 | 10 | 5.8 |
| 2.5 | 165 | 66 | 540 | 1350 | 10 | 5.8 |
| 3 | 180 | 55 | 540 | 1680 | 10 | 5.8 |
| 3.5 | 186 | 58 | 540 | 1836 | 10 | 5.8 |
| 3.8 | 159 | 42 | 540 | 2052 | 10 | 5.8 |

How to order:



For example: KM6001-1AS

| FLOWFIT FLOWFIT PTO GEARBOX KM600 SERIES - GROUP 2 PUMP - 10KW | | | | | | |
|--|-------------------------------------|---------------|-------|-------------------|-------------|----------|
| PRODUCT NO. | SHAFT | QUICK RELEASE | RATIO | MOUNTING POSITION | NETT. PRICE | |
| | | | | | £ STERLING | € EUROS |
| KM6001-1A | Male - 1" 3/8" DIN9611 (Drawing 1) | No | 1:1,5 | A | £127.42 | € 150.36 |
| KM6001-2A | Male - 1" 3/8" DIN9611 (Drawing 1) | No | 1:2 | A | £127.42 | € 150.36 |
| KM6001-4A* | Male - 1" 3/8" DIN9611 (Drawing 1) | No | 1:3 | A | £127.42 | € 150.36 |
| KM6001-5A* | Male - 1" 3/8" DIN9611 (Drawing 1) | No | 1:3,5 | A | £127.42 | € 150.36 |
| KM6001-6A | Male - 1" 3/8" DIN9611 (Drawing 1) | No | 1:3,8 | A | £127.42 | € 150.36 |
| KM6002-1A | Female " 3/8" DIN 9611 (Drawing 3) | No | 1;1,5 | A | £133.53 | € 157.57 |
| KM6002-2A* | Female " 3/8" DIN 9611 (Drawing 3) | No | 1;2 | A | £133.53 | € 157.57 |
| KM6002-4A | Female " 3/8" DIN 9611 (Drawing 3) | No | 1;3 | A | £133.53 | € 157.57 |
| KM6002-5A | Female " 3/8" DIN 9611 (Drawing 3) | No | 1.3,5 | A | £133.53 | € 157.57 |
| KM6002-6A* | Female " 3/8" DIN 9611 (Drawing 3) | No | 1;3,8 | A | £133.53 | € 157.57 |
| KM6004-1A | Female 1" 3/8" DIN 9611 (Drawing 4) | Yes | 1;1,5 | A | £139.95 | € 165.14 |
| KM6004-2A | Female 1" 3/8" DIN 9611 (Drawing 4) | Yes | 1;2 | A | £139.95 | € 165.14 |
| KM6004-4A* | Female 1" 3/8" DIN 9611 (Drawing 4) | Yes | 1.3 | A | £139.95 | € 165.14 |
| KM6004-5A | Female 1" 3/8" DIN 9611 (Drawing 4) | Yes | 1;3,5 | A | £139.95 | € 165.14 |
| KM6004-6A* | Female 1" 3/8" DIN 9611 (Drawing 4) | Yes | 1;3,8 | A | £139.95 | € 165.14 |

*GENERALLY STOCKED
 Contact Us for custom specification.