

SPEED INCREASING GEARBOXES

FLOWFIT PTO GEARBOX KM600 SERIES GROUP 2 PUMP - 10KW

www.flowfitonline.com
TECH. DATA SHEET
0



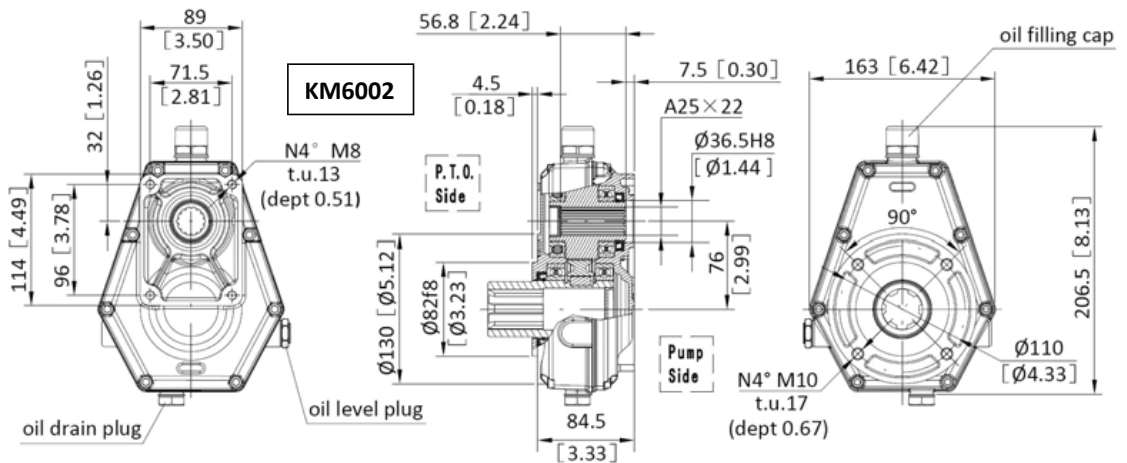
KM6001-4A



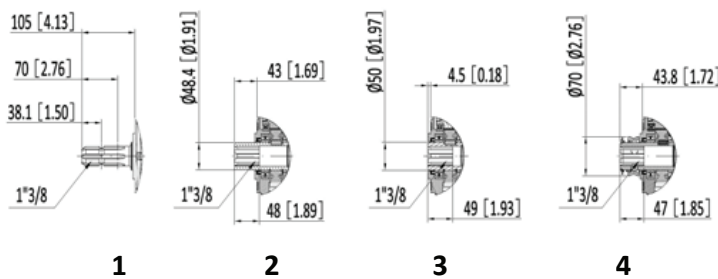
KM6001-5A



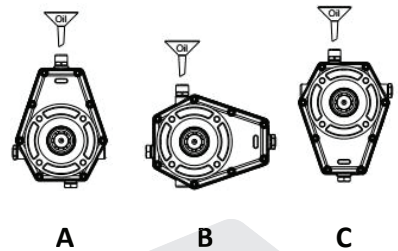
KM6002-6A



P.T.O.

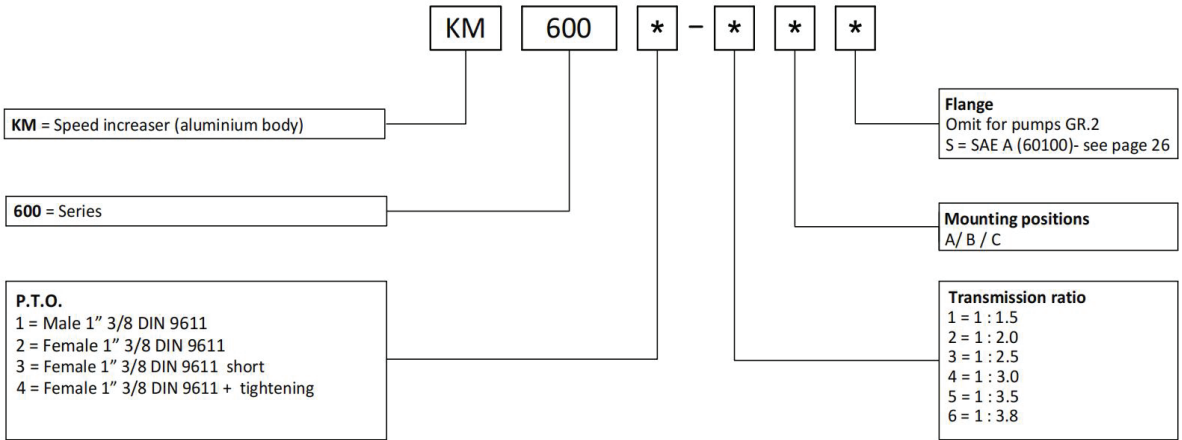


Mounting positions



TRANSMISSION RATIO	INPUT TORQUE (NM)	OUTPUT TORQUE (NM)	INPUT SPEED (R/MIN)	OUTPUT SPEED (R/MIN)	POWER (KW)	WEIGHT (KG)
1.5	178	119	540	810	10	5.8
2	152	76	540	1080	10	5.8
2.5	165	66	540	1350	10	5.8
3	180	55	540	1680	10	5.8
3.5	186	58	540	1836	10	5.8
3.8	159	42	540	2052	10	5.8

How to order:



For example: KM6001-1AS

FLOWFIT FLOWFIT PTO GEARBOX KM600 SERIES - GROUP 2 PUMP - 10KW						
PRODUCT NO.	SHAFT	QUICK RELEASE	RATIO	MOUNTING POSITION	NETT. PRICE	
					£ STERLING	€ EUROS
KM6001-1A	Male - 1" 3/8" DIN9611 (Drawing 1)	No	1:1,5	A	£127.42	€ 150.36
KM6001-2A	Male - 1" 3/8" DIN9611 (Drawing 1)	No	1:2	A	£127.42	€ 150.36
KM6001-4A*	Male - 1" 3/8" DIN9611 (Drawing 1)	No	1:3	A	£127.42	€ 150.36
KM6001-5A*	Male - 1" 3/8" DIN9611 (Drawing 1)	No	1:3,5	A	£127.42	€ 150.36
KM6001-6A	Male - 1" 3/8" DIN9611 (Drawing 1)	No	1:3,8	A	£127.42	€ 150.36
KM6002-1A	Female " 3/8" DIN 9611 (Drawing 3)	No	1;1,5	A	£133.53	€ 157.57
KM6002-2A*	Female " 3/8" DIN 9611 (Drawing 3)	No	1;2	A	£133.53	€ 157.57
KM6002-4A	Female " 3/8" DIN 9611 (Drawing 3)	No	1;3	A	£133.53	€ 157.57
KM6002-5A	Female " 3/8" DIN 9611 (Drawing 3)	No	1.3.5	A	£133.53	€ 157.57
KM6002-6A*	Female " 3/8" DIN 9611 (Drawing 3)	No	1;3,8	A	£133.53	€ 157.57
KM6004-1A	Female 1" 3/8" DIN 9611 (Drawing 4)	Yes	1;1,5	A	£139.95	€ 165.14
KM6004-2A	Female 1" 3/8" DIN 9611 (Drawing 4)	Yes	1;2	A	£139.95	€ 165.14
KM6004-4A*	Female 1" 3/8" DIN 9611 (Drawing 4)	Yes	1.3	A	£139.95	€ 165.14
KM6004-5A	Female 1" 3/8" DIN 9611 (Drawing 4)	Yes	1;3,5	A	£139.95	€ 165.14
KM6004-6A*	Female 1" 3/8" DIN 9611 (Drawing 4)	Yes	1;3,8	A	£139.95	€ 165.14

*GENERALLY STOCKED
Contact Us for custom specification.