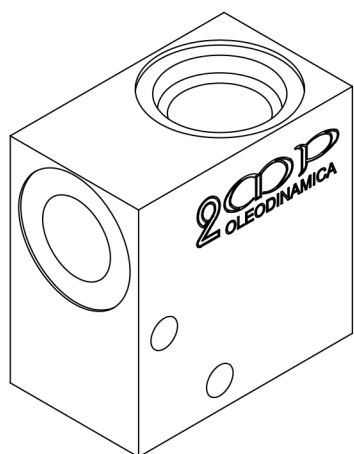
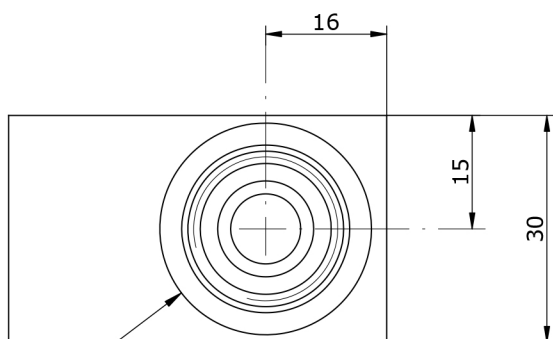
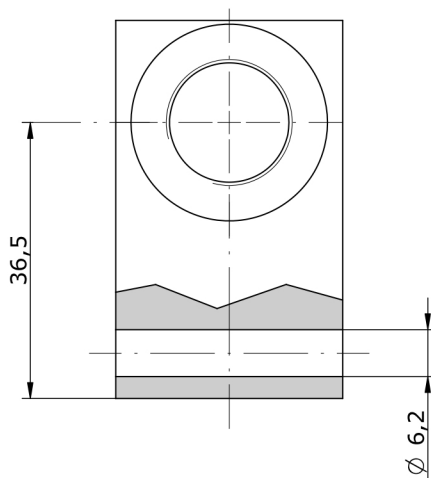
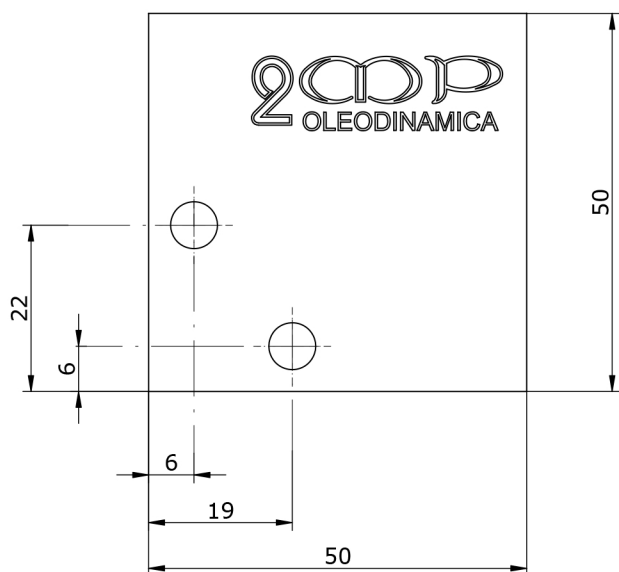
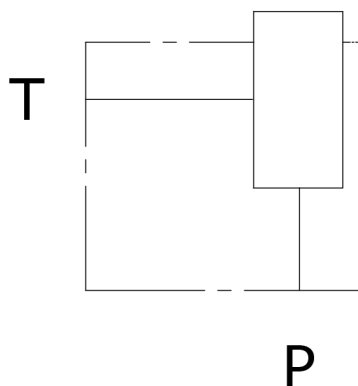


COLLETTORE PER VALVOLA 3/4-16 UNF, P-T 1/4" (3/8") BSP PER S08
HOUSING FOR 3/4-16 UNF, P-T 1/4" (3/8") BSP FOR S08



Schema idraulico
Hydraulic diagram



C007

HS_ 06 - ___ - 10

S = STEEL
A = ALUMINUM

14 = BSP 1/4G
38 = BSP 3/8G