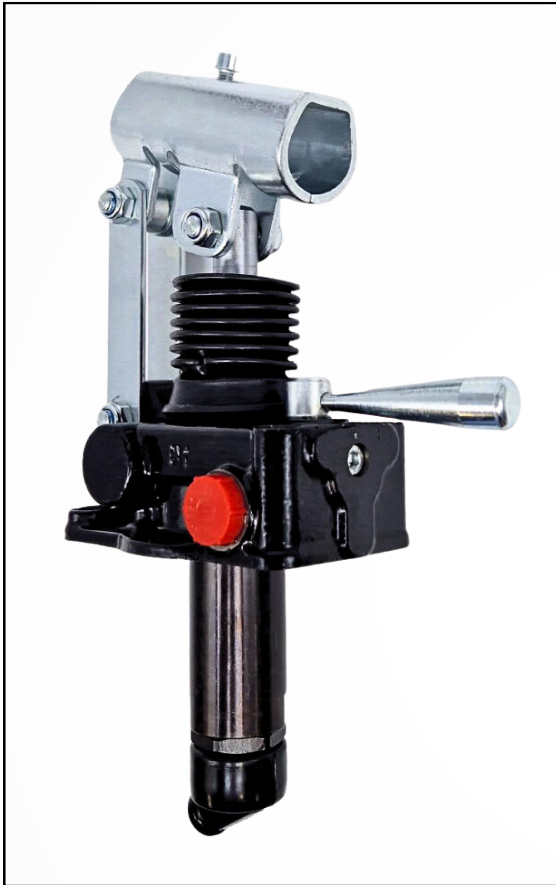


PMD25 RANGE



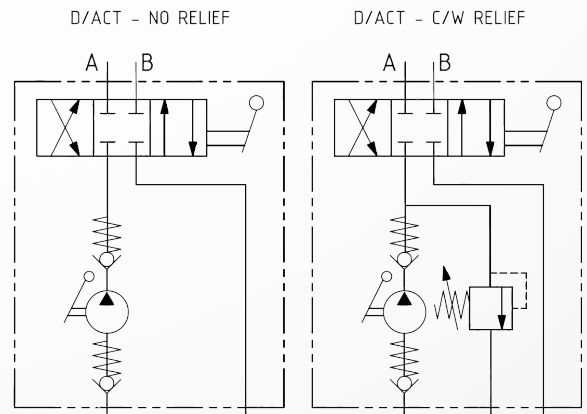
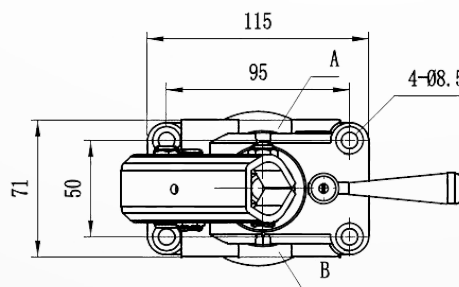
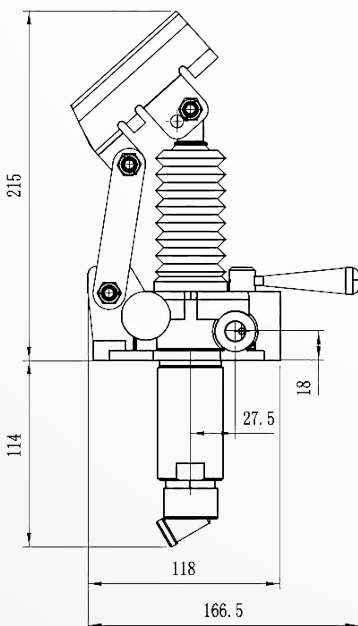
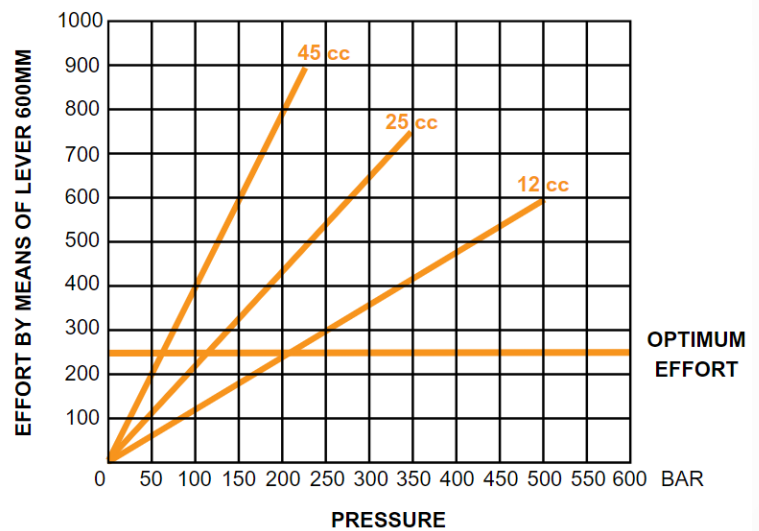
Flowfit 25cc Double Acting Hand Pump
For Double Acting Cylinder, With/Without Relief Valve.
Comes With Oil Tank Mounting Kit and Suction Pipe.

- PMD25-S-FF - Without Relief Valve
- PMD25-BYB-S-FF - With Relief Valve



SPECIFICATIONS

- 3/8" BSP Port Size
- Max working pressure: 350 Bar
- Internal Leakage: < 2 drops/min at 138 bar
- Filtration of oil: 25 Micron or better
- Temperature: -30 - 110°C
- Flow: 25cc Hand Pump
UP - 13.4 cm³ DOWN - 11.6cm³
- Double stroke operation



FLOWFIT® Technical Data

700 Series Standard Hydraulic Cylinders



CHARACTERISTICS

- Maximum working pressure: 200 bar
- Maximum testing pressure: 300 bar
- Maximum working speed: 0.5 m/s
- Working temperature: -30 °C to +90 °C
- Oil: mineral hydraulic

MATERIALS

- Rod: chrome plated steel F-1140, minimum chrome layer thickness 20 micron, roughness Ra < 0,2, minimum surface hardness 900 HV, corrosion resistance minimum 200 hours in neutral saline fog according to ISO9227 rating 9
- Tube: steel ST-52-3, DIN 2393, inside diameter tolerance ISO H9, roughness Ra <0,8 micron.
- Guide-bushing: steel F-1140 nitrated (nitride hardening)
- Piston: steel F-1140

SEALS

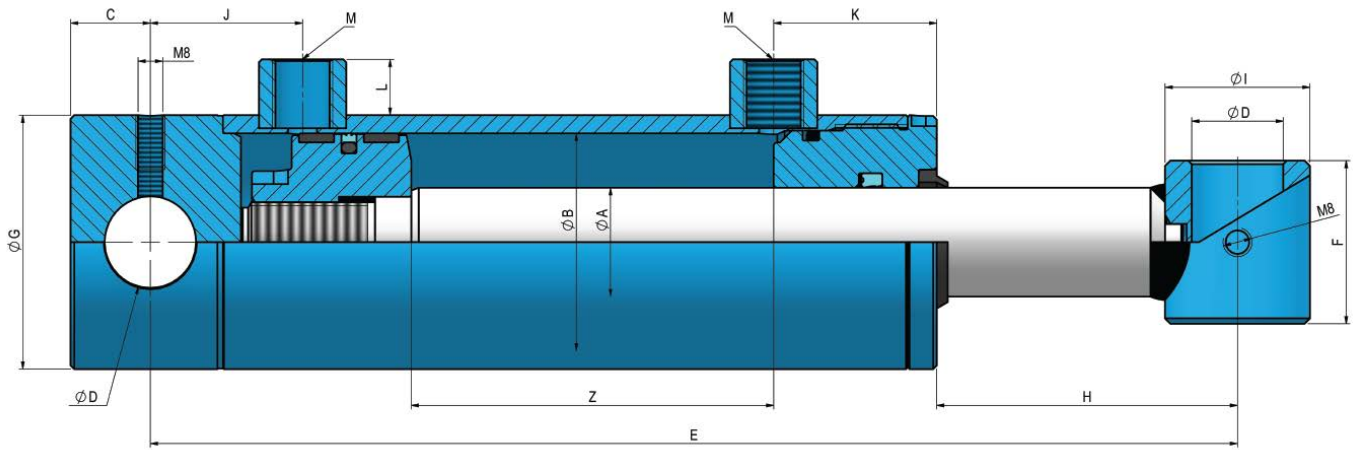
- Guide-bushing:
 - Dynamic: compact polyurethane rod-seal, double lip. NBR metal wiper seal
 - Static: NBR 90 shore o-ring
- Piston:
 - Dynamic: compact double-acting polyurethane seal, plus nitrile o-ring as activator
Special polyacetal guides reinforced with glass fibre.
 - Static: polyamide locking sealing guide

FINISHING

Black prime painting

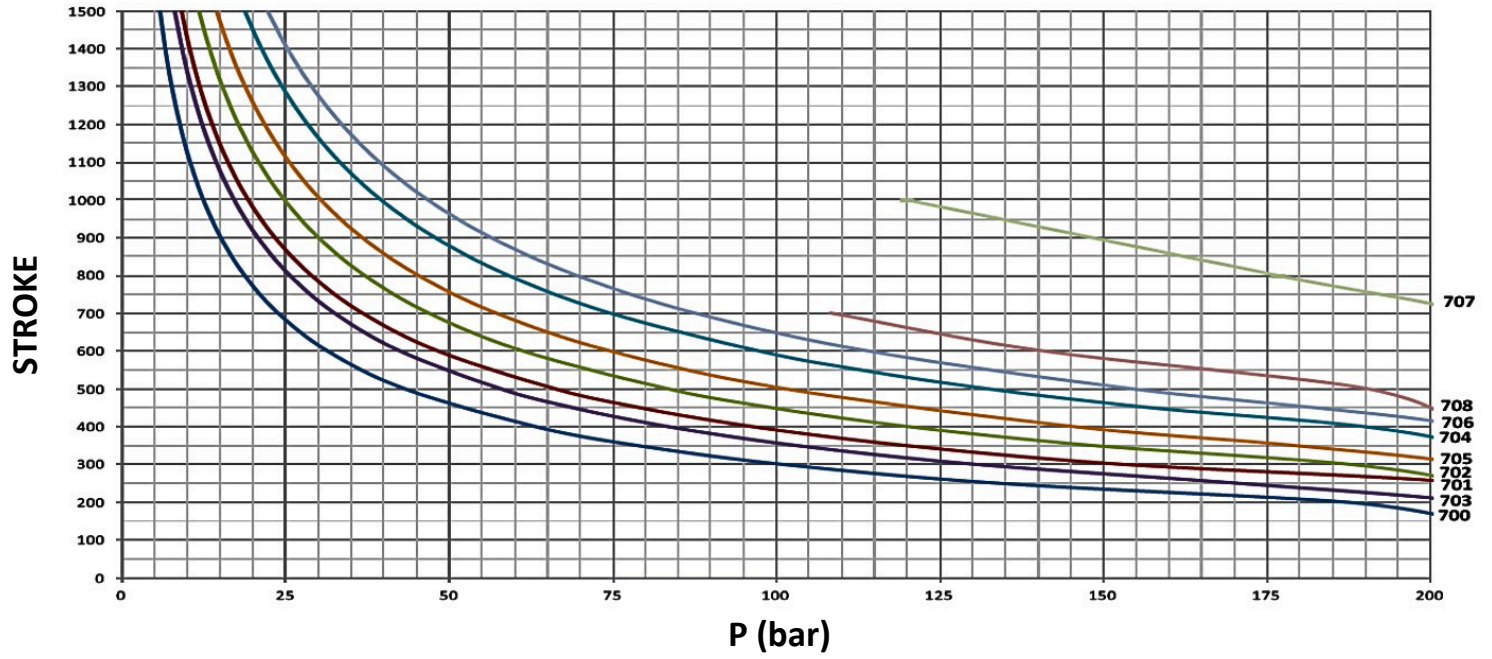
RECOMMENDATIONS

- Protect the cylinder circuit with a relief valve set at 200 bar
- Check the oil cleanness (pollution), and prevent it from having strange objects (place a filter on the cylinder circuit)
- Bleed the circuit by slightly loosening the cylinder fittings before starting-up
- Do not weld on the cylinder tube
- Before welding on the rod or on the bottom, please dismount the cylinder. - In case you need to store the cylinders for a long period of time, please avoid outdoor storage. If not possible, the rod must be completely retracted or it must be greased instead
- For high-pressure cleaning or blasting on the cylinder, the rod and the oil-ports must be suitably protected.
- For double-acting cylinders working as single acting, we recommend to connect the non-used oil-port to tank
- In case you need to dismount the cylinder, please note that the piston is screwed onto the rod end and fixed with industrial glue, so you must use also industrial glue when mounting again



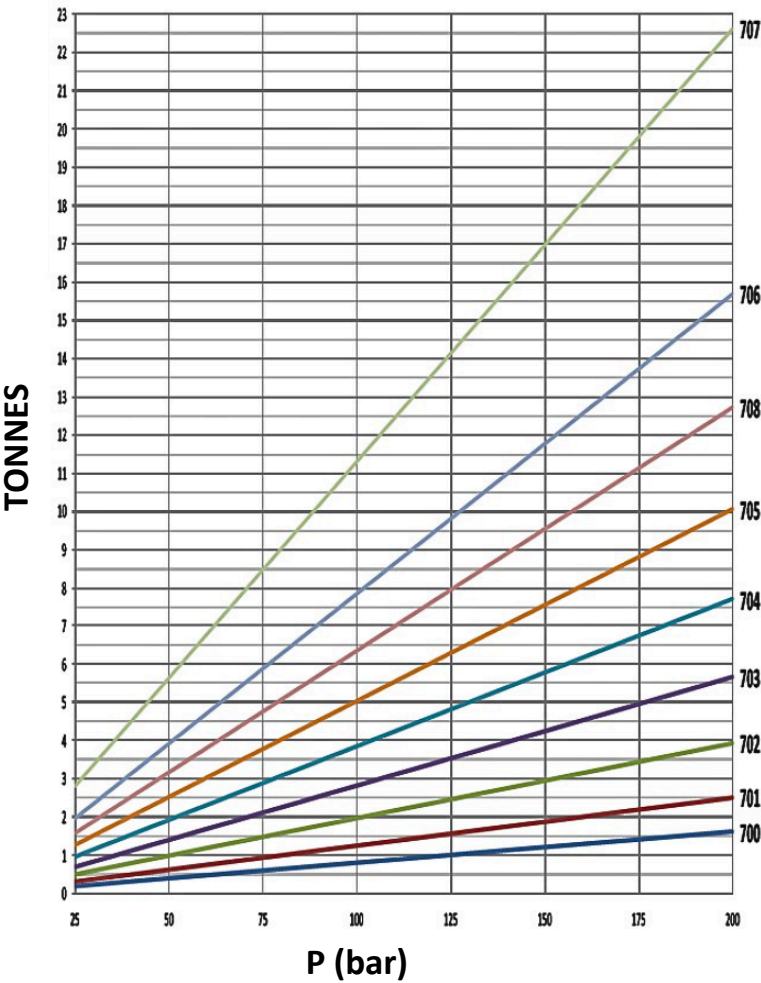
SERIES 700																	
REF.	ØA	ØB	STROKE z	E	C	D	F	G	H	I	J	K	L	M BSP	VOL (L)	SEALS JOINTS	WEIGHT (kg)
701/1	25	40	100	270	17.5	20.25	40	50	64.5	35	37.5	40	15	3/8	0.13	J71N	2.9
701/150	25	40	150	320	17.5	20.25	40	50	64.5	35	37.5	40	15	3/8	0.19	J71N	3.4
701/2	25	40	200	370	17.5	20.25	40	50	64.5	35	37.5	40	15	3/8	0.25	J71N	3.8
701/250	25	40	250	420	17.5	20.25	40	50	64.5	35	37.5	40	15	3/8	0.31	J71N	4.4
701/3	25	40	300	470	17.5	20.25	40	50	64.5	35	37.5	40	15	3/8	0.38	J71N	4.7
701/350	25	40	350	520	17.5	20.25	40	50	64.5	35	37.5	40	15	3/8	0.44	J71N	5.3
701/4	25	40	400	570	17.5	20.25	40	50	64.5	35	37.5	40	15	3/8	0.50	J71N	5.7
701/450	25	40	450	620	17.5	20.25	40	50	64.5	35	37.5	40	15	3/8	0.57	J71N	6.2
701/5	25	40	500	670	17.5	20.25	40	50	64.5	35	37.5	40	15	3/8	0.63	J71N	6.6
701/600	25	40	600	770	17.5	20.25	40	50	64.5	35	37.5	40	15	3/8	0.75	J71N	7.6
701/700	25	40	700	870	17.5	20.25	40	50	64.5	35	37.5	40	15	3/8	0.88	J71N	8.6
701/800	25	40	800	970	17.5	20.25	40	50	64.5	35	37.5	40	15	3/8	1.01	J71N	9.5
701/900	25	40	900	1070	17.5	20.25	40	50	64.5	35	37.5	40	15	3/8	1.13	J71N	10.5
701/1000	25	40	1000	1170	17.5	20.25	40	50	64.5	35	37.5	40	15	3/8	1.26	J71N	11.5
701/1100	25	40	1100	1270	17.5	20.25	40	50	64.5	35	37.5	40	15	3/8	1.38	J71N	12.3
701/1200	25	40	1200	1370	17.5	20.25	40	50	64.5	35	37.5	40	15	3/8	1.51	J71N	13.3
701/1300	25	40	1300	1470	17.5	20.25	40	50	64.5	35	37.5	40	15	3/8	1.63	J71N	14.2
701/1400	25	40	1400	1570	17.5	20.25	40	50	64.5	35	37.5	40	15	3/8	1.76	J71N	15.2
701/1500	25	40	1500	1670	17.5	20.25	40	50	64.5	35	37.5	40	15	3/8	1.89	J71N	16.1

BUCKLING

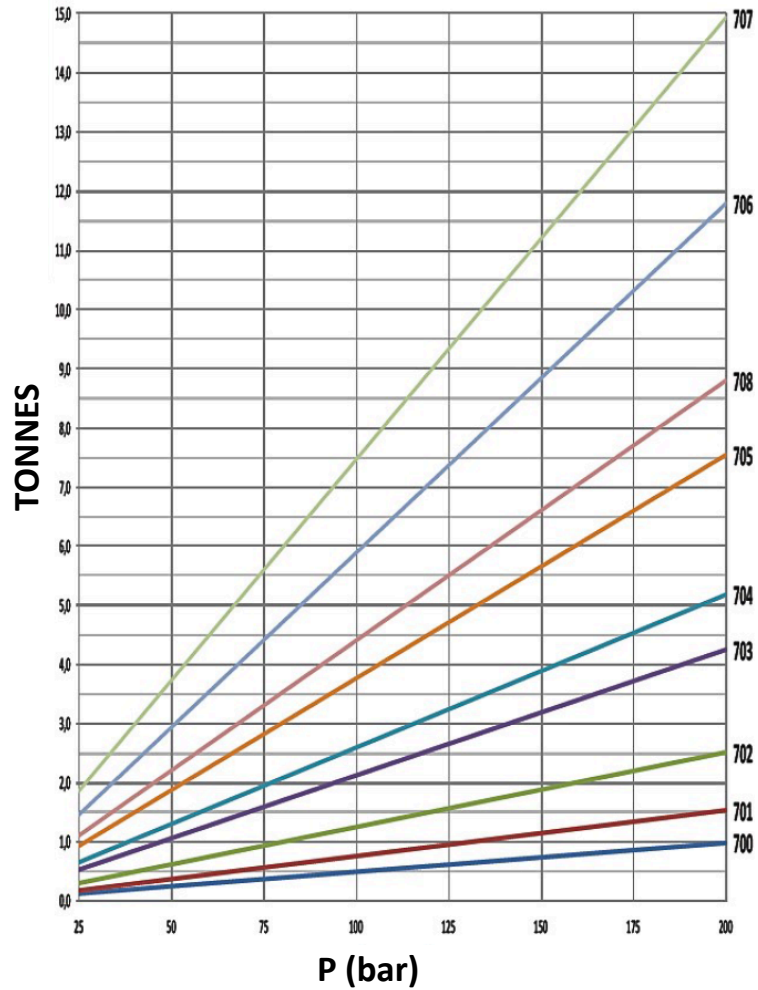


Data calculated according to euler. Safety coefficient 3.5

UPWARD THRUST



TRACTIVE EFFORT

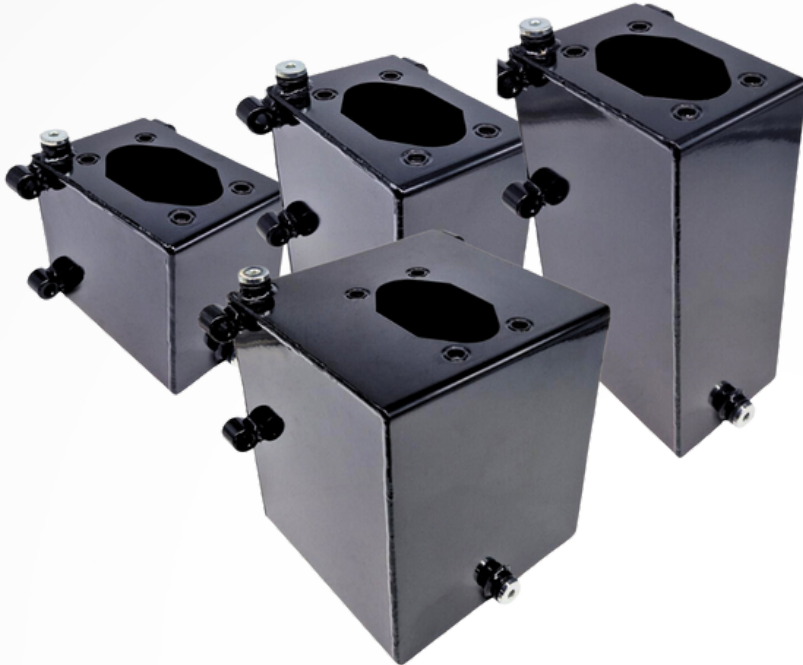


ACCESSORIES



Steel Oil Tank

Painted Black Finish, Capacity Available From 1-5 Litres.
Comes With Breather Cap and Drain Plug.



SPECIFICATIONS

- Breather cap 1/4 G
- Drain plug 1/4 G
- Standard colour black

Size	Length mm	Width mm	Height m	Mass KG	Suction Pipe	SKU Code
1 Litre	100	150	120	2.2	ø 10x85 mm	S1AC-R1LFF
2 Litre	100	150	185	3.0	ø 10x114 mm	S2AC-R2LFF
3 Litre	100	150	255	3.7	ø 10x180 mm	S3AC-R3LFF
5 Litre	175	175	200	5.3	ø 10x156 mm	S5AC-R5LFF

Straight Handpump Lever



Length	SKU Code
600mm	LT27X600FF