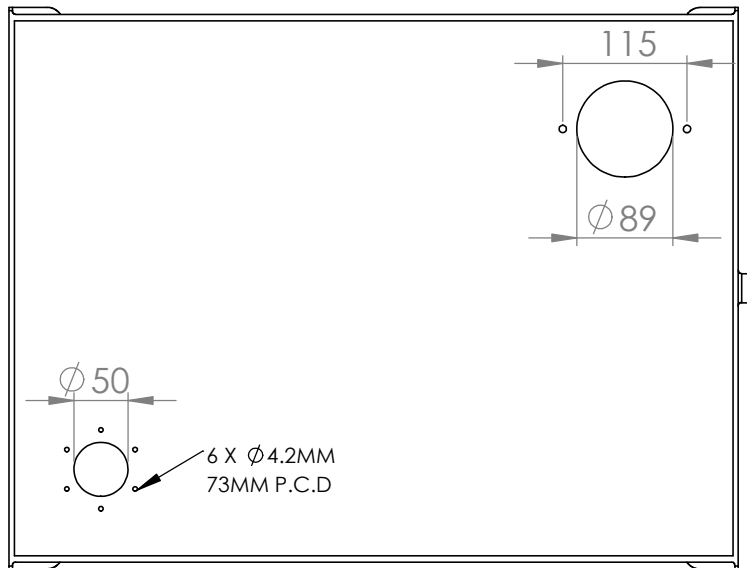


4 3 2 1

F

F



E

E

D

D



C

C

B

B

**FLOWFIT**<sup>®</sup>

**MANUFACTURERS AND SUPPLIERS OF HYDRAULIC COMPONENTS**

DESCRIPTION:	
ALL MEASUREMENTS IN MM	
PART NO.	A4
HF100KIT	
SCALE: 1:7	SHEET 1 OF 1

A

A

4 3 2 1