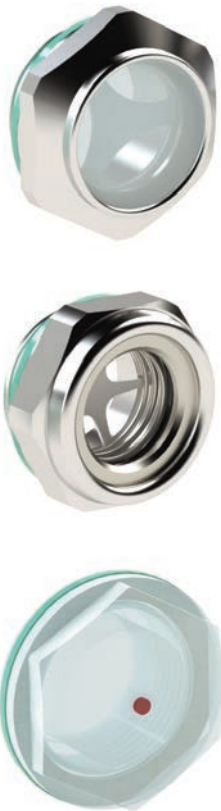




## FLS SERIES

Oil sight gauges

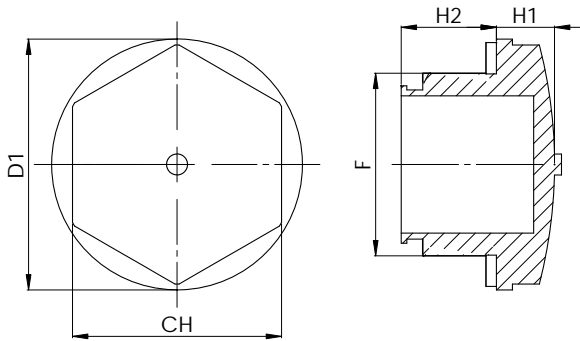
FLS is a range of compact oil sight gauges for monitoring the fluid level in the tank. They are directly fitted on the tank side. Several configurations can be selected to meet every condition: sizes, body, and lens materials.



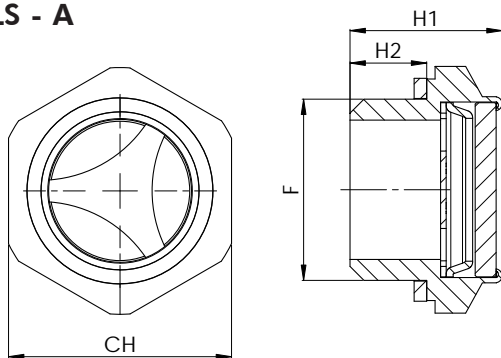
PRESSURE:	Max operating: up to 5 bar (20 bar for FLSV)
FIXING SCREWS:	Metric – tightening torque 10 Nm
MAX WORKING TEMPERATURE :	- 10° C + 100° C (+ 130° C for FLSV)
MATERIALS:	<p><b>for FLSP version</b>            Body: Polyamide            Lens: Polyamide            Seals: Flat fiber gasket</p> <p><b>for FLSA version</b>            Body: Aluminium alloy            Lens: Polyamide            Seals: Flat fiber gasket</p> <p><b>for FLSV version</b>            Body: Aluminium alloy            Lens: Glass            Seals: Flat fiber gasket</p>
FLUID COMPATIBILITY:	<p>Full with HH-HL-HM-HV-HETG-HEES            (acc. to ISO 6743/4).            For use with other fluid please contact Filtrac            Customer Service (info@filtrac.it).</p>

## OVERALL DIMENSIONS

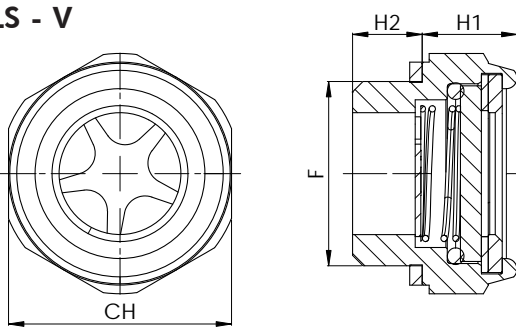
### FLS - P



### FLS - A



### FLS - V



## NOMINAL SIZE

CODE	F	CH	D1	H1	H2	CONN. CODE	WEIGHT GR.
FLSPB1	G1/4	17	20,5	8,5	8,5	B1	2,9
FLSPB2	G3/8	18	22	7	12	B2	3,7
FLSPB3	G1/2	24	28	8	12,5	B3	6,25
FLSPB4	G3/4	30	36	9	14	B4	9
FLSPB5	G1	36	42	10	14	B5	14,9
FLSPB6	G1 1/4	42	51	10	17,5	B6	19
FLSPB7	G1 1/2	50	58	9,5	22	B7	25
FLSPB8	G2	64	74	12,2	20,5	B8	46
FLSPM14	M14X1,5	17	20	8,5	9,5	M14	2
FLSPM16	M16X1,5	18	22	7	13	M16	3
FLSPM18	M18X1,5	21	25,5	6	12,5	M18	3
FLSPM20	M20X1,5	24	28	7,5	12	M20	5
FLSPM22	M22X1,5	24	28	7,5	12	M22	5,1
FLSPM26	M26X1,5	30	36	9	13,5	M26	9,1
FLSPM27	M27X1,5	30	36	9	13,5	M27	10
FLSPM40	M40X1,5	42	51	10	17,5	M40	20
FLSAB1	G1/4	17	-	18,8	8	B1	5
FLSAB2	G3/8	22	-	18	9	B2	9
FLSAB3	G1/2	27	-	20	9	B3	15
FLSAB4	G3/4	32	-	22	11	B4	22,5
FLSAB5	G1	40	-	22	10	B5	35
FLSAB6	G1 1/4	50	-	27	12	B6	60
FLSAB7	G1 1/2	55	-	26	13	B7	80
FLSAM14	M14X1,5	17	-	17	8	M14	5
FLSAM16	M16X1,5	22	-	18	9	M16	8,5
FLSAM18	M18X1,5	22	-	18	9	M18	14
FLSAM20	M20X1,5	24	-	21	10	M20	12
FLSAM22	M22X1,5	27	-	20	9	M22	15
FLSAM24	M24X1,5	30	-	24	11	M24	22,5
FLSVB3	G1/2	30	-	10	9	B3	16
FLSVB4	G3/4	35	-	12,5	10	B4	29
FLSVB5	G1	42,5	-	13	10	B5	50
FLSVM20	M10X1,5	30	-	10	9	M20	16
FLSVM33	M33X1,5	42,5	-	13	10	M33	50

## ORDERING INFORMATION

1.            2.            3.

<b>FLS</b>	<b>P</b>	<b>B2</b>
------------	----------	-----------

1. SERIES	FLS
-----------	-----

		BODY	LENS
2. SIZE	P	Polyamide	
	A	Aluminium	Polyamide
	V	Aluminium	Natural glass

### 3. CONNECTIONS

FOR FLSP	
B1	G 1/4"
B2	G 3/8"
B3	G 1/2"
B4	G 3/4"
B5	G 1"
B6	G 1 1/4"
B7	G 1 1/2"
B8	G 2"
M14	M14x1,5
M16	M16X1,5
M18	M18X1,5
M20	M20X1,5
M22	M22X1,5
M26	M26X1,5
M27	M27X1,5
M40	M40X1,5

FOR FLSA	
B1	G 1/4"
B2	G 3/8"
B3	G 1/2"
B4	G 3/4"
B5	G 1"
B6	G 1 1/4"
B7	G 1 1/2"
M14	M14x1,5
M16	M16X1,5
M18	M18X1,5
M20	M20X1,5
M22	M22X1,5
M24	M24X1,5

FOR FLSV	
B3	G 1/2"
B4	G 3/4"
B5	G 1"
M20	M20X1,5
M33	M33X1,5

