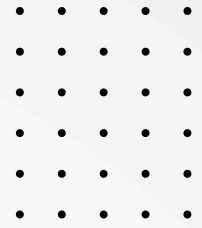
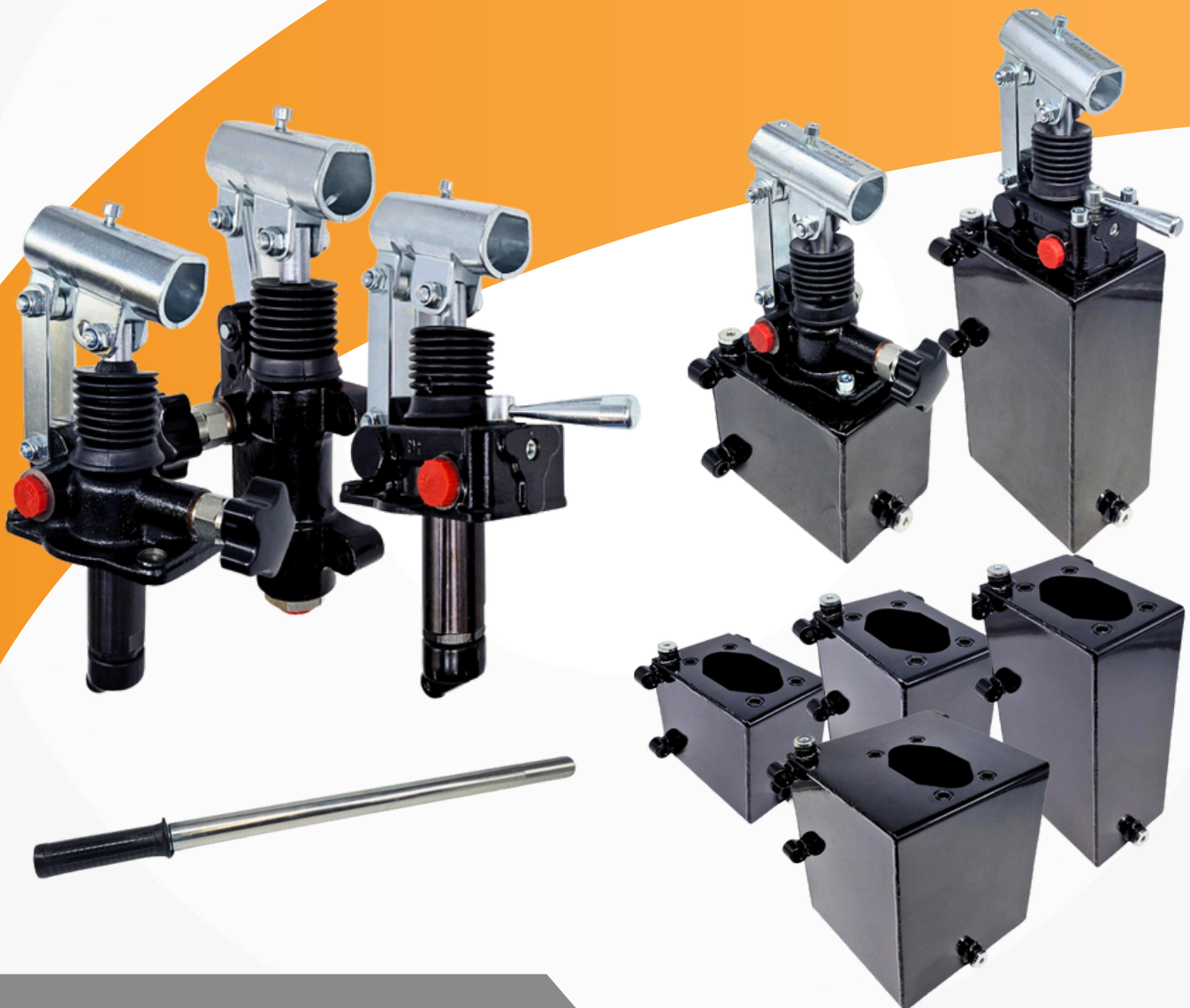


FLOWFIT®



HYDRAULIC HAND PUMPS



**Huge Stocks, Amazing Quality
Best Prices!**

MANUFACTURERS AND SUPPLIERS
OF HYDRAULIC COMPONENTS

FLOWFIT®



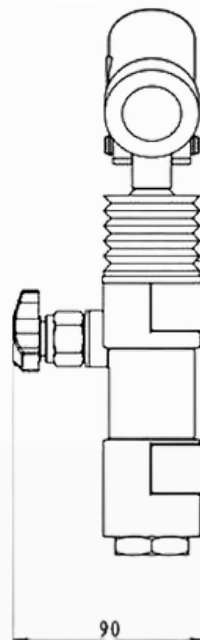
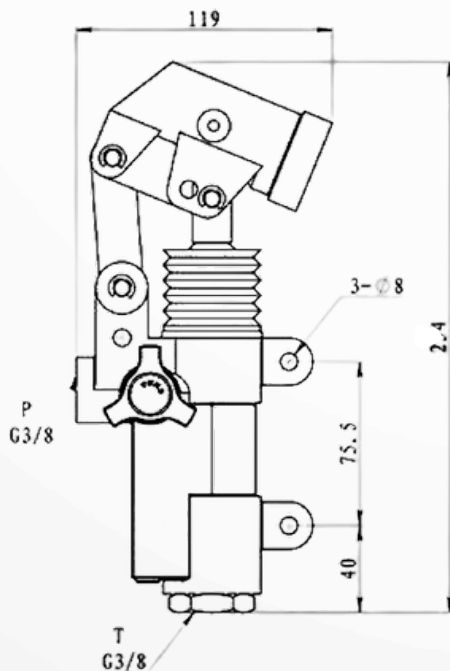
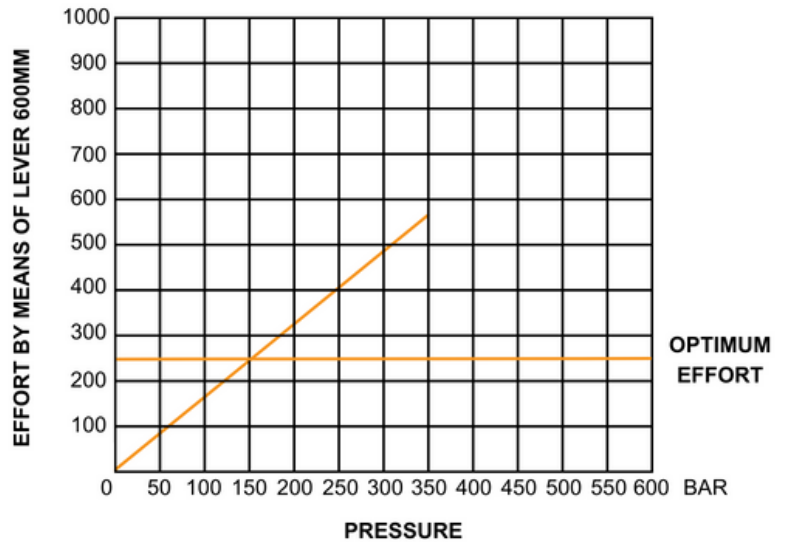
PMP20SFF

Flowfit Inline 20cc Single Acting Hand Pump
For Single Acting Cylinder, Wall Fixing.
Pump Includes Release Hand Knob, Without Relief Valve.

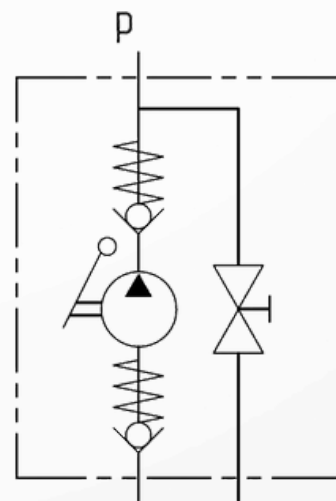


SPECIFICATIONS

- 3/8" BSP Port Size
- Max working pressure: 350 Bar
- Internal Leakage: <2 drops/min at 138 bar
- Filtration of oil: 25 Micron or better
- Temperature -30 - +110°C
- Flow: 20cc Hand Pump
UP - 10.8 cm³ DOWN - 9.2cm³
- Double stroke operation



S/ACT - NO RELIEF



PM12 RANGE



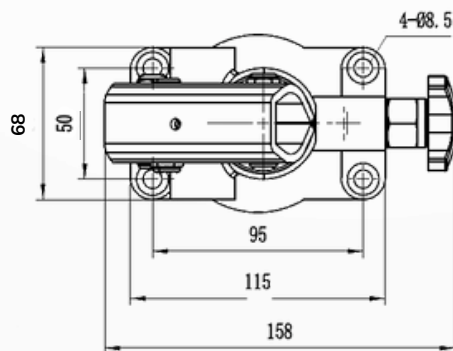
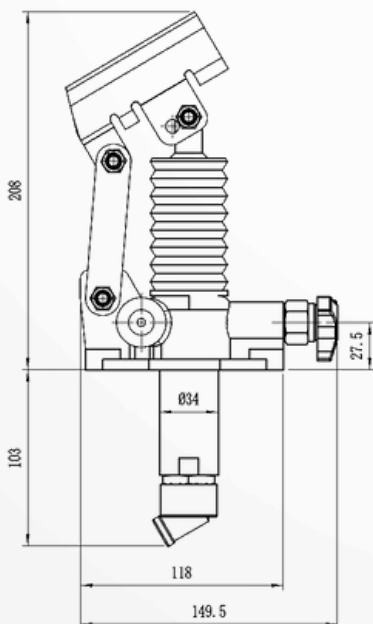
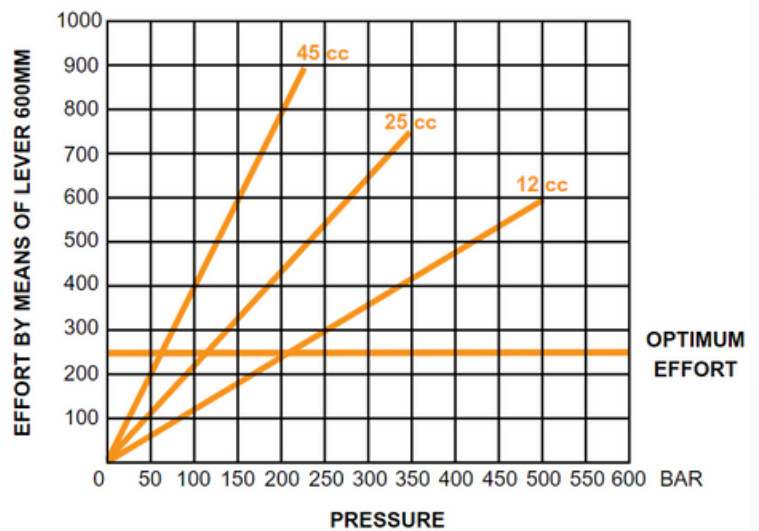
Flowfit 12cc Single Acting Hand Pump
For Single Acting Cylinder, With Relief Valve.
Comes With Oil Tank Mounting Kit and Suction Pipe.

- PM12-S-FF- Without Relief Valve
- PM12-BYB-S-FF - With Relief Valve

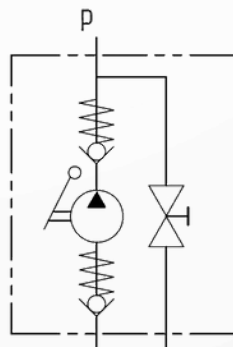


SPECIFICATIONS

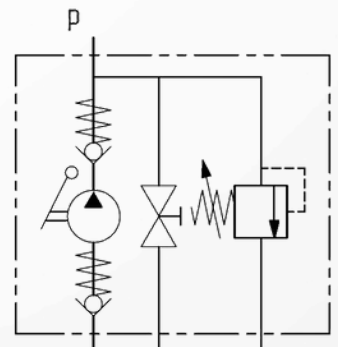
- 3/8" BSP Port Size
- Max working pressure: 300 Bar
- Internal Leakage: < 2 drops/min at 138 bar
- Filtration of oil: 25 Micron or better
- Temperature: -30 - 110°C
- Flow: 12cc Hand Pump
- Double stroke operation



S/ACT - NO RELIEF



S/ACT - C/W RELIEF





PM25 RANGE

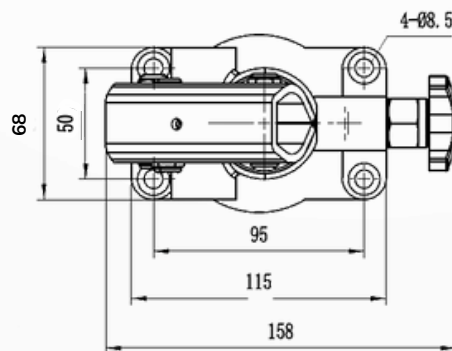
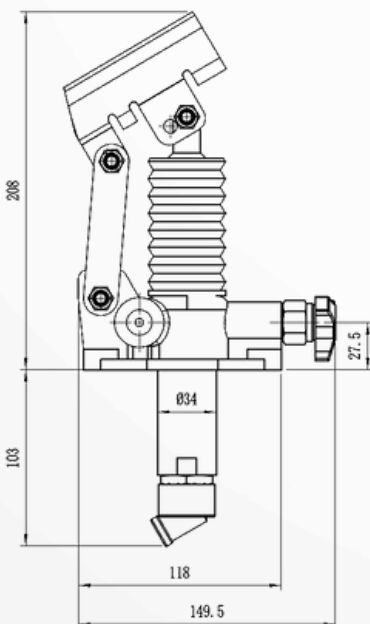
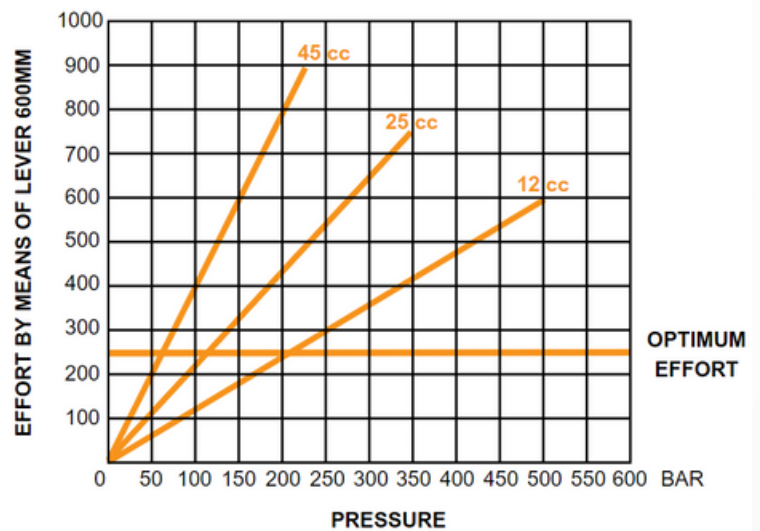
Flowfit 25cc Single Acting Hand Pump
For Single Acting Cylinder, With Relief Valve.
Comes With Oil Tank Mounting Kit and Suction Pipe.

- PM25-S-FF- Without Relief Valve
- PM25-BYB-S-FF - With Relief Valve

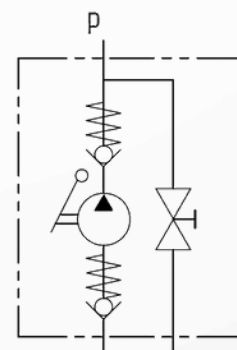


SPECIFICATIONS

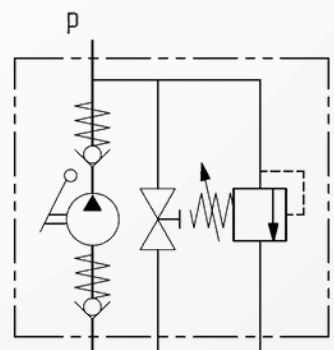
- 3/8" BSP Port Size
- Max working pressure: 300 Bar
- Internal Leakage: < 2 drops/min at 138 bar
- Filtration of oil: 25 Micron or better
- Temperature: -30 - 110°C
- Flow: 25cc Hand Pump
UP - 13.4 cm³ DOWN - 11.6cm³
- Double stroke operation



S/ACT - NO RELIEF



S/ACT - C/W RELIEF



PM45 RANGE



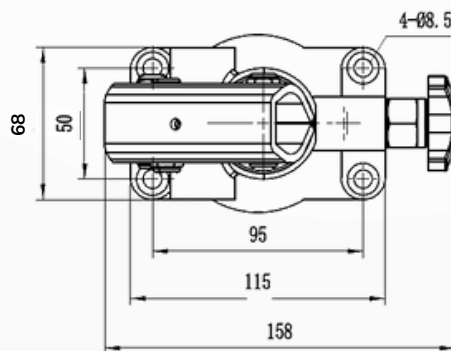
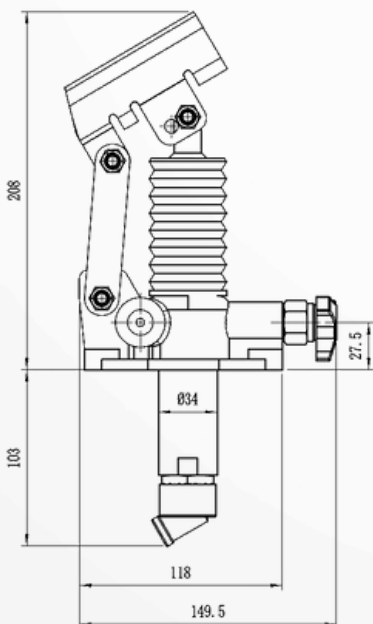
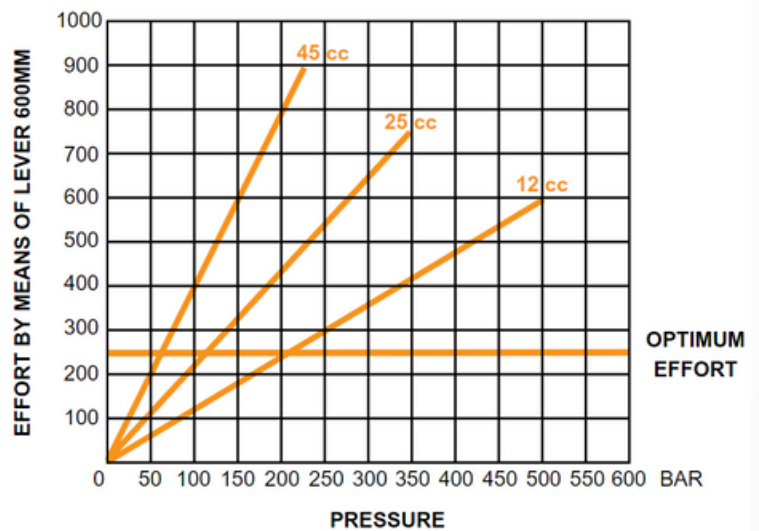
Flowfit 45cc Single Acting Hand Pump
For Single Acting Cylinder, With Relief Valve.
Comes With Oil Tank Mounting Kit and Suction Pipe.

- PM45-S-FF- Without Relief Valve
- PM45-BYB-S-FF - With Relief Valve

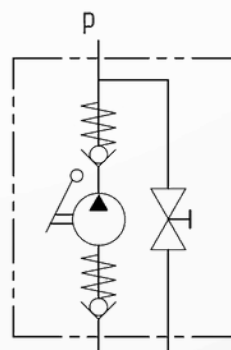


SPECIFICATIONS

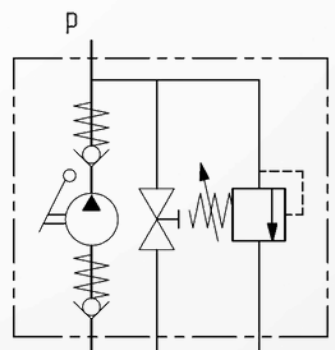
- 3/8" BSP Port Size
- Max working pressure: 300 Bar
- Internal Leakage: < 2 drops/min at 138 bar
- Filtration of oil: 25 Micron or better
- Temperature: -30 - 110°C
- Flow: 45cc Hand Pump
UP - 23.7 cm³ DOWN - 21.3cm³
- Double stroke operation



S/ACT - NO RELIEF



S/ACT - C/W RELIEF

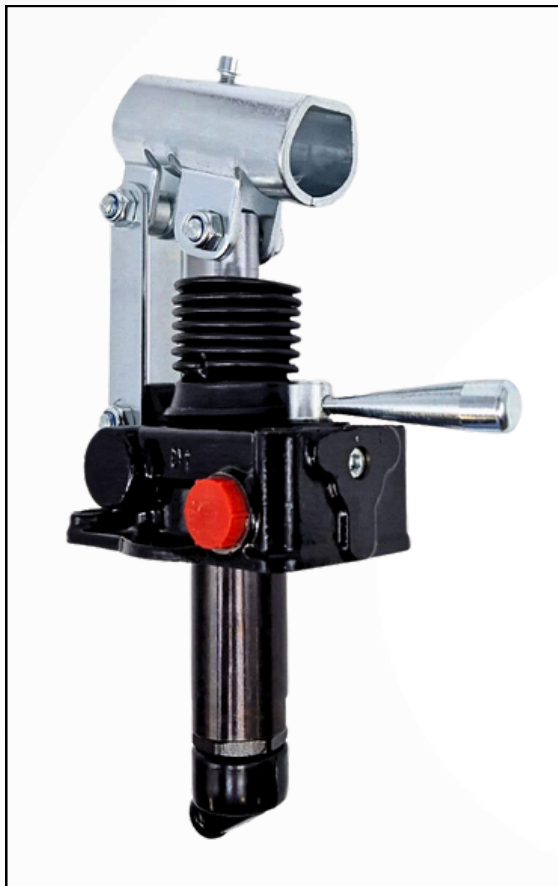




PMD12 RANGE

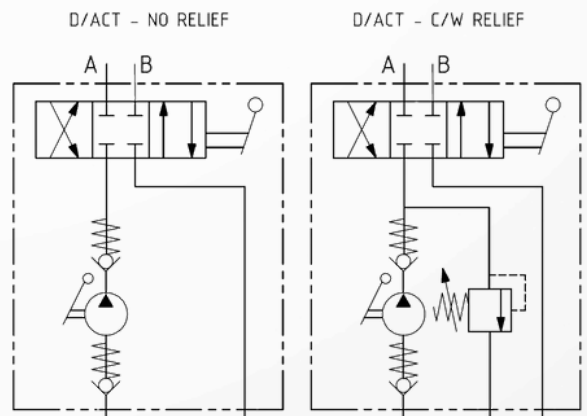
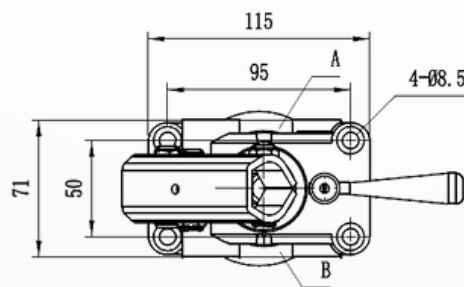
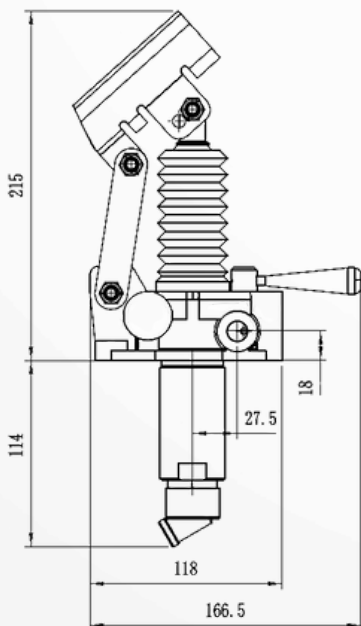
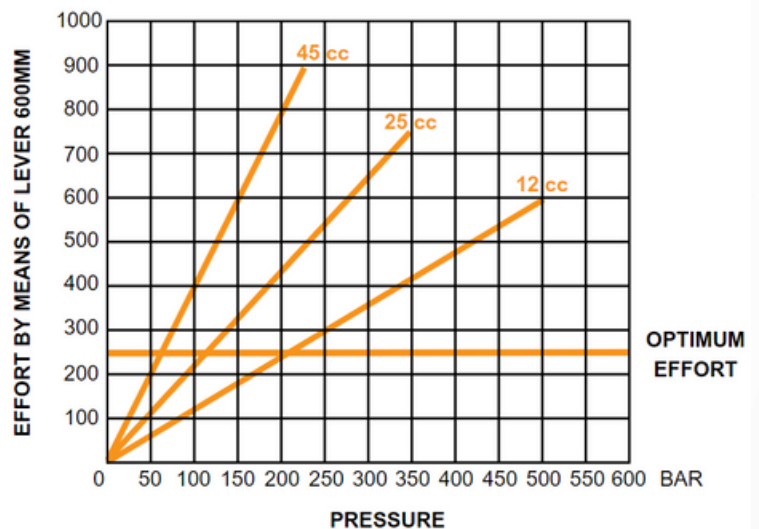
Flowfit 12cc Double Acting Hand Pump
For Double Acting Cylinder, With/Without Relief Valve.
Comes With Oil Tank Mounting Kit and Suction Pipe.

- PMD12-S-FF - Without Relief Valve
- PMD12-BYB-S-FF - With Relief Valve



SPECIFICATIONS

- 3/8" BSP Port Size
- Max working pressure: 350 Bar
- Internal Leakage: < 2 drops/min at 138 bar
- Filtration of oil: 25 Micron or better
- Temperature: -30 - 110°C
- Flow: 12cc Hand Pump
- Double stroke operation

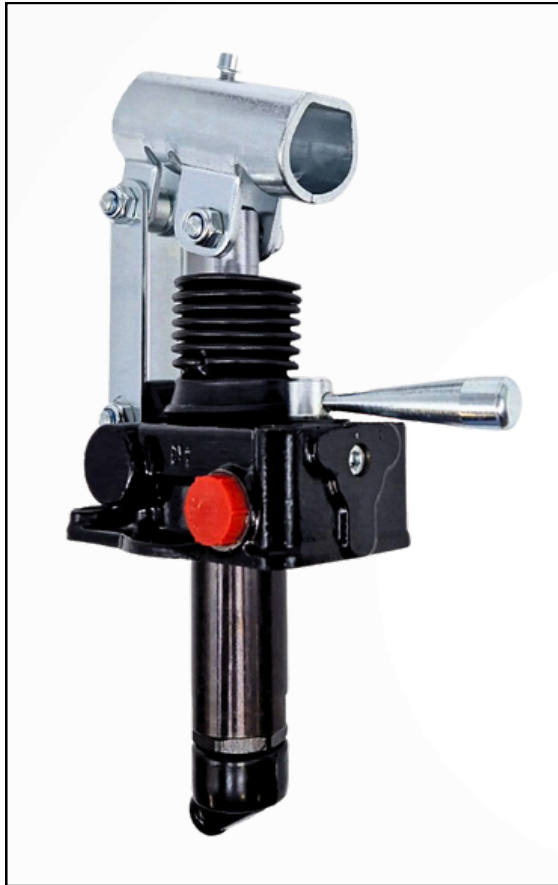


PMD25 RANGE



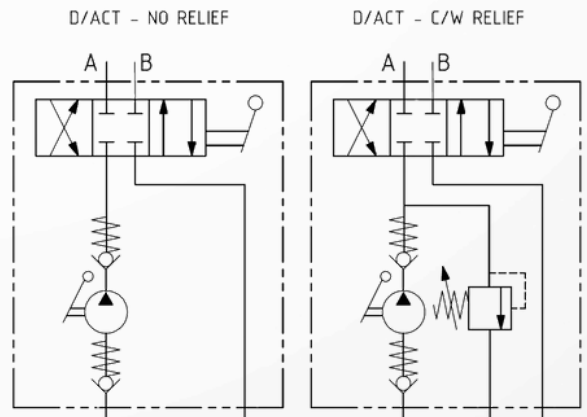
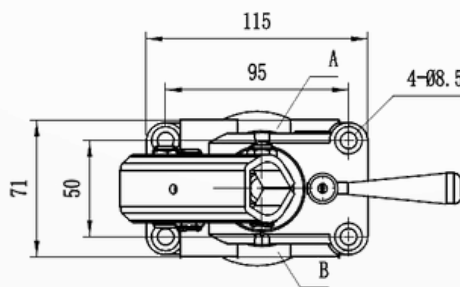
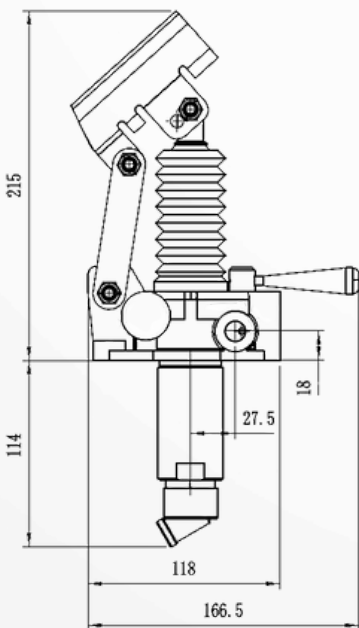
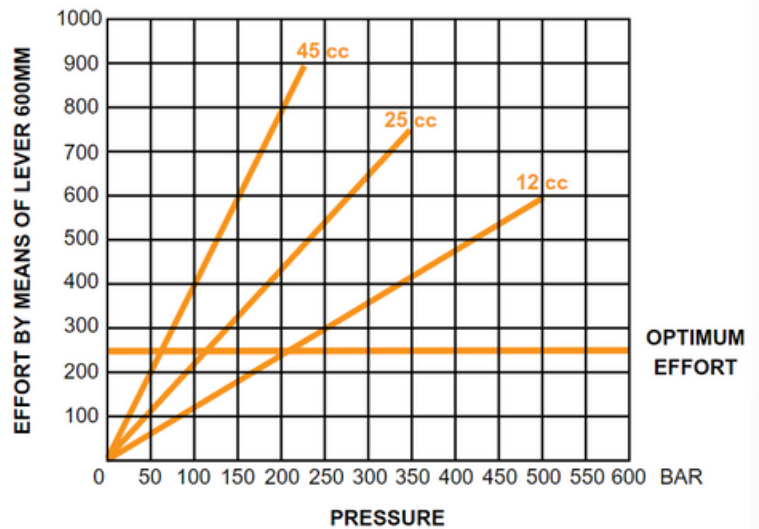
Flowfit 25cc Double Acting Hand Pump
For Double Acting Cylinder, With/Without Relief Valve.
Comes With Oil Tank Mounting Kit and Suction Pipe.

- PMD25-S-FF - Without Relief Valve
- PMD25-BYB-S-FF - With Relief Valve



SPECIFICATIONS

- 3/8" BSP Port Size
- Max working pressure: 350 Bar
- Internal Leakage: < 2 drops/min at 138 bar
- Filtration of oil: 25 Micron or better
- Temperature: -30 - 110°C
- Flow: 25cc Hand Pump
UP - 13.4 cm³ DOWN - 11.6cm³
- Double stroke operation

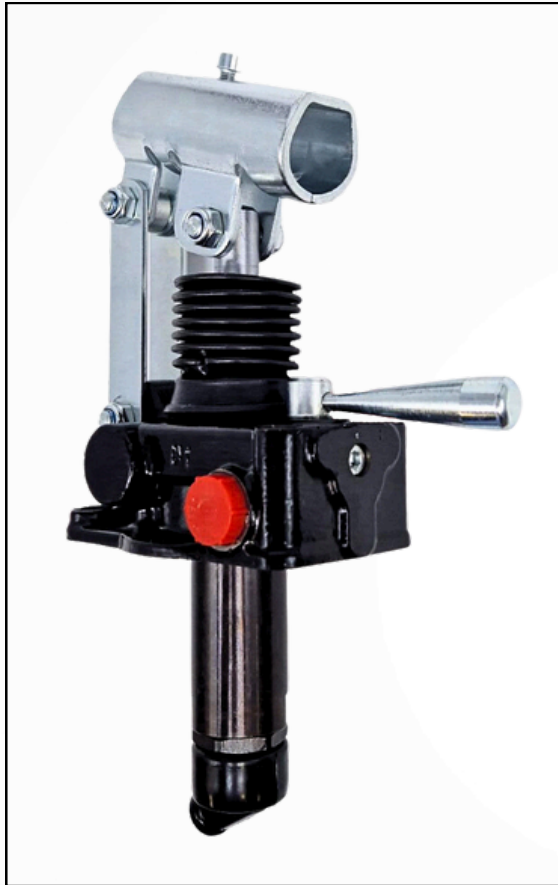




PMD45 RANGE

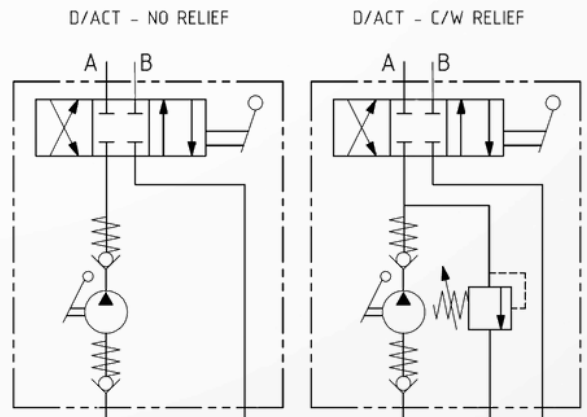
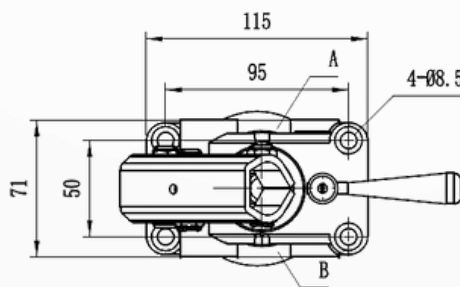
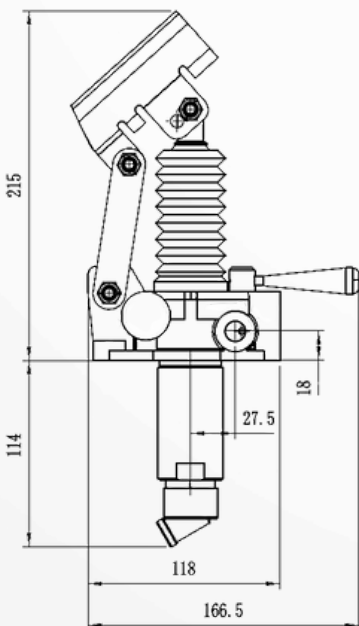
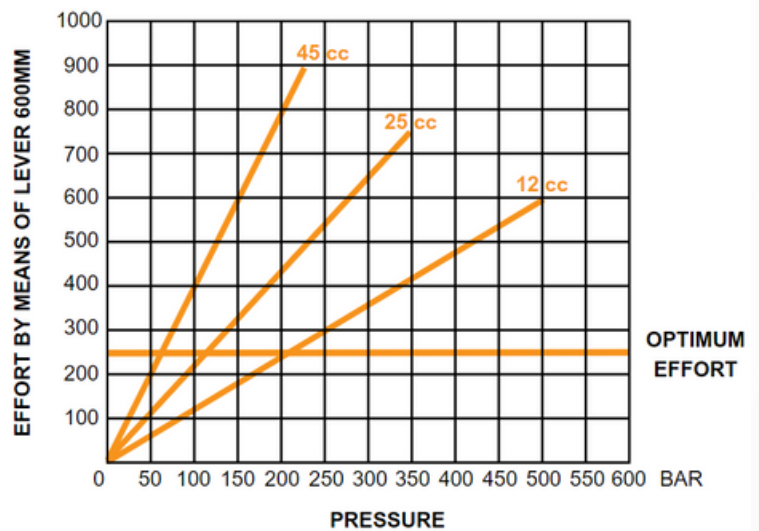
Flowfit 45cc Double Acting Hand Pump
For Double Acting Cylinder, With/Without Relief Valve.
Comes With Oil Tank Mounting Kit and Suction Pipe.

- PMD45-S-FF - Without Relief Valve
- PMD45-BYB-S-FF - With Relief Valve



SPECIFICATIONS

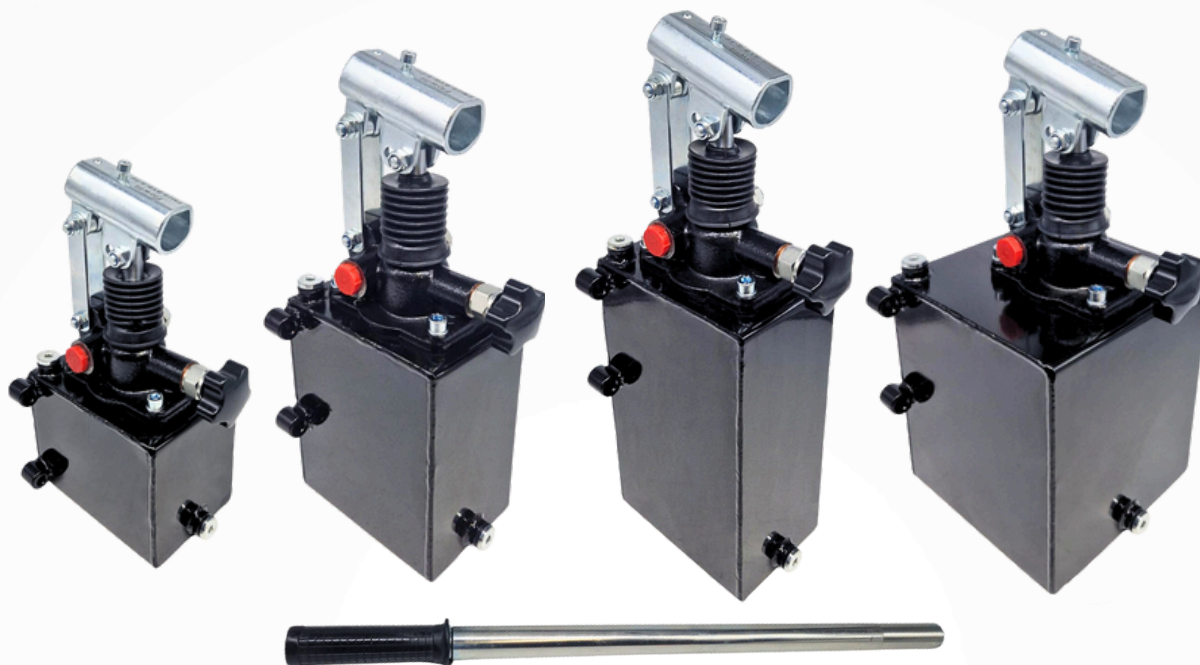
- 3/8" BSP Port Size
- Max working pressure: 350 Bar
- Internal Leakage: < 2 drops/min at 138 bar
- Filtration of oil: 25 Micron or better
- Temperature: -30 - 110°C
- Flow: 45cc Hand Pump
UP - 23.7 cm³ DOWN - 21.3cm³
- Double stroke operation





Flowfit Single Acting Handpumps

For Single Acting Cylinder. Assembled With a Steel Tank and a Handlever.



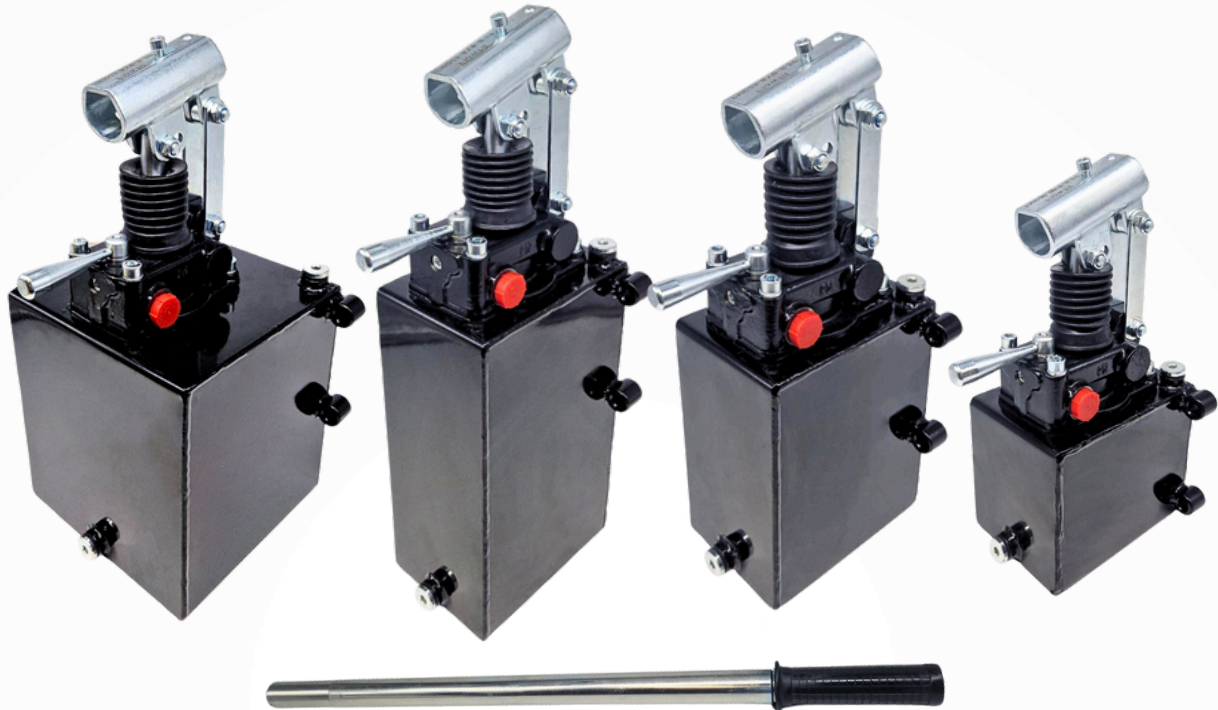
Tank Size	Without Relief Valve	With Relief Valve
1 Litre	FFHPSA121L - 12cc FFHPSA251L - 25cc FFHPSA451L - 45cc	FFHPSARV121L - 12cc FFHPSARV251L - 25cc FFHPSARV451L - 45cc
2 Litre	FFHPSA122L - 12cc FFHPSA252L - 25cc FFHPSA452L - 45cc	FFHPSARV122L - 12cc FFHPSARV252L - 25cc FFHPSARV452L - 45cc
3 Litre	FFHPSA123L - 12cc FFHPSA253L - 25cc FFHPSA453L - 45cc	FFHPSARV123L - 12cc FFHPSARV253L - 25cc FFHPSARV453L - 45cc
5 Litre	FFHPSA125L - 12cc FFHPSA255L - 25cc FFHPSA455L - 45cc	FFHPSARV125L - 12cc FFHPSARV255L - 25cc FFHPSARV455L - 45cc



ASSEMBLIES

Flowfit Double Acting Handpumps

For Double Acting Cylinder. Assembled With a Steel Tank and a Handlever.

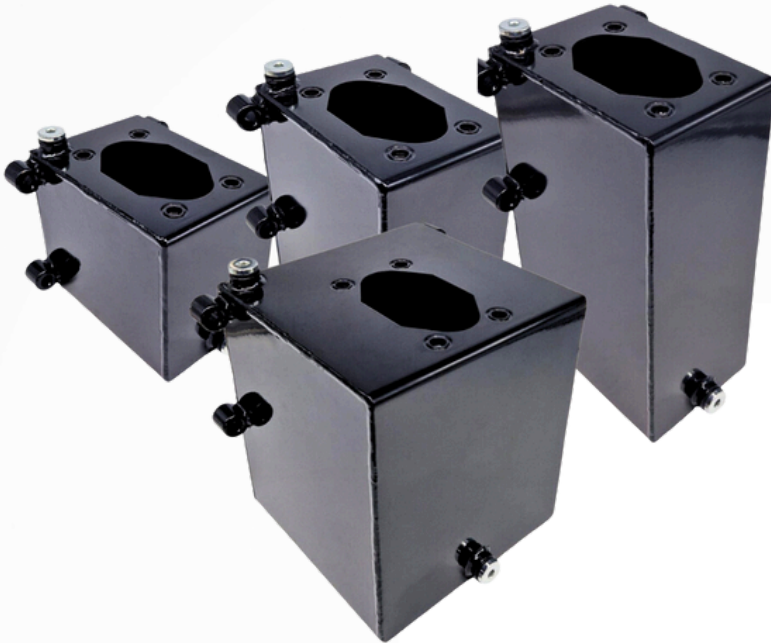


Tank Size	Without Relief Valve	With Relief Valve
1 Litre	FFHPDA121L - 12cc FFHPDA251L - 25cc FFHPDA451L - 45cc	FFHPDARV121L - 12cc FFHPDARV251L - 25cc FFHPDARV451L - 45cc
2 Litre	FFHPDA122L - 12cc FFHPDA252L - 25cc FFHPDA452L - 45cc	FFHPDARV122L - 12cc FFHPDARV252L - 25cc FFHPDARV452L - 45cc
3 Litre	FFHPDA123L - 12cc FFHPDA253L - 25cc FFHPDA453L - 45cc	FFHPDARV123L - 12cc FFHPDARV253L - 25cc FFHPDARV453L - 45cc
5 Litre	FFHPDA125L - 12cc FFHPDA255L - 25cc FFHPDA455L - 45cc	FFHPDARV125L - 12cc FFHPDARV255L - 25cc FFHPDARV455L - 45cc



Steel Oil Tank

Painted Black Finish, Capacity Available From 1-5 Litres.
Comes With Breather Cap and Drain Plug.



SPECIFICATIONS

- Breather cap 1/4 G
- Drain plug 1/4 G
- Standard colour black

Size	Length mm	Width mm	Height mm	Weight KG	Suction Pipe	SKU Code
1 Litre	100	150	120	2.2	ø 10x85 mm	S1AC-R1LFF
2 Litre	100	150	185	3.0	ø 10x114 mm	S2AC-R2LFF
3 Litre	100	150	255	3.7	ø 10x180 mm	S3AC-R3LFF
5 Litre	175	175	200	5.3	ø 10x156 mm	S5AC-R5LFF

Straight Handpump Lever



Length	SKU Code
600mm	LT27X600FF