



FLOWFIT® FFPMH MOTORS



Low speed high torque orbital motors are specifically engineered to deliver powerful rotational force at reduced speeds. Also known as geroler motors. These motors are suitable replacements for Sauer Danfoss OMH motors. Providing slightly more power than the FFPRM motor, this option operates at a lower load and supports a higher flow rate, allowing for increased speed and torque when needed.

Type		FFPMH 200	FFPMH 250	FFPMH 315	FFPMH 400	FFPMH 500
Displacement (ml/r)		203.2	255.9	316.1	406.4	489.2
Max Pressure Drop (Bar)	Cont.	155	155	135	105	85
	Int.	175	175	155	125	100
	Peak	200	200	190	155	130
Max Torque (N.m)	Cont.	419	493	541	535	508
	Int.	473	557	621	636	598
	Peak	541	636	762	789	778
Speed Range (Cont.) (r/min)		370	295	235	185	155
Max Flow (Cont.) (r/min)		75	75	75	75	75
Max Output Power (Cont.) (Kw)		14	14	12.5	10	8.5
Weight (Kg)		10.5	11	11.5	12.5	13

Intermittent operation the permissible values may occur for max. 10% of every minute
 Peak Load: the permissible values may occur for max. 1% of every minute



PERFORMANCE DATA

FFPMH200

Pressure (Bar)

Max Cont. Max int.

		35	70	105	140	155	175	
Flow (L/min)	5	91 25	192 24	284 23				
	10	92 48	191 47	282 46	344 44	427 42	480 38	
	20	90 96	188 95	280 94	342 92	425 90	476 88	
	30	88 144	181 143	278 139	388 130	422 114	470 101	
	40	86 193	172 192	270 191	384 188	419 186	461 171	
	50	83 241	168 240	264 238	380 234	411 230	452 228	
	60	80 290	156 289	258 287	375 284	401 271	448 264	
	70	75 334	149 333	249 331	362 329	389 324	441 320	
	Max Cont.	75	69 362	132 360	240 359	351 358	386 351	432 342
		80	53 382	124 381	231 380	338 374	381 365	421 360
Max int.	90	41 434	119 433	228 431	324 429	378 418	410 411	

FFPMH250

Pressure (Bar)

Max Cont. Max int.

		35	70	105	140	155	175	
Flow (L/min)	5	118 19	242 19	311 18				
	10	126 38	251 37	326 36	421 34	510 31		
	20	124 85	250 84	325 83	414 81	501 79	581 71	
	30	118 115	243 113	321 111	410 105	496 96	572 84	
	40	111 153	238 152	315 150	402 143	493 140	568 132	
	50	106 190	231 188	310 187	395 186	475 184	552 172	
	60	101 230	223 229	302 227	390 224	417 218	541 209	
	70	96 268	218 267	294 266	381 262	462 258	532 241	
	Max Cont.	75	84 287	210 285	284 284	375 280	453 276	526 270
		80	76 306	201 305	271 303	368 301	445 298	513 286
Max int.	90	56 347	182 345	268 341	351 337	423 334	501 328	

Torque: 119 Nm
Speed: 433 r/min

Torque: 182 Nm
Speed: 345 r/min





PERFORMANCE DATA

FFPMH315

Pressure (Bar)

Max Cont. Max int.

		35	75	100	135	155
Flow (L/min)	10	148 31	312 30	416 28	568 25	
	20	142 61	308 60	411 58	560 52	626 50
	30	140 91	301 90	402 89	552 87	624 82
	40	131 122	294 121	398 120	541 118	621 111
	50	128 152	289 151	391 149	538 146	612 139
	60	121 183	281 181	382 179	530 176	603 174
	70	110 215	273 214	372 211	521 208	600 204
Max Cont.	75	98 228	261 226	357 224	513 222	586 218
	80	72 243	258 240	346 237	510 234	581 228
Max int.	90	62 274	243 272	332 270	398 264	571 256

Torque: 62 Nm
Speed: 274 r/min

FFPMH400

Pressure (Bar)

Max Cont. Max int.

		35	55	70	105	125
Flow (L/min)	10	186 24	284 22	370 20		
	20	184 48	282 47	365 45	541 41	660 32
	30	182 72	280 71	361 70	538 64	655 58
	40	178 96	274 95	356 93	532 91	649 86
	50	175 119	270 118	351 116	530 111	645 107
	60	171 143	261 141	342 138	522 135	640 124
	70	164 167	248 165	338 161	513 158	638 146
Max Cont.	75	152 179	240 177	332 175	510 171	631 168
	80	141 193	223 192	330 190	497 187	624 182
Max int.	90	120 217	218 215	320 211	480 208	602 201

Torque: 120 Nm
Speed: 217 r/min





PERFORMANCE DATA

FFPMH500

Pressure (Bar)

Max Cont. Max int.

		25	40	60	70	85	100	
Flow (L/min)	10	153 21	249 20	372 18				
	20	152 42	242 41	370 40	439 38	548 34	650 31	
	30	150 62	236 61	361 60	436 58	546 55	645 51	
	40	147 82	230 81	352 80	433 78	543 74	640 71	
	50	145 104	224 102	340 100	430 98	541 96	637 92	
	60	142 124	212 122	331 120	425 118	534 114	632 110	
	70	140 146	202 143	328 140	412 138	512 136	621 131	
	Max Cont.	75	130 154	197 152	324 150	403 147	501 142	612 138
		80	121 165	183 163	310 161	389 159	497 150	601 146
Max int.	90	110 185	172 184	294 182	376 180	480 172	583 165	

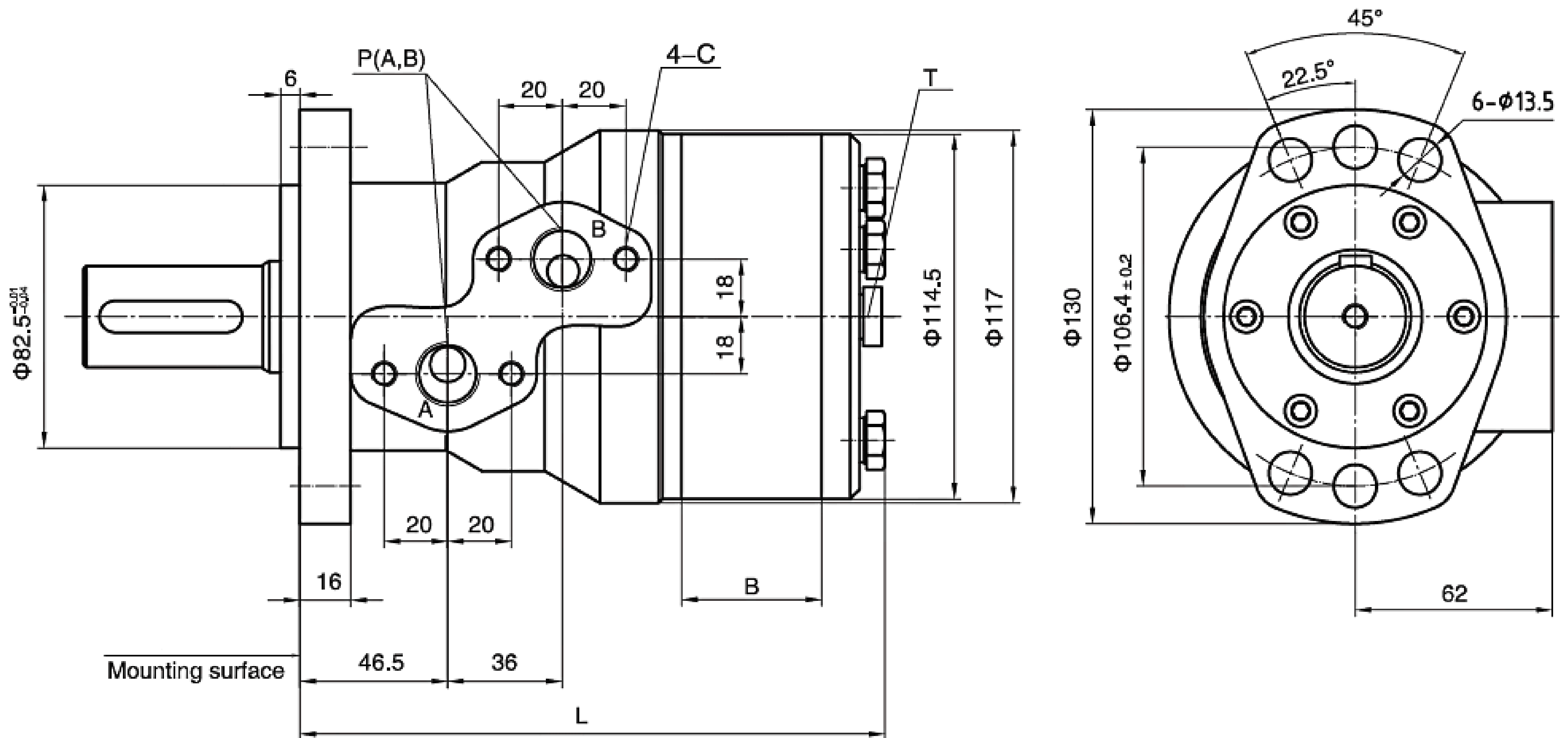
Torque: 110 Nm
 Speed: 185 r/min





INSTALLATION DATA

6 Hole Oval Flange



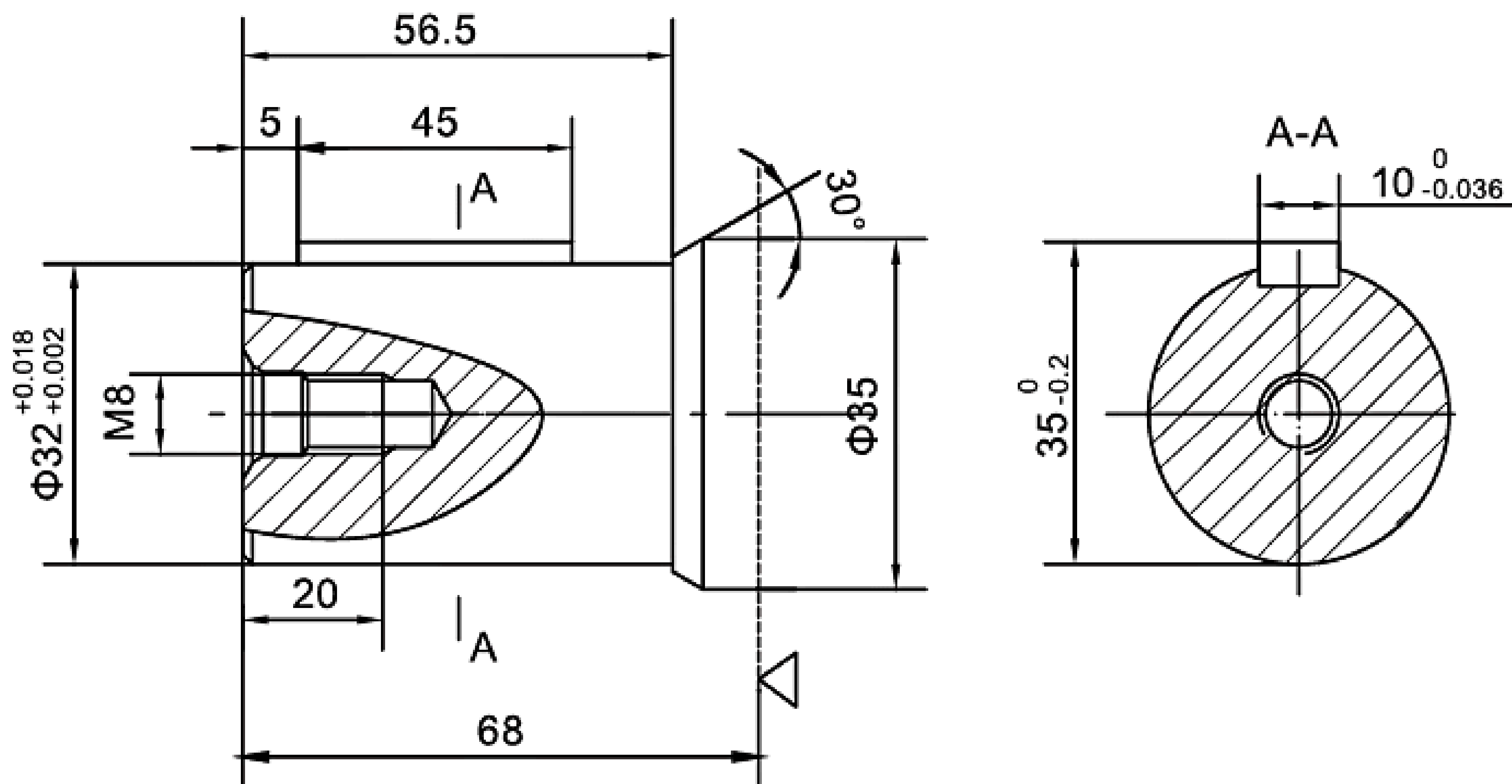
Type	FFPMH 200	FFPMH 250	FFPMH 315	FFPMH 400	FFPMH 500
L	168	175	184	196	205
B	28	35	44	56	65

P(A,B)(deep) Ports	C (deep) - Mounting Thread	T (deep) - Drain Connection
G1/2 BSP (15)	M8 (13)	G1/4 BSP (12)

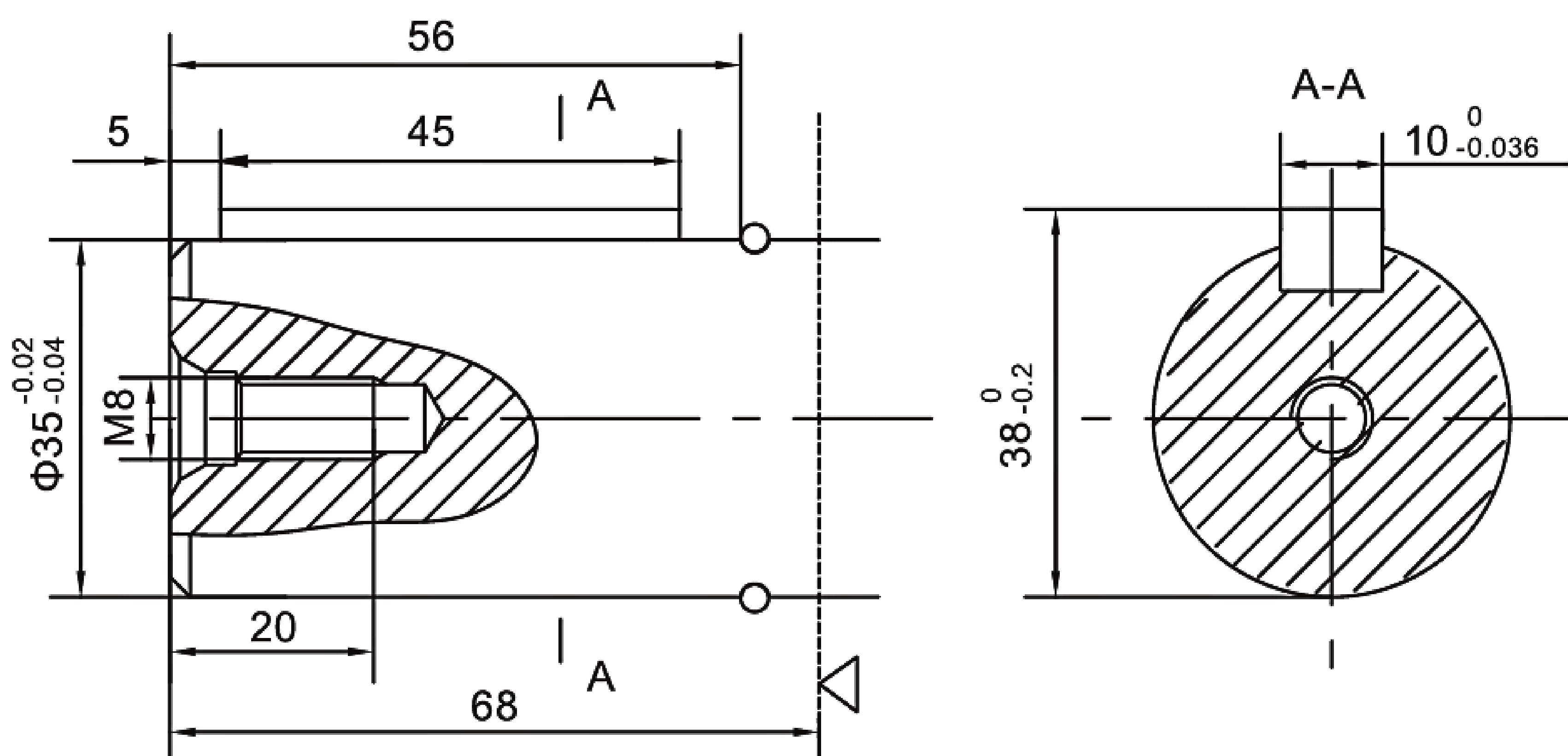


SHAFT VERSION

C - $\varnothing 32$ Cylindrical Shaft, Parallel Key 10 x 8 x 45



CB - $\varnothing 35$ Cylindrical Shaft, Parallel Key 10 x 8 x 45



 : Motor mounting surface



ORDERING CODES

1

2

3

FFPMH			
-------	--	--	--

Pos.1	Mounting Flange
-------	------------------------

Omit - 6 Hole Oval Flange

Pos.2	Displacement code
-------	--------------------------

200	203.2 cc/rev
250	255.9 cc/rev
315	316.1 cc/rev
400	406.4 cc/rev
500	489.2 cc/rev

Pos.3	Shaft Extensions
-------	-------------------------

C	Ø 32 Cylindrical Shaft, Parallel Key 10 x 8 x 45
CB	Ø 35 Cylindrical Shaft, Parallel Key 10 x 8 x 45

All our motors are supplied with a black gloss phosphatizing finish, enhancing corrosion resistance and improving friction performance.