



FLOWFIT® FFPM MOTORS



Low speed high torque orbital motors are specifically engineered to deliver powerful rotational force at reduced speeds. These motors are suitable replacements for Sauer Danfoss OMP motors. Designed for light-duty applications, the Compact FFPM motor with a Gerotor gearset provides an excellent speed range and efficient torque performance. Its high-pressure shaft seal enables use in both series and parallel configurations.

Type		FFPM 50	FFPM 80	FFPM 100	FFPM 125	FFPM 160	FFPM 200	FFPM 250	FFPM 315	FFPM 400
Displacement (ml/r)		51.2	78.8	98.6	123.5	158.6	197.9	247.5	316.5	396.5
Max Pressure Drop (Bar)	Cont.	125	125	125	125	115	110	100	90	70
	Int.	165	165	165	165	160	150	140	110	90
	Peak	200	200	200	200	200	200	160	130	110
Max Torque (N.m)	Cont.	78	120	149	180	219	262	300	338	334
	Int.	104	157	197	238	305	358	417	413	429
	Peak	130	215	268	336	430	506	537	537	537
Speed Range (Cont.) (r/min)		10-800	10-770	10-615	10-480	10-385	10-310	10-250	10-195	10-155
Max Flow (Cont.) (r/min)		40	60	60	60	60	60	60	60	60
Max Output Power (Cont.) (Kw)		7	10	10	10	10	8	6	5	4
Weight (Kg)		5.6	5.7	5.9	6.0	6.2	6.4	6.6	6.9	7.4

Intermittent operation the permissible values may occur for max. 10% of every minute
 Peak Load: the permissible values may occur for max. 1% of every minute



PERFORMANCE DATA

FFPM50

Pressure (Bar)

		Max Cont.					Max int.	
		30	60	80	100	125	140	165
Flow (L/min)	8	20 151	41 134	56 115	69 90	84 56		
	15	19 286	40 274	56 261	71 243	82 404	100 182	112 139
	20	18 382	39 373	55 361	70 348	79 318	99 309	117 287
	30	17 573	38 568	55 558	69 535	78 503	96 488	116 462
	35	17 670	38 661	54 652	67 640	76 606	94 589	117 562
Max Cont.	40	15 800	36 795	53 791	63 786	71 783	91 780	114 756
	50	13 926	34 922	52 919	60 915	68 910	87 902	113 900
Max int.	60	10 1150	32 1443	47 1126	58 111	61 1079	81 1065	108 1043

Torque: 32 Nm
Speed: 1443 r/min

FFPM80

Pressure (Bar)

		Max Cont.					Max int.	
		30	60	80	100	125	140	165
Flow (L/min)	8	31 98	60 89	81 76	101 57	126 35		
	15	30 186	57 181	81 170	101 154	125 132	143 118	162 86
	20	30 251	56 243	80 236	100 225	123 207	141 196	160 178
	30	29 381	55 379	78 368	99 355	121 332	139 316	159 285
	35	38 443	54 435	76 426	94 415	120 397	138 383	157 361
Max Cont.	40	27 560	51 564	72 554	90 543	112 526	134 509	155 483
	50	25 696	50 685	70 672	89 656	108 643	128 630	153 602
Max Cont.	60	23 761	46 753	68 744	87 736	104 720	124 706	146 681
Max int.	75	18 948	38 940	62 931	82 920	100 906	121 890	141 871

Torque: 62 Nm
Speed: 931 r/min

FFPM100

Pressure (Bar)

		Max Cont.					Max int.	
		30	60	80	100	125	140	165
Flow (L/min)	8	39 82	74 76	103 70	128 58	157 37		
	15	38 153	75 150	104 146	128 141	156 123	181 104	203 82
	20	34 205	71 202	101 197	125 192	153 179	179 169	200 150
	30	31 310	69 306	100 300	122 292	151 282	177 270	198 257
	35	28 362	67 354	95 345	119 333	149 323	176 308	197 296
Max Cont.	40	27 464	64 460	92 453	115 446	146 436	174 421	192 404
	50	23 568	61 560	90 551	113 542	141 532	170 517	190 500
Max Cont.	60	20 615	57 613	88 603	111 592	134 583	167 574	184 563
Max int.	75	13 772	51 765	80 757	103 747	130 738	160 726	180 710

Torque: 80 Nm
Speed: 757 r/min

FFPM125

Pressure (Bar)

		Max Cont.					Max int.	
		30	60	80	100	125	140	165
Flow (L/min)	8	47 65	94 62	132 57	162 49			
	15	47 123	96 118	132 112	161 104	188 92	229 76	266 51
	20	45 164	93 160	130 155	161 150	185 140	226 131	268 112
	30	43 246	92 242	128 237	159 230	180 219	221 205	264 192
	35	39 287	88 282	125 277	155 272	180 262	219 250	238 234
Max Cont.	40	34 373	85 365	120 358	152 351	176 343	212 330	233 313
	50	30 455	80 449	118 441	148 434	171 423	202 415	229 405
Max Cont.	60	26 493	74 485	112 478	141 471	164 461	198 450	225 442
Max int.	75	15 617	62 608	102 600	128 588	160 577	196 565	220 552

Torque: 102Nm
Speed: 600 r/min



PERFORMANCE DATA

FFPM160

Pressure (Bar)

		Max Cont.					Max int.	
		30	60	80	100	115	140	160
Flow (L/min)	8	58 49	116 48	166 46	208 44			
	15	56 93	116 91	168 88	210 85	225 80	288 68	297 48
	20	53 125	112 123	166 120	210 117	223 113	284 105	295 92
	30	49 187	110 184	158 181	200 178	221 176	280 168	300 155
	35	45 220	106 216	156 213	196 209	219 207	274 202	305 192
	45	40 283	98 280	150 276	192 272	217 269	270 260	302 250
	55	36 345	95 342	144 340	187 336	215 333	264 328	300 320
	Max Cont. 60	29 377	90 374	140 371	184 367	213 365	260 359	298 353
Max int. 75	15 473	76 469	120 465	168 459	210 456	246 447	290 440	

FFPM200

Pressure (Bar)

		Max Cont.					Max int.	
		30	60	80	100	110	130	150
Flow (L/min)	8	76 39	161 38	204 37	247 34			
	15	75 75	158 74	200 73	245 72	268 70	330 69	364 67
	20	73 100	154 198	199 97	243 96	266 94	328 92	362 90
	30	67 150	150 148	197 146	241 145	264 143	324 139	360 136
	35	63 176	146 175	190 173	228 172	260 171	318 169	358 168
	40	60 226	143 224	187 222	226 221	258 219	315 216	352 211
	50	51 278	136 276	177 274	220 273	256 271	312 269	342 266
	Max Cont. 60	64 302	123 300	160 298	208 295	251 292	308 291	332 289
Max int. 75	18 380	92 376	141 372	188 369	248 366	290 362	325 358	

FFPM250

Pressure (Bar)

Torque: 120 Nm
Speed: 465 r/min

		Max Cont.					Max int.	
		30	60	80	100	125	140	
Flow (L/min)	8	93 32	186 31					
	15	90 61	190 60	262 58	310 55	399 52	430 50	
	20	90 83	185 82	260 78	308 77	395 71	423 66	
	30	81 124	176 121	255 120	305 116	390 108	420 100	
	35	73 144	172 142	246 140	300 137	386 130	417 124	
	45	65 186	162 183	238 179	296 175	370 169	412 162	
	55	60 227	156 224	232 219	289 214	362 210	410 203	
	Max Cont. 60	56 249	143 247	221 244	279 240	357 234	406 228	
Max int. 75	31 310	125 307	201 303	263 298	341 287	386 279		

FFPM315

Pressure (Bar)

Torque: 141 Nm
Speed: 372 r/min

		Max Cont.					Max int.	
		30	50	70	90	100	110	
Flow (L/min)	8	122 25	214 23					
	15	117 46	208 45	286 44	361 42	400 40	440 38	
	20	108 62	203 61	276 60	356 59	391 57	431 54	
	30	100 94	195 93	268 92	342 90	386 88	423 86	
	35	96 109	186 108	261 107	338 106	380 104	413 102	
	45	88 141	178 140	251 138	333 137	370 135	405 130	
	55	76 98	165 172	236 171	320 170	360 168	400 166	
	Max Cont. 60	66 188	152 186	222 185	301 184	341 181	392 176	
Max int. 75	40 236	116 235	198 233	276 231	320 229	311 228		

Torque: 201 Nm
Speed: 303 r/min

Torque: 198 Nm
Speed: 233 r/min



PERFORMANCE DATA

FFPM400

Pressure (Bar)

Max Cont. Max int.

		30	40	50	60	70	80	90
Flow (L/min)	8	160 20	210 19					
	15	158 37	207 36	254 35	314 34	360 33	407 31	453 30
	20	149 50	202 49	249 49	311 48	355 46	403 42	446 40
	30	135 75	199 74	246 73	304 72	348 71	395 69	438 65
	35	125 88	192 86	241 85	301 84	342 83	375 104	421 103
	45	112 112	172 111	232 110	289 108	334 106	375 104	421 103
	55	105 137	158 135	215 133	276 131	328 130	357 126	401 122
	Max Cont.	60	100 150	140 148	201 146	252 144	313 142	334 140
Max int.	75	54 187	128 185	181 181	231 172	302 170	311 162	378 158

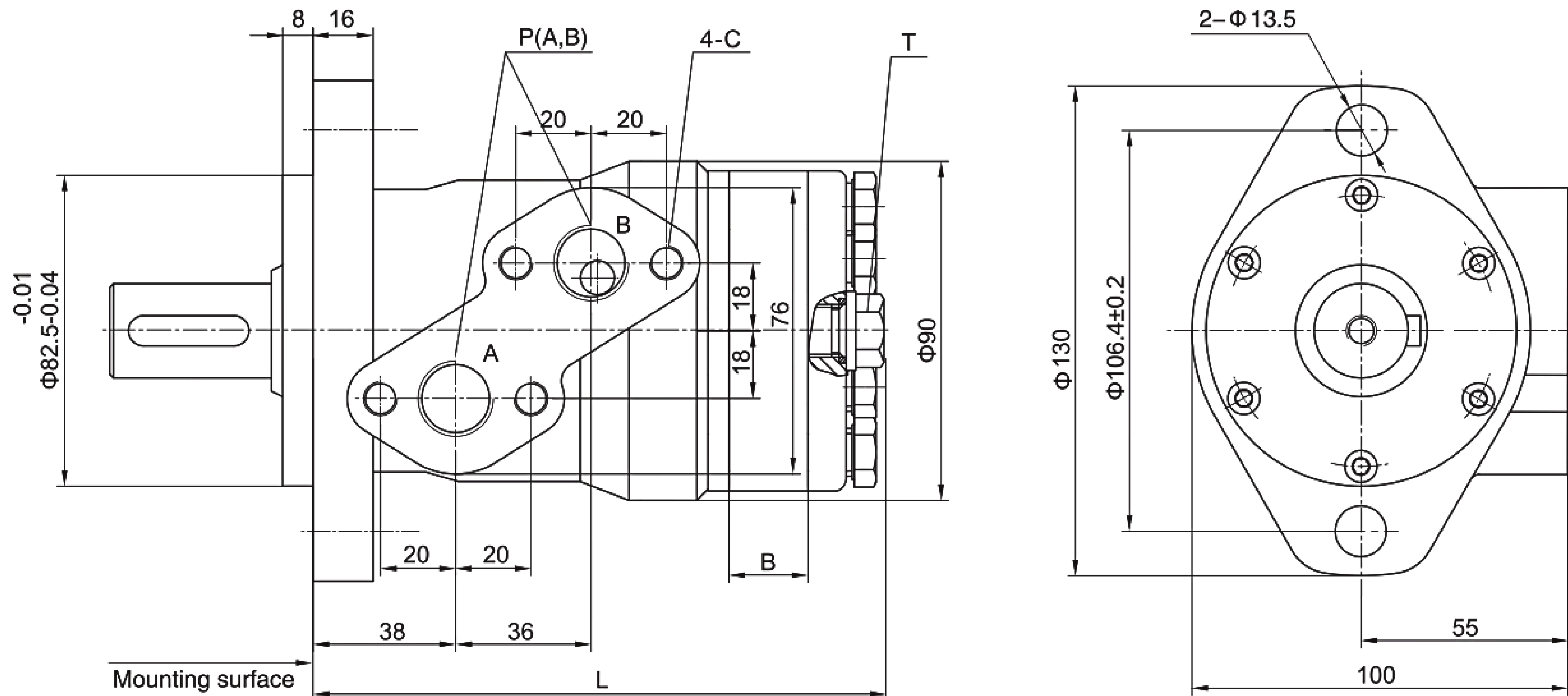
Torque: 128 Nm
Speed: 185 r/min





INSTALLATION DATA

2 Hole Oval Flange



Type	FFPM 50	FFPM 80	FFPM 100	FFPM 125	FFPM 160	FFPM 200	FFPM 250	FFPM 315	FFPM 400	FFPM 600
L	141	145	147	150	155	160	166	176	186	217
B	7	11	13	16	21	26	32	42	52	83

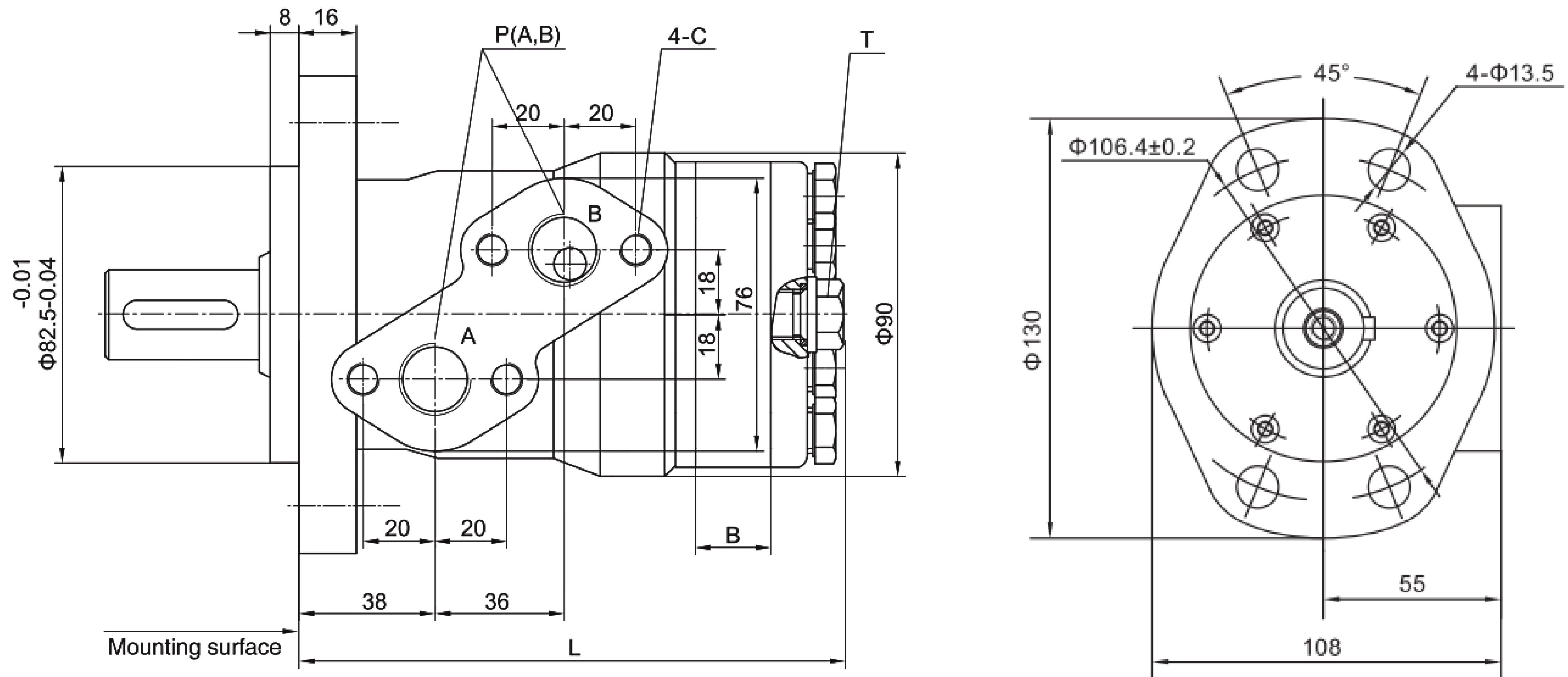
P(A,B)(deep) Ports	C (deep) - Mounting Thread	T (deep) - Drain Connection
G1/2 BSP (15)	M8 (13)	G1/4 BSP (12)





INSTALLATION DATA

F - 4 Hole Oval Flange



Type	FFPM 50	FFPM 80	FFPM 100	FFPM 125	FFPM 160	FFPM 200	FFPM 250	FFPM 315	FFPM 400
L	141	145	147	150	155	160	166	176	186
B	7	11	13	16	21	26	32	42	52

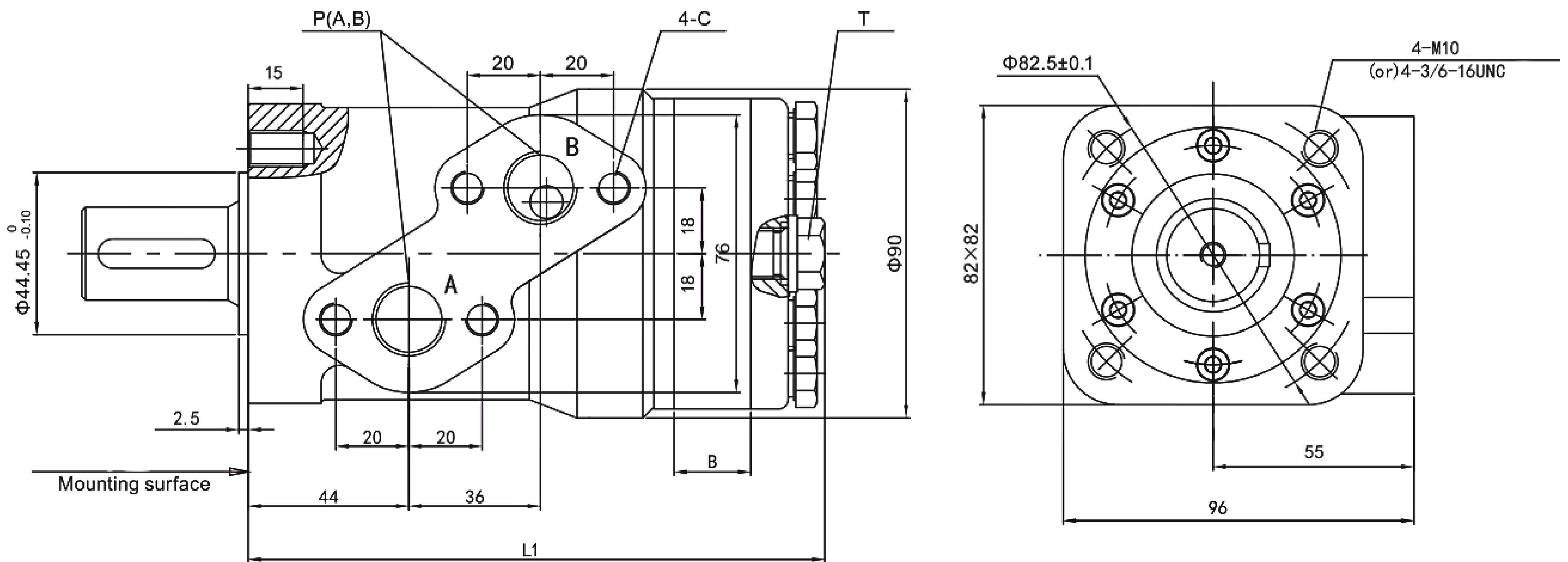
P(A,B)(deep) Ports	C (deep) - Mounting Thread	T (deep) - Drain Connection
G1/2 BSP (15)	M8 (13)	G1/4 BSP (12)





INSTALLATION DATA

Q- Square Flange



Type	FFPM 50	FFPM 80	FFPM 100	FFPM 125	FFPM 160	FFPM 200	FFPM 250	FFPM 315	FFPM 400
L1	148	151	154	157	162	167	173	183	193
B	7	11	13	16	21	26	32	42	52

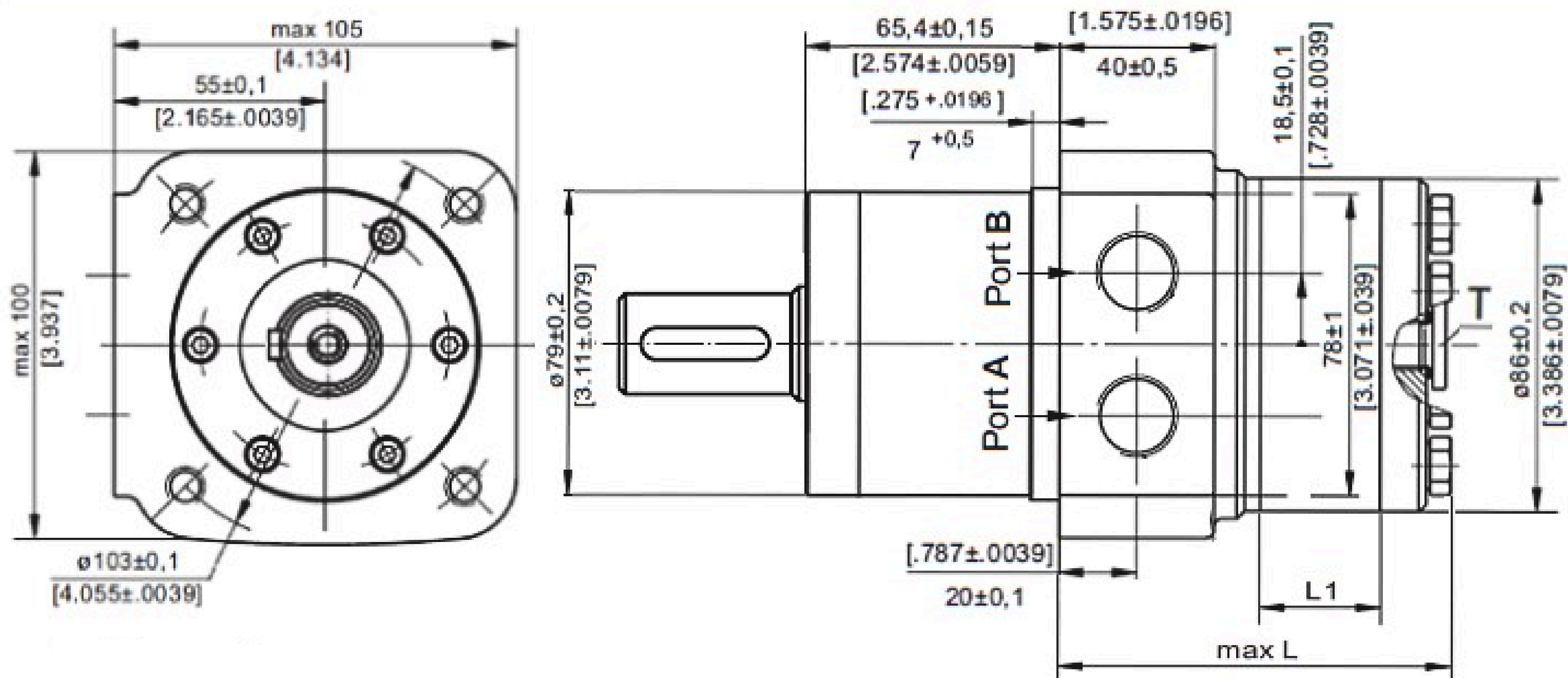
P(A,B)(deep) Ports	C (deep) - Mounting Thread	T (deep) - Drain Connection
G1/2 BSP (15)	M8 (13)	G1/4 BSP (12)





INSTALLATION DATA

W- Wheel mount Flange



Type	FFPM 50	FFPM 80	FFPM 100	FFPM 125	FFPM 160	FFPM 200	FFPM 250	FFPM 315	FFPM 400
L	78	82	85	88	93	98	105	114	125
L1	7	11	13	16	21	26	32	42	52

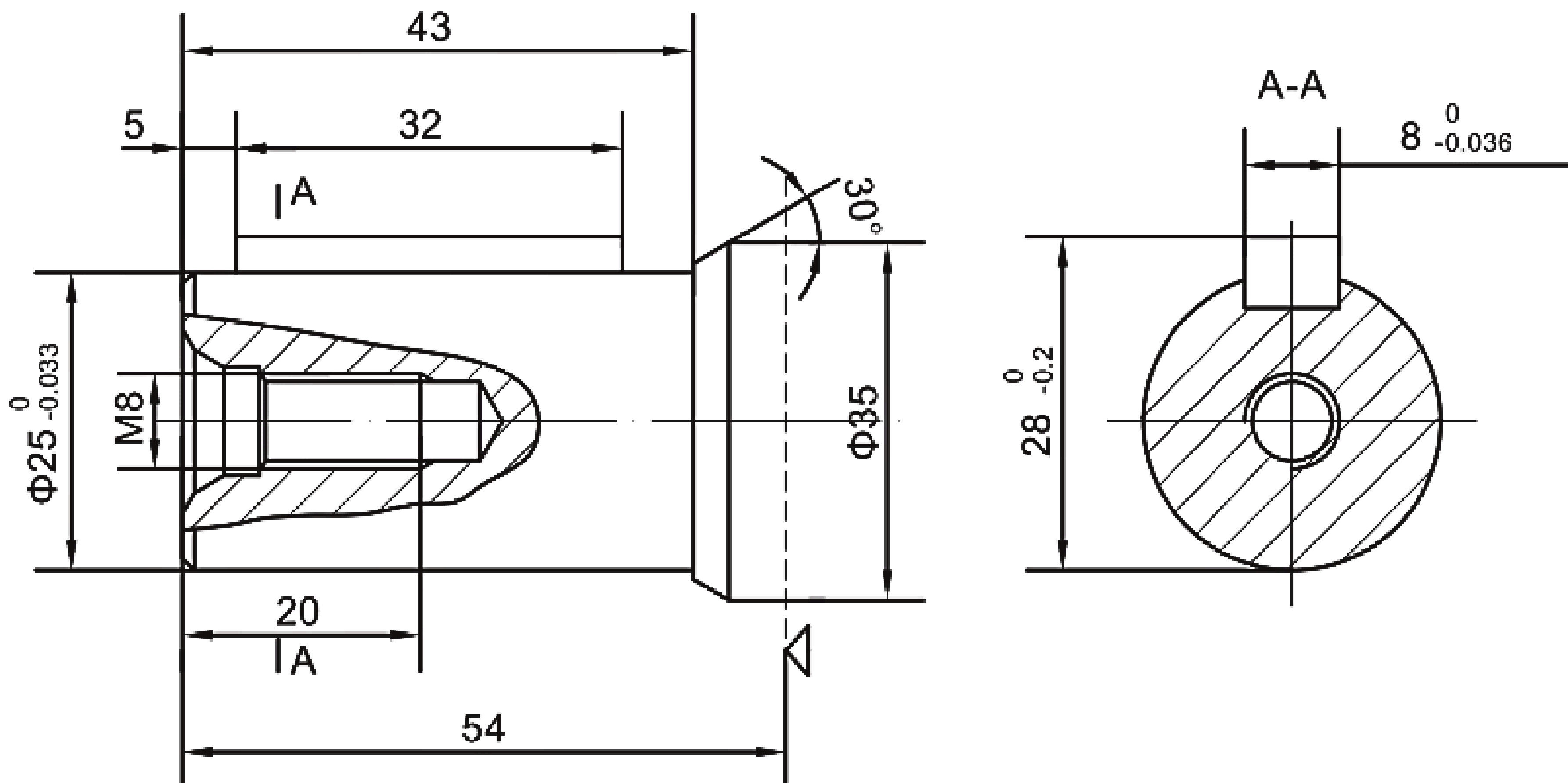
P(A,B)(deep) Ports	C (deep) - Mounting Thread	T (deep) - Drain Connection
G1/2 BSP (15)	M8 (13)	G1/4 BSP (12)



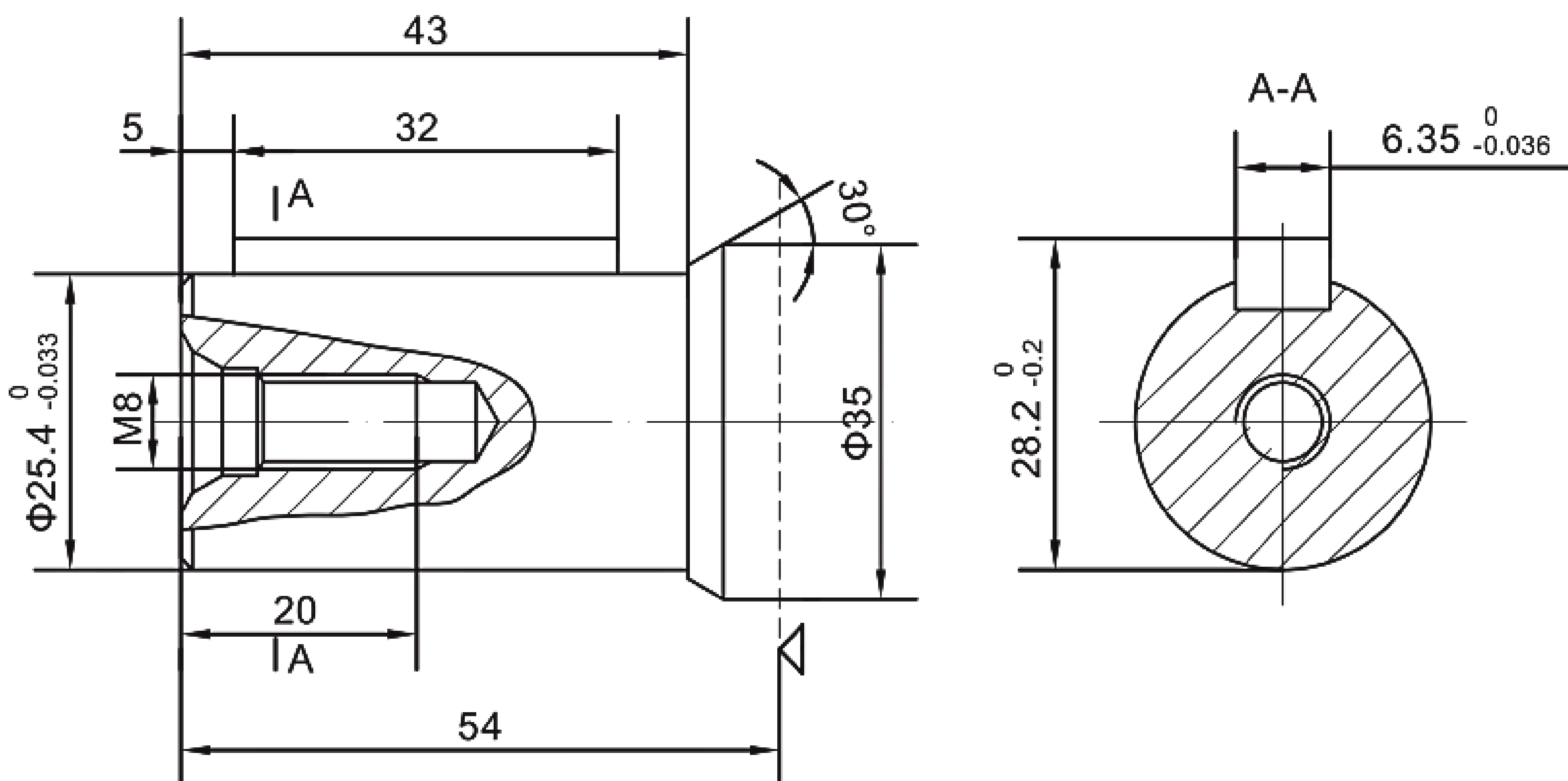


SHAFT VERSION

C - $\varnothing 25$ Cylindrical Shaft, Parallel Key 8 x 7 x 32



CO - $\varnothing 25.4$ Cylindrical Shaft, Parallel Key 6.35 x 6.35 x 32

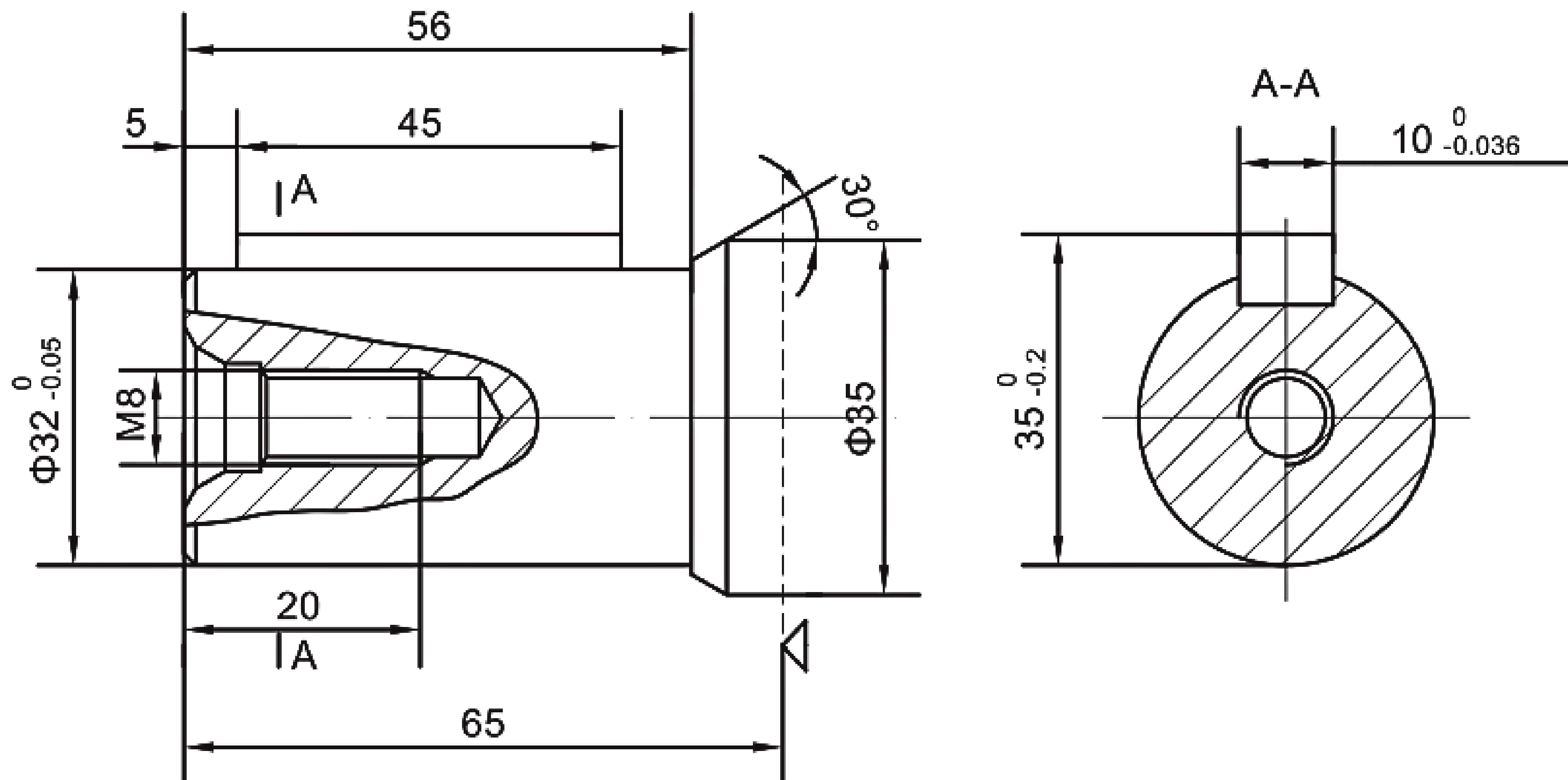


 : Motor mounting surface

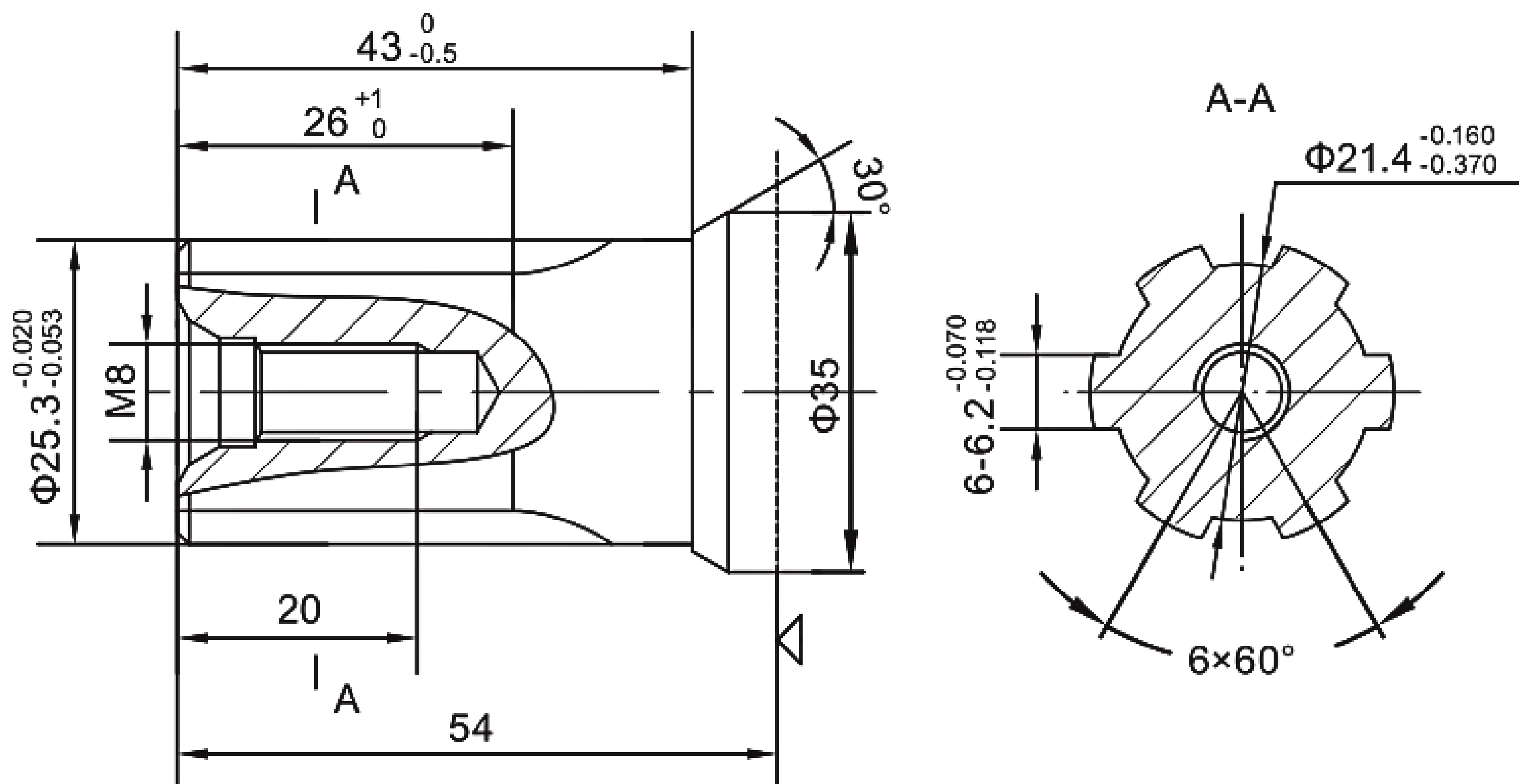


SHAFT VERSION

CB - \varnothing 32 Cylindrical Shaft, Parallel Key 10 x 8 x 45



SH - \varnothing 25.3 Splined Shaft, 6-25.3 x 21.4 x 6.2



◁ : Motor mounting surface



ORDERING CODES

1

2

3

4

FFPM				
------	--	--	--	--

Pos.1	Mounting Flange
-------	------------------------

Omit - Oval mount, two holes

F	Oval mount, four holes
---	------------------------

Q	Square mount, four holes
---	--------------------------

W	Wheel mount
---	-------------

Pos.2	Displacement code
-------	--------------------------

50	51,2 cc/rev	200	197,9 cc/rev
80	78,8 cc/rev	250	247,5 cc/rev
100	98,6 cc/rev	315	316,5 cc/rev
125	123,5 cc/rev	400	396,5 cc/rev
160	158,6 cc/rev		

Pos.3	Shaft Extensions
-------	-------------------------

C	∅ 25 Cylindrical Shaft, Parallel Key 8 x 7 x 32
---	---

CO	∅ 25.4 Cylindrical Shaft, Parallel Key 6.35 x 6.35 x 32
----	---

CB	∅ 32 Cylindrical Shaft, Parallel Key 10 x 8 x 45
----	--

SH	∅ 25.3 Splined Shaft, 6-25.3 x 21.4 x 6.2
----	---

Pos.4	Shaft Seal Version
-------	---------------------------

D	High pressure shaft seal
---	--------------------------

All our motors are supplied with a black gloss phosphatizing finish, enhancing corrosion resistance and improving friction performance.