

PM12 RANGE



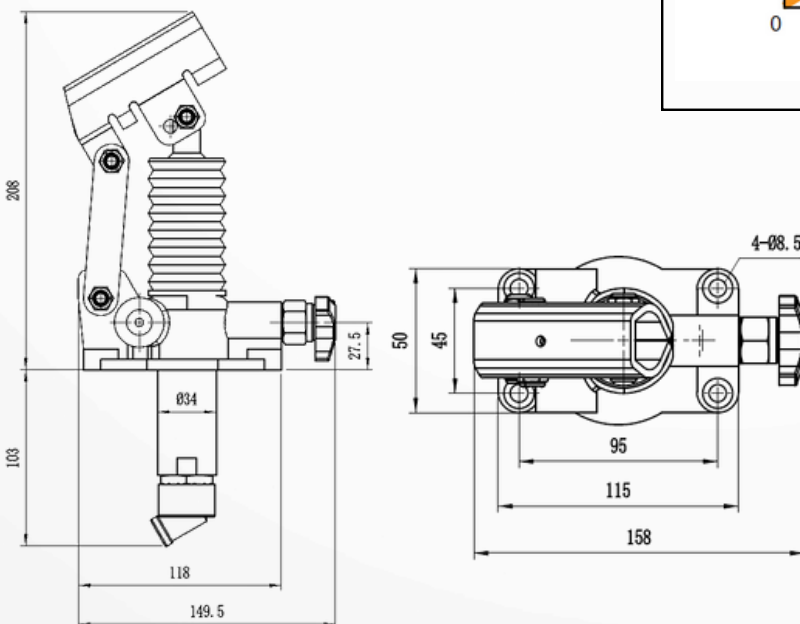
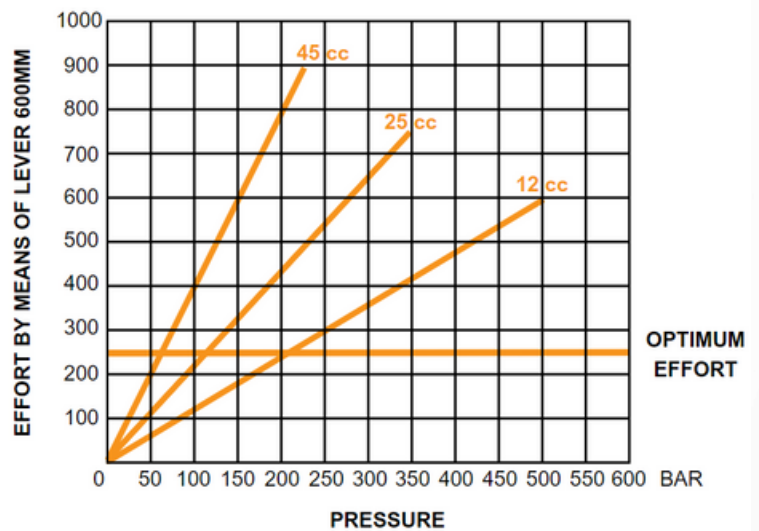
Flowfit 12cc Single Acting Hand Pump
For Single Acting Cylinder, With Relief Valve.
Comes With Oil Tank Mounting Kit and Suction Pipe.

- PM12-S-FF- Without Relief Valve
- PM12-BYB-S-FF - With Relief Valve

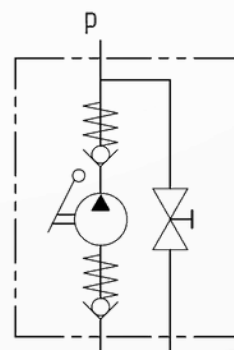


SPECIFICATIONS

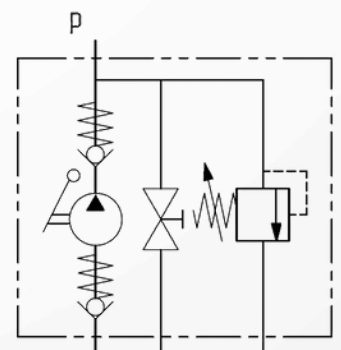
- 3/8" BSP Port Size
- Max working pressure: 300 Bar
- Internal Leakage: < 2 drops/min at 138 bar
- Filtration of oil: 25 Micron or better
- Temperature: -30 - 110°C
- Flow: 12cc Hand Pump
- Double stroke operation



S/ACT - NO RELIEF



S/ACT - C/W RELIEF

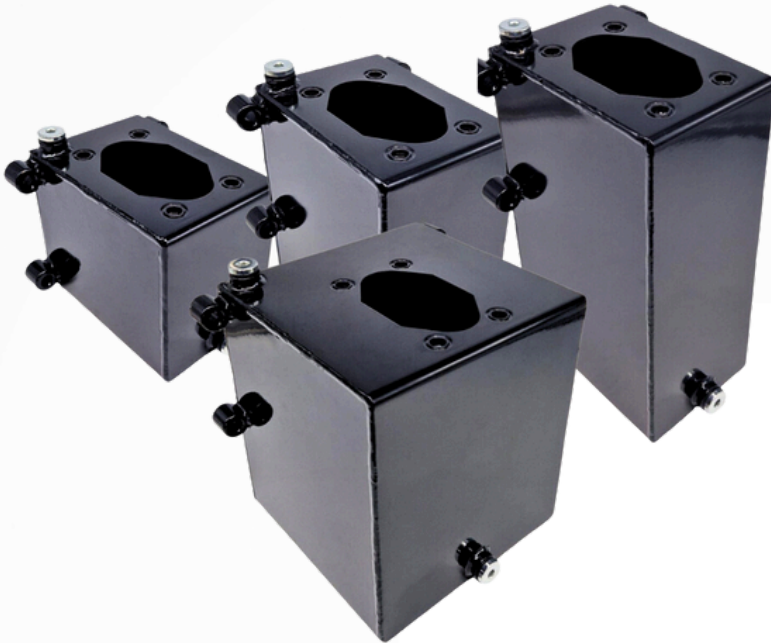


ACCESSORIES



Steel Oil Tank

Painted Black Finish, Capacity Available From 1-5 Litres.
Comes With Breather Cap and Drain Plug.



SPECIFICATIONS

- Breather cap 1/4 G
- Drain plug 1/4 G
- Standard colour black

Size	Length mm	Width mm	Height m	Weight KG	Suction Pipe	SKU Code
1 Litre	100	150	120	2.2	ø 10x85 mm	S1AC-R1LFF
2 Litre	100	150	185	3.0	ø 10x114 mm	S2AC-R2LFF
3 Litre	100	150	255	3.7	ø 10x180 mm	S3AC-R3LFF
5 Litre	175	175	200	5.3	ø 10x156 mm	S5AC-R5LFF

Straight Handpump Lever



Length	SKU Code
600mm	LT27X600FF