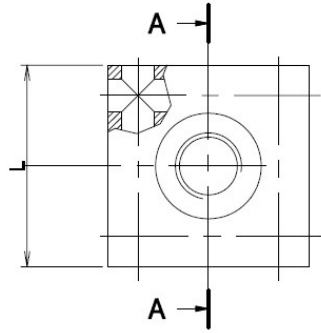


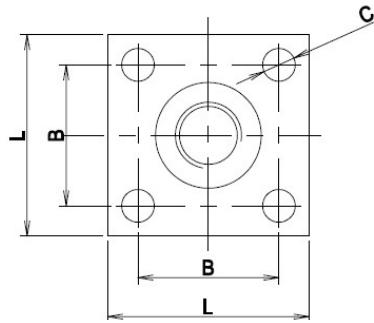
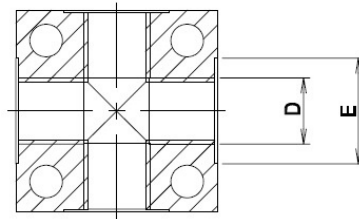
FLOWFIT[®]

**MANUFACTURERS AND SUPPLIERS
OF HYDRAULIC COMPONENTS**

Official UK distributor of



SEZIONE A-A



CMA04□0-O□-01-OL

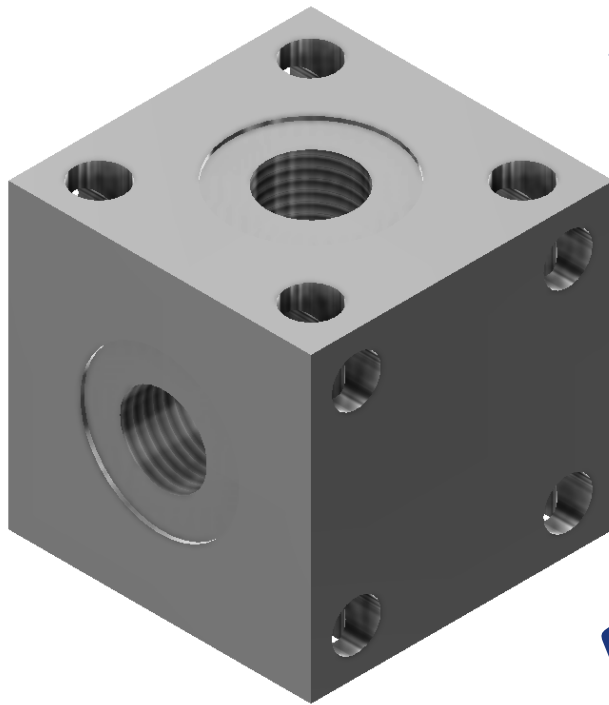
Panel dimension

Thread dimension

Code

Thread

CMA0440-OA-01-OL	G1/4"
CMA0450-OB-01-OL	G3/8"
CMA0460-OC-01-OL	G1/2"
CMA0470-OD-01-OL	G3/4"
CMA0480-OE-01-OL	G1"



For Information & Enquiries:
sales@flowfitonline.com

*New
manifold!*