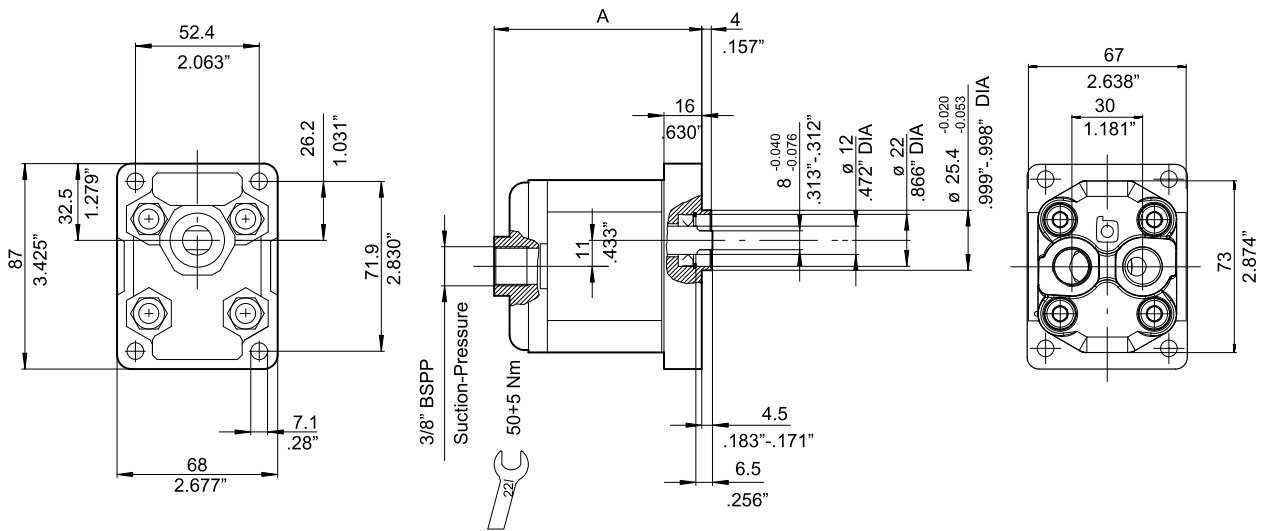


Group AP100 Code 319



| Type | Displacement cm ³ /rev | Dimensions A | |
|-----------|--------------------------------------|--------------|-------|
| | | mm | inch. |
| AP100/1.2 | 1.2 | 82.5 | 3.25 |
| AP100/1.7 | 1.7 | 84.5 | 3.33 |
| AP100/2.5 | 2.5 | 88 | 3.46 |
| AP100/3.5 | 3.5 | 92 | 3.62 |
| AP100/4.3 | 4.3 | 96 | 3.78 |
| AP100/5 | 5 | 98.5 | 3.88 |
| AP100/6.5 | 6.5 | 103.5 | 4.07 |
| AP100/8 | 7.8 | 109 | 4.29 |
| AP100/10 | 10 | 118 | 4.64 |

| Clockwise rotation: D | | Counter-clockwise rotation: S | |
|-----------------------|--------------|-------------------------------|--------------|
| Type | Order Code | Type | Order Code |
| AP100/1.2 D 319 | | AP100/1.2 S 319 | 200101114307 |
| AP100/1.7 D 319 | | AP100/1.7 S 319 | 200101214308 |
| AP100/2.5 D 319 | 200101314204 | AP100/2.5 S 319 | 200101314307 |
| AP100/3.5 D 319 | 200101414201 | AP100/3.5 S 319 | 200101414307 |
| AP100/4.3 D 319 | 200101514201 | AP100/4.3 S 319 | 200101514308 |
| AP100/5 D 319 | 200101614201 | AP100/5 S 319 | 200101614305 |
| AP100/6.5 D 319 | 200101714202 | AP100/6.5 S 319 | 200101714305 |
| AP100/8 D 319 | | AP100/8 S 319 | 200101814303 |
| AP100/10 D 319 | | AP100/10 S 319 | |