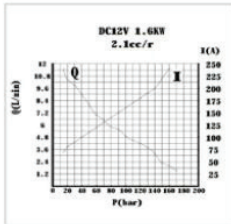
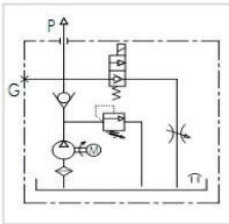
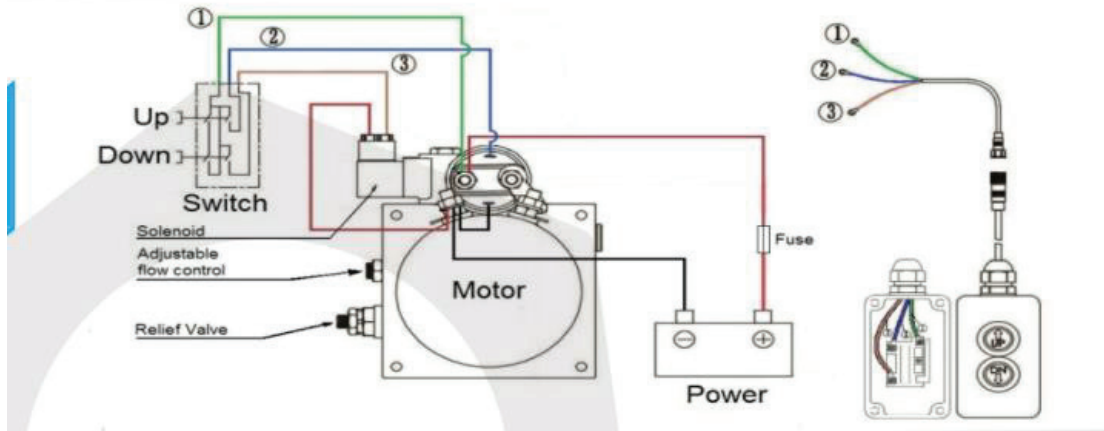


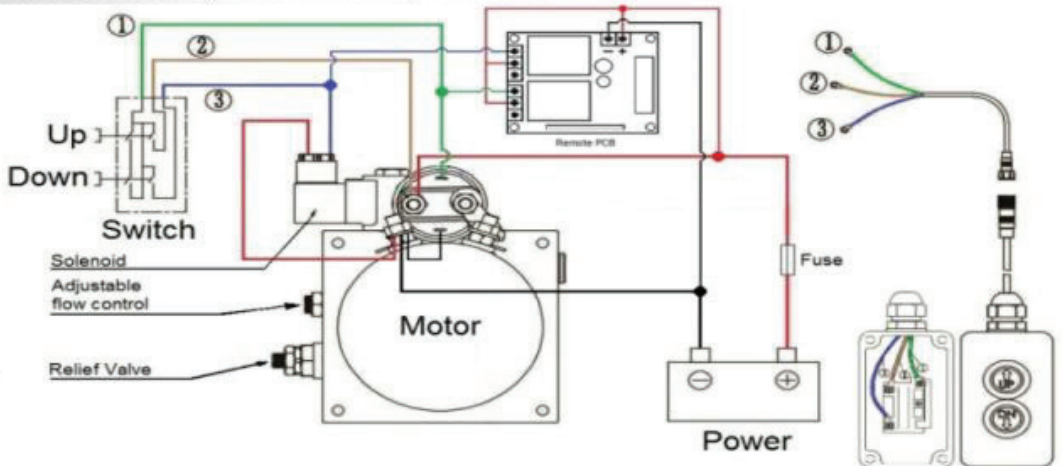
FLOWFIT 12VDC SINGLE ACTING HYDRAULIC POWER PACKS



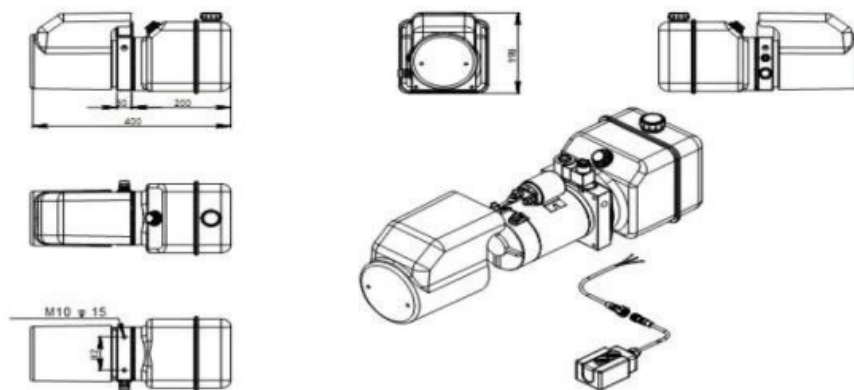
SINGLE ACTING WIRING DIAGRAM



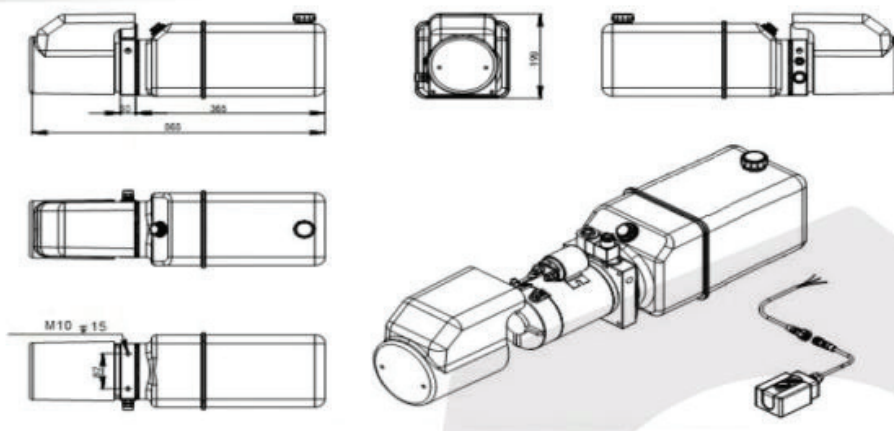
SINGLE ACTING (WITH REMOTE) WIRING DIAGRAM



4.5 LITRE POWER PACK DIMENSIONS



8.0 LITRE POWER PACK DIMENSIONS



FLOWFIT® Technical Data

700 Series Standard Hydraulic Cylinders



CHARACTERISTICS

- Maximum working pressure: 200 bar
- Maximum testing pressure: 300 bar
- Maximum working speed: 0.5 m/s
- Working temperature: -30 °C to +90 °C
- Oil: mineral hydraulic

MATERIALS

- Rod: chrome plated steel F-1140, minimum chrome layer thickness 20 micron, roughness Ra < 0,2, minimum surface hardness 900 HV, corrosion resistance minimum 200 hours in neutral saline fog according to ISO9227 rating 9
- Tube: steel ST-52-3, DIN 2393, inside diameter tolerance ISO H9, roughness Ra <0,8 micron.
- Guide-bushing: steel F-1140 nitrated (nitride hardening)
- Piston: steel F-1140

SEALS

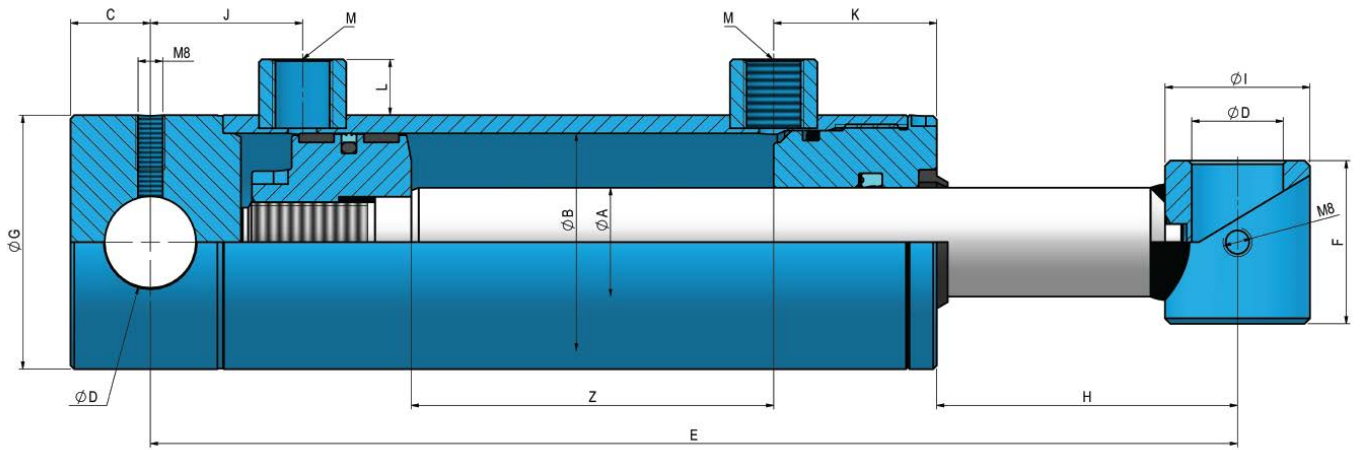
- Guide-bushing:
 - Dynamic: compact polyurethane rod-seal, double lip. NBR metal wiper seal
 - Static: NBR 90 shore o-ring
- Piston:
 - Dynamic: compact double-acting polyurethane seal, plus nitrile o-ring as activator
Special polyacetal guides reinforced with glass fibre.
 - Static: polyamide locking sealing guide

FINISHING

Black prime painting

RECOMMENDATIONS

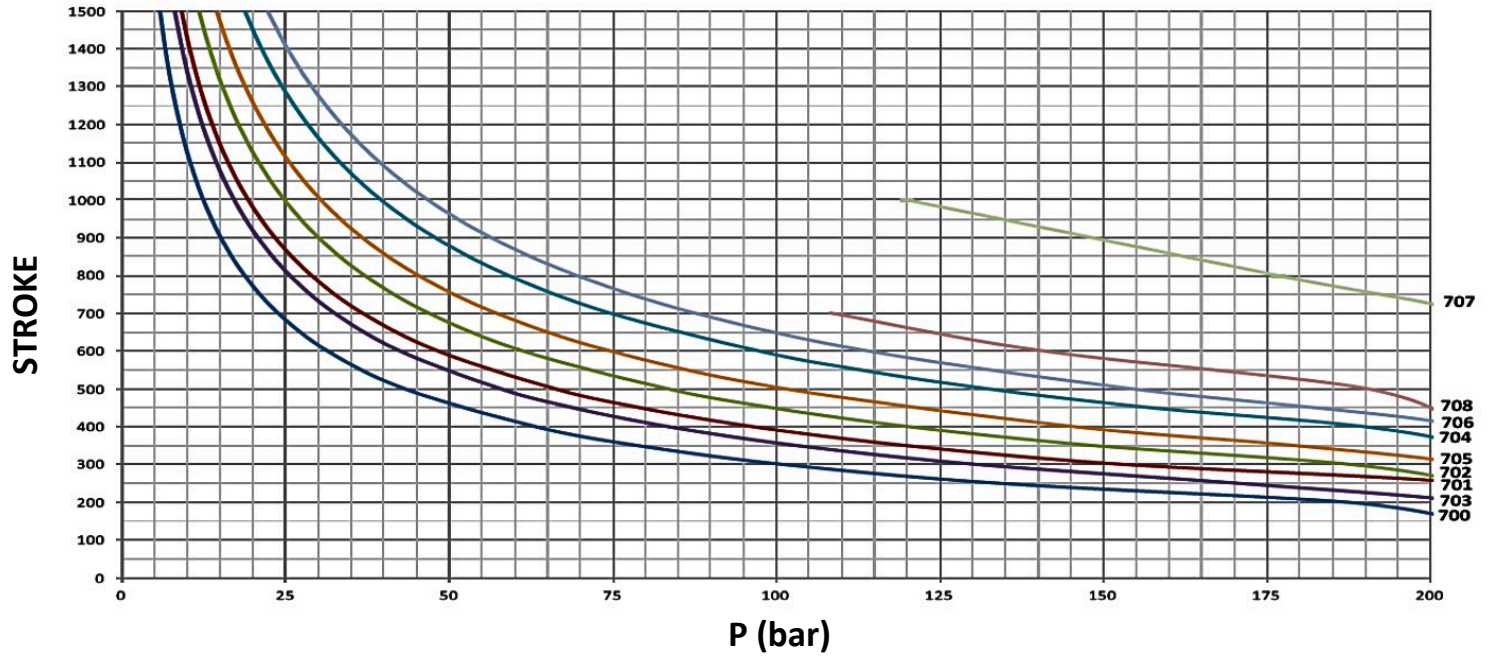
- Protect the cylinder circuit with a relief valve set at 200 bar
- Check the oil cleanness (pollution), and prevent it from having strange objects (place a filter on the cylinder circuit)
- Bleed the circuit by slightly loosening the cylinder fittings before starting-up
- Do not weld on the cylinder tube
- Before welding on the rod or on the bottom, please dismount the cylinder. - In case you need to store the cylinders for a long period of time, please avoid outdoor storage. If not possible, the rod must be completely retracted or it must be greased instead
- For high-pressure cleaning or blasting on the cylinder, the rod and the oil-ports must be suitably protected.
- For double-acting cylinders working as single acting, we recommend to connect the non-used oil-port to tank
- In case you need to dismount the cylinder, please note that the piston is screwed onto the rod end and fixed with industrial glue, so you must use also industrial glue when mounting again



SERIES 700

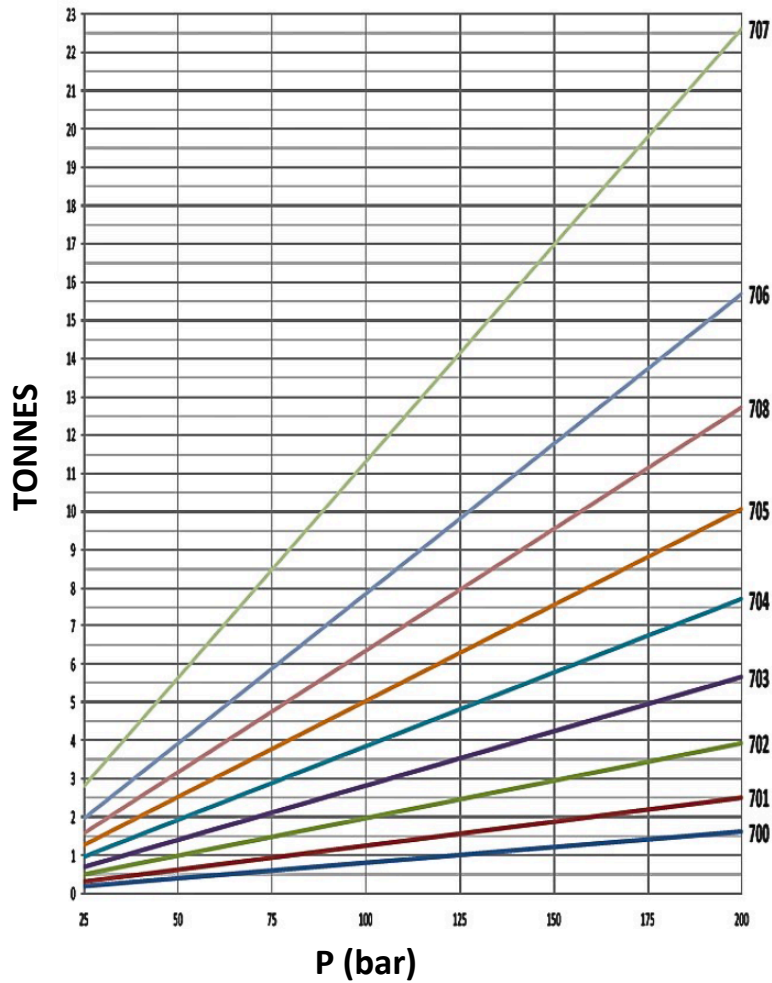
REF.	ØA	ØB	STROKE z	E	C	D	F	G	H	I	J	K	L	M BSP	VOL (L)	SEALS JOINTS	WEIGHT (kg)
703/1	30	60	100	300	22	25.25	45	70	83	40	42	45	15	3/8	0.28	J73N	5.4
703/150	30	60	150	350	22	25.25	45	70	83	40	42	45	15	3/8	0.42	J73N	6.3
703/2	30	60	200	400	22	25.25	45	70	83	40	42	45	15	3/8	0.57	J73N	7.0
703/250	30	60	250	450	22	25.25	45	70	83	40	42	45	15	3/8	0.71	J73N	7.63
703/3	30	60	300	500	22	25.25	45	70	83	40	42	45	15	3/8	0.85	J73N	8.1
703/350	30	60	350	550	22	25.25	45	70	83	40	42	45	15	3/8	0.99	J73N	9.1
703/4	30	60	400	600	22	25.25	45	70	83	40	42	45	15	3/8	1.13	J73N	9.5
703/450	30	60	450	650	22	25.25	45	70	83	40	42	45	15	3/8	1.27	J73N	10.4
703/5	30	60	500	700	22	25.25	45	70	83	40	42	45	15	3/8	1.41	J73N	10.8
703/6	30	60	600	800	22	25.25	45	70	83	40	42	45	15	3/8	1.70	J73N	12.2
703/7	30	60	700	900	22	25.25	45	70	83	40	42	45	15	3/8	1.98	J73N	13.5
703/800	30	60	800	1000	22	25.25	45	70	83	40	42	45	15	3/8	2.26	J73N	15.0
703/900	30	60	900	1100	22	25.25	45	70	83	40	42	45	15	3/8	2.56	J73N	16.4
703/1000	30	60	1000	1200	22	25.25	45	70	83	40	42	45	15	3/8	2.83	J73N	17.8
703/1100	30	60	1100	1300	22	25.25	45	70	83	40	42	45	15	3/8	3.11	J73N	19.1
703/1200	30	60	1200	1400	22	25.25	45	70	83	40	42	45	15	3/8	3.40	J73N	20.5
703/1300	30	60	1300	1500	22	25.25	45	70	83	40	42	45	15	3/8	3.68	J73N	21.9
703/1400	30	60	1400	1600	22	25.25	45	70	83	40	42	45	15	3/8	3.96	J73N	23.2
703/1500	30	60	1500	1700	22	25.25	45	70	83	40	42	45	15	3/8	4.24	J73N	24.6

BUCKLING



Data calculated according to euler. Safety coefficient 3.5

UPWARD THRUST



TRACTIVE EFFORT

