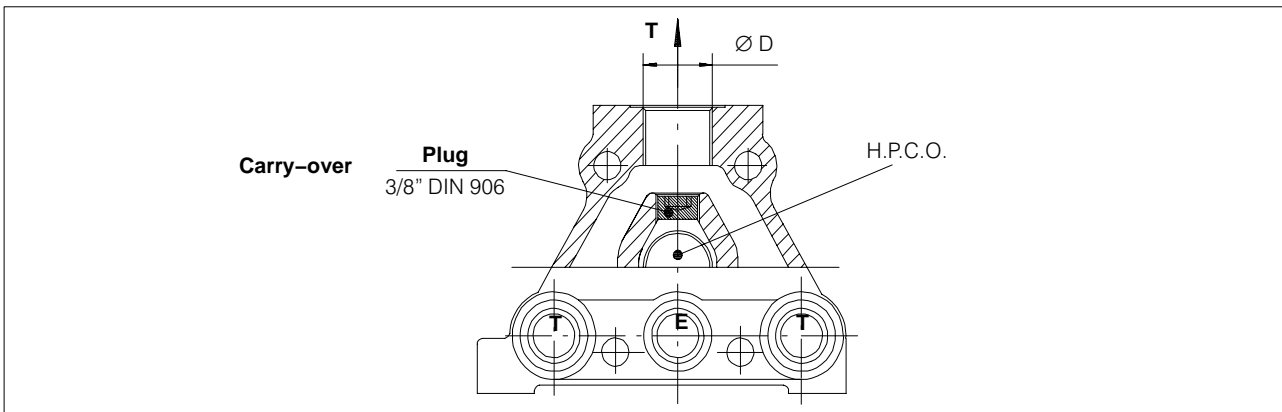
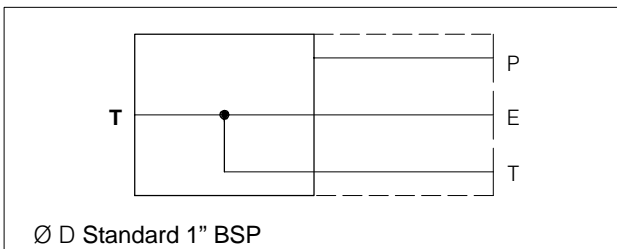


HDS30

11.5 End covers

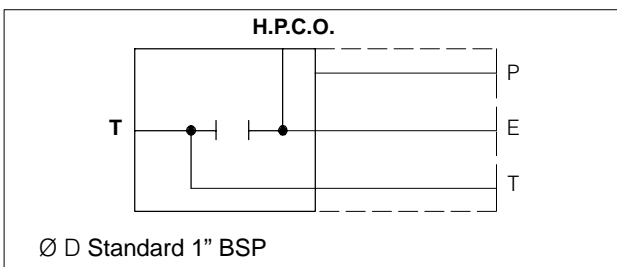


11.5.1 Left outlet cover with T for parallel circuit (Standard)



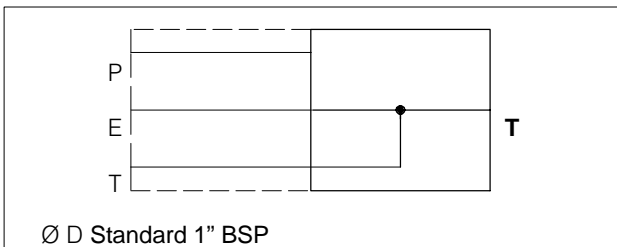
Ø D	Type	Code
1" BSP std	P02	200.9306.5001.0
SAE 16	P04	200.9306.9001.0

11.5.2 Left outlet cover with T and carry-over H.P.C.O.



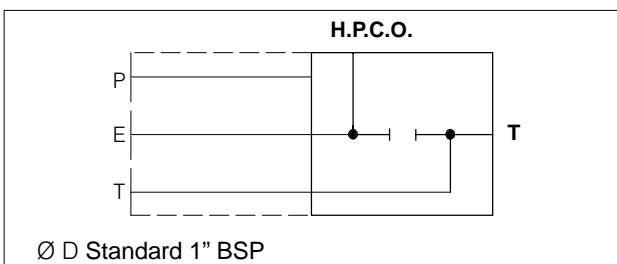
Ø D	Type	Code
1" BSP std	P06	200.9306.5002.0
SAE 16	P08	200.9306.9002.0

11.5.3 Right outlet cover with T (standard on series circuit)



Ø D	Type	Code
1" BSP std	P10	200.6306.5003.0
SAE 16	P12	200.6306.9003.0

11.5.4 Right outlet cover with T and carry-over H.P.C.O.



Ø D	Type	Code
1" BSP std	P14	200.9306.5004.0
SAE16	P16	200.9306.9004.0