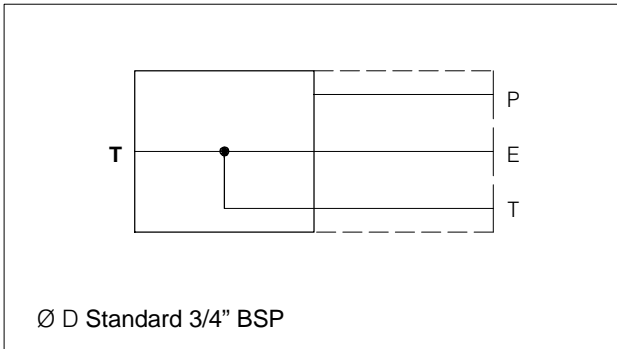
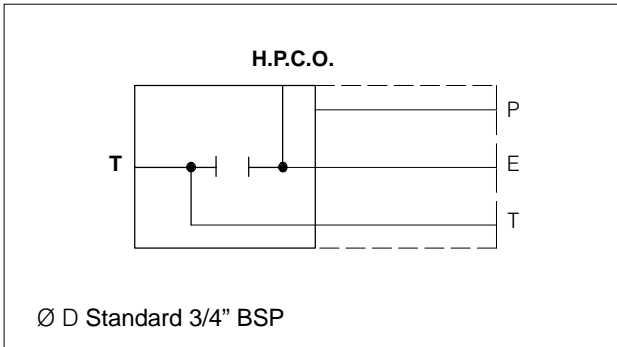


10.5.1 Left outlet cover with T for parallel circuit (Standard)



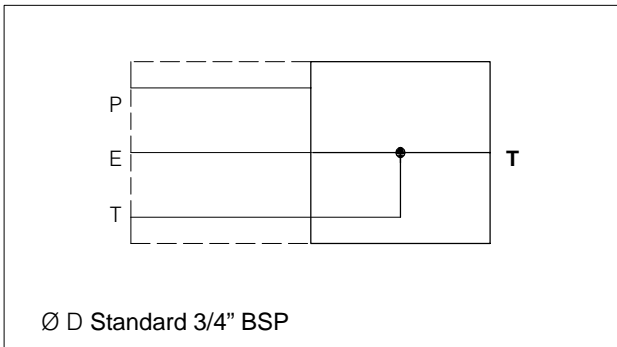
Ø D	Type	Code
M22X1.5	<b>P01</b>	200.9304.9001.0
3/4" BSP std	<b>P02</b>	200.9304.4001.0
SAE12	<b>P04</b>	200.9304.9002.0

10.5.2 Left outlet cover with T and carry-over H.P.C.O.



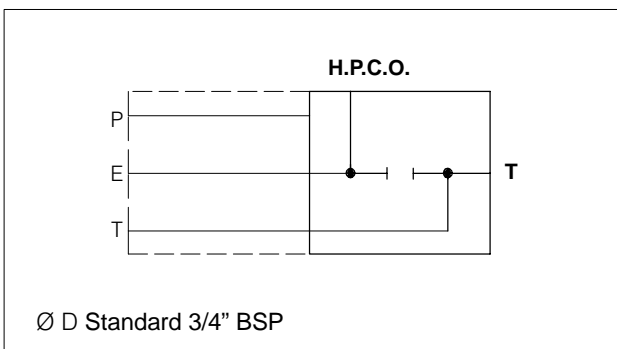
Ø D	Type	Code
M22X1.5	<b>P05</b>	200.9304.9003.0
3/4" BSP std	<b>P06</b>	200.9304.4002.0
SAE12	<b>P08</b>	200.9304.9004.0

10.5.3 Right outlet cover with T (standard on series circuit)



Ø D	Type	Code
M22X1.5	<b>P09</b>	200.6304.9005.0
3/4" BSP std	<b>P10</b>	200.6304.4003.0
SAE12	<b>P12</b>	200.6304.9006.0

10.5.4 Right outlet cover with T and carry-over H.P.C.O.



Ø D	Type	Code
M22X1.5	<b>P13</b>	200.9304.9007.0
3/4" BSP std	<b>P14</b>	200.9304.4004.0
SAE12	<b>P16</b>	200.9304.9008.0