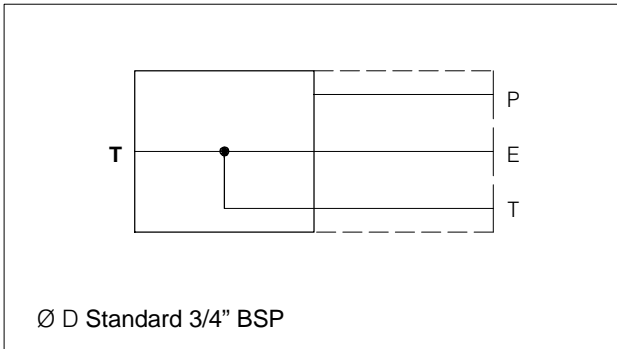
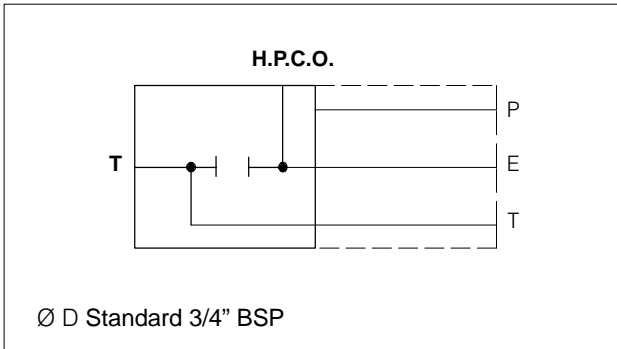


10.5.1 Left outlet cover with T for parallel circuit (Standard)



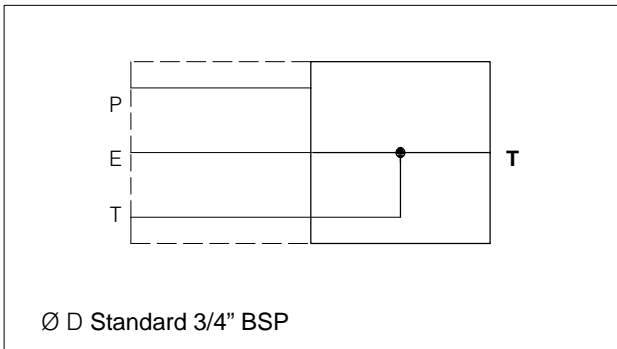
Ø D	Type	Code
M22X1.5	P01	200.9304.9001.0
3/4" BSP std	P02	200.9304.4001.0
SAE12	P04	200.9304.9002.0

10.5.2 Left outlet cover with T and carry-over H.P.C.O.



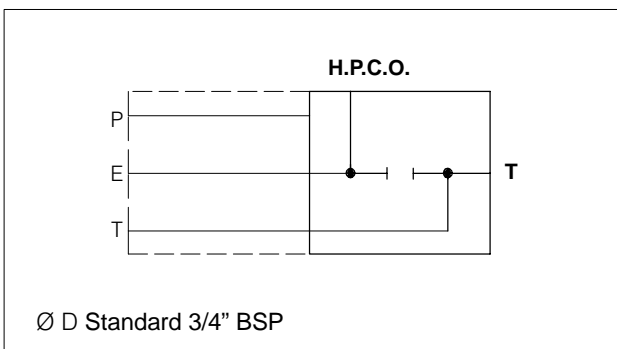
Ø D	Type	Code
M22X1.5	P05	200.9304.9003.0
3/4" BSP std	P06	200.9304.4002.0
SAE12	P08	200.9304.9004.0

10.5.3 Right outlet cover with T (standard on series circuit)



Ø D	Type	Code
M22X1.5	P09	200.6304.9005.0
3/4" BSP std	P10	200.6304.4003.0
SAE12	P12	200.6304.9006.0

10.5.4 Right outlet cover with T and carry-over H.P.C.O.



Ø D	Type	Code
M22X1.5	P13	200.9304.9007.0
3/4" BSP std	P14	200.9304.4004.0
SAE12	P16	200.9304.9008.0