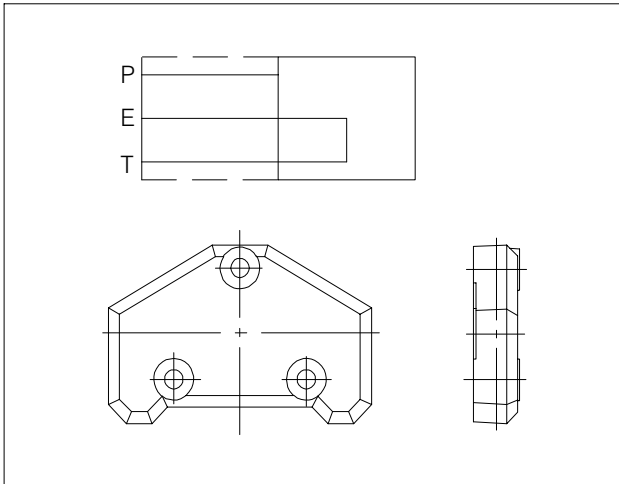


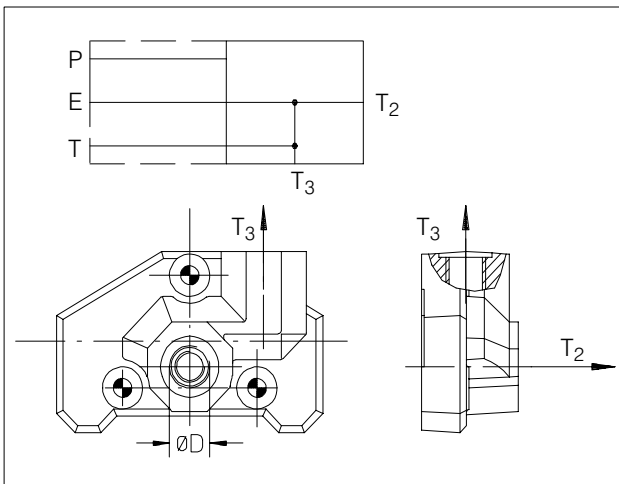
9A.6 End covers

9A.6.1 Standard end cover



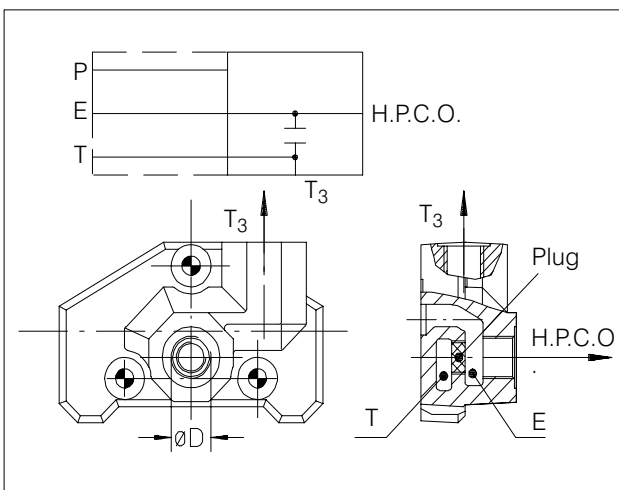
Type/Code	
Standard circuit parallel	Optional circuit series and tandem
P31 200.6302.9010.0	P32 200.9302.9011.0

9A.6.2 Cover with end outlet T₂ and T₃



Ø D	Type/Code	
	Standard circuit parallel	Optional circuit series and tandem
M18X1.5	P01 200.9302.1006.0	P41 200.9302.1004.0
3/8" BSP	P02 200.9302.2007.0	P42 200.9302.2005.0
1/2" BSP	P03 200.9302.3007.0	P43 200.9302.3005.0
SAE10	P05 200.9302.8003.0	P45 200.9302.8006.0
3/4" BSP	P09 200.9302.4001.0	P49 200.9302.4003.0

9A.6.3 Cover with end outlet T₃ and H.P.C.O. (carry-over)



Ø D	Type/Code	
	Standard circuit parallel	Optional circuit series and tandem
M18X1.5	P11 200.9302.1003.0	P51 200.9302.1005.0
3/8" BSP	P12 200.9302.2004.0	P52 200.9302.2006.0
1/2" BSP	P13 200.9302.3004.0	P53 200.9302.3006.0
SAE10	P15 200.9302.8002.0	P55 200.9302.8004.0
3/4" BSP	P19 200.9302.4002.0	P59 200.9302.4004.0