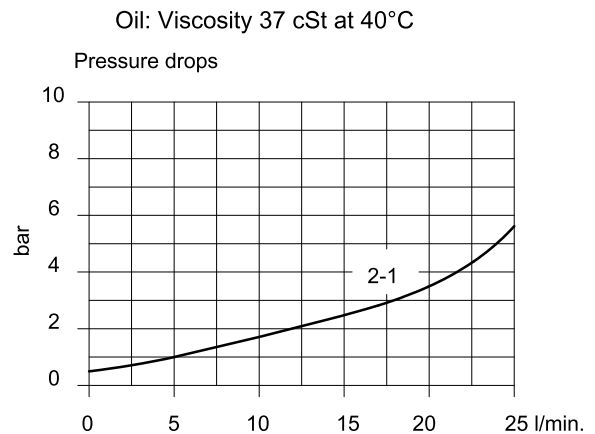
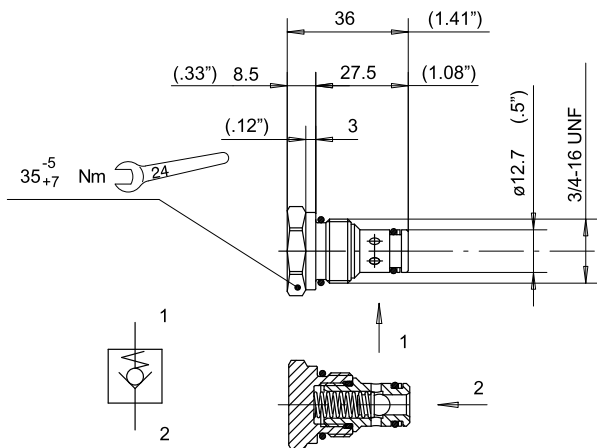


### 7.3 Check valves

#### 7.3.1 Check valve: RS3/817

Ball type  
Flow from 2 to 1  
Code ..... 200787601410  
Max. pressure ..... 230 bar

Max. flow: ..... 25 l/min.  
Cracking pressure ..... 0.5 bar  
Temperature range ..... -20/+90 °C  
O-Ring replacement kit ..... 200974200160  
Weight ..... 0.040 Kg

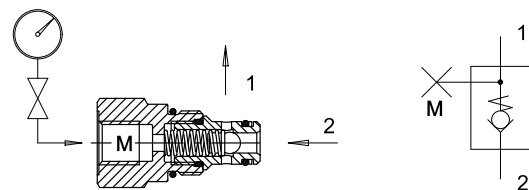
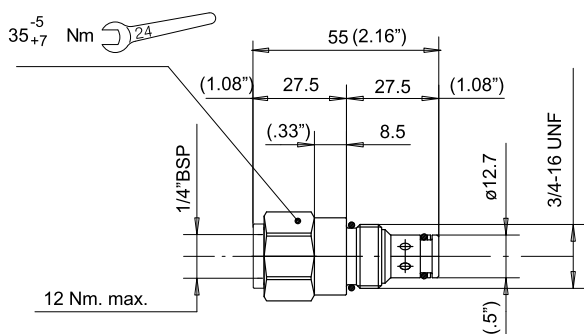


#### 7.3.2 Check valve: RM3/817-A

Ball type  
Flow from 2 to 1  
Pressure through 1 and M

Max. pressure. .... 230 bar  
Max. Flow: ..... 25 l/min.  
Cracking pressure ..... 0.5 bar  
Temperature range ..... -20/+90 °C  
O-Ring replacement kit ..... 200974200160  
Weight: ..... 0.070 Kg

Code: ..... 200787602160



Port M must be used only as a pressure outlet.  
Normally supplied plugged.

Apply the prescribed tightening torque at port **M**.  
Pressure drops: see RS3/817 performances