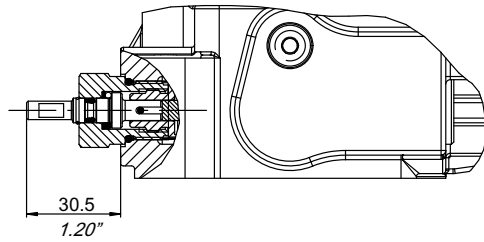
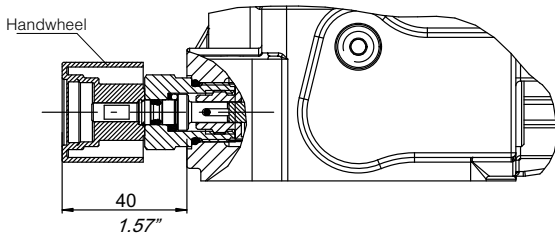
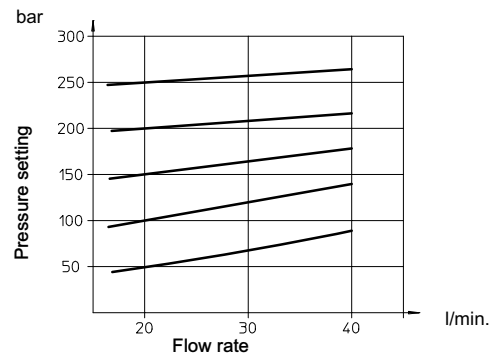
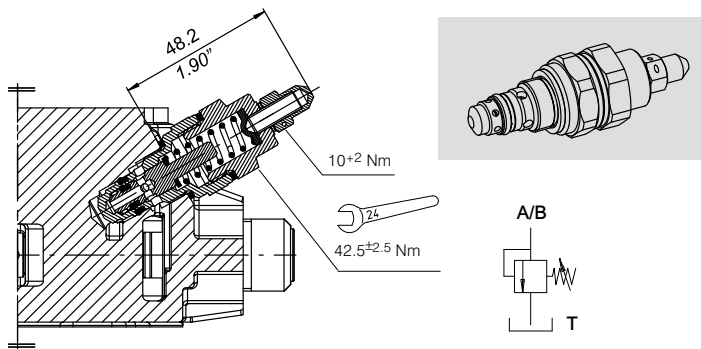


6.2 Priority flow divider pressure compensated valve



Valve code: 200787201540 (code without handwheel, handwheel code: 200661890040)

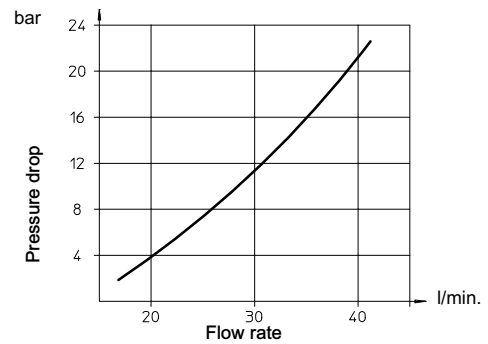
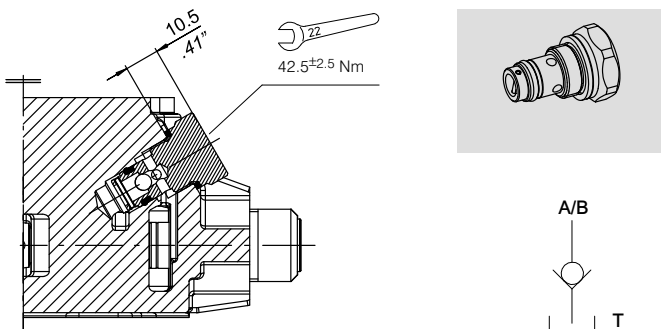
6.3 Port relief valve OA (antishock)



Pressure set range bar (PSI)	Type	Code	Spring code
0-30 (0-400)	OA/A02 OA/B02	200787400920	200662401130
31-130 (400-1900)	OA/A06 OA/B06	200787400940	200662400700
131-300 (1900-4300)	OA/A15* OA/B15	200787400930	200662400770
VC (Plugged valve)		200778400040	-

Setting is made, at required pressure, with flow Q = 16 l/min

6.4 Anti-cavitation valve C



Type	Code
C/A or C/B	200787600930
VC (Plugged valve)	200778400040