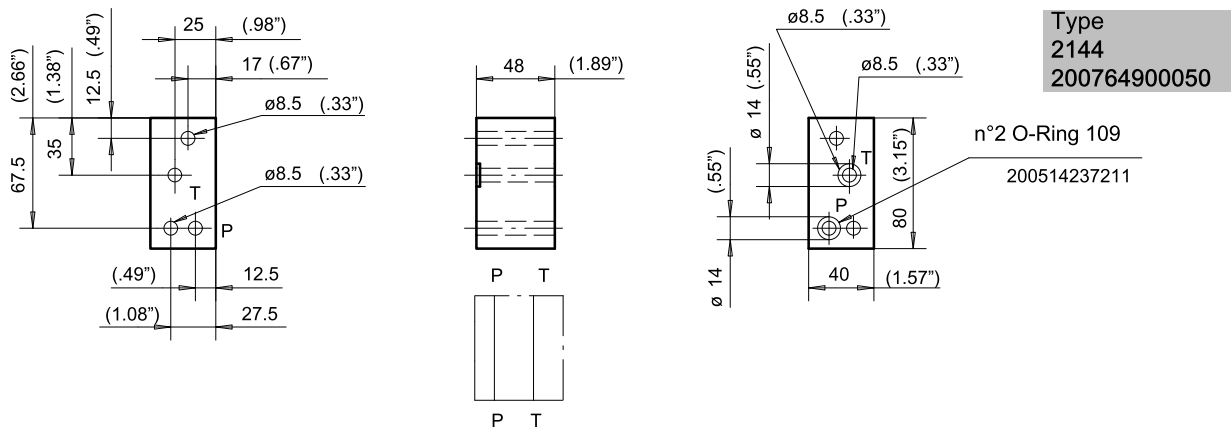


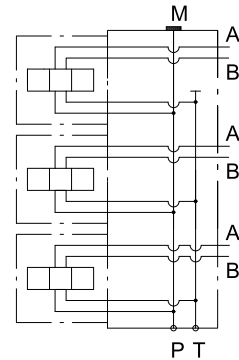
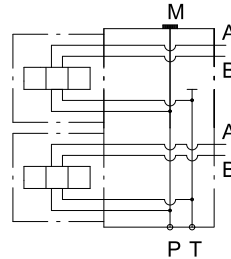
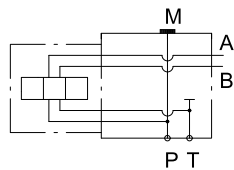
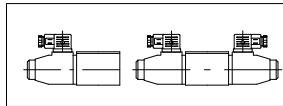
## 8.2 CETOP3 R35H-ISO4401

### 8.2.1 Intermediate plate 2144 for manifolds 5073-5033-5053-2083-2043-2013



### 8.2.2 Parallel circuit - Monobloc manifolds 1-2-3 for solenoid valves DIN24350 FORM A CETOP R35H-ISO4401

A-B ports	3/8" BSP
Port M (plugged)	1/4" BSP



Rear A/B ports : **5073** 200764600030

**5033** 200764600080

**5053** 200764601080

Lateral A/B ports : **5173** 200764600020

**5133** 200764600040

**5153** 200764600050

\* for versions with 4 and more solenoid valves please contact our Sales Center