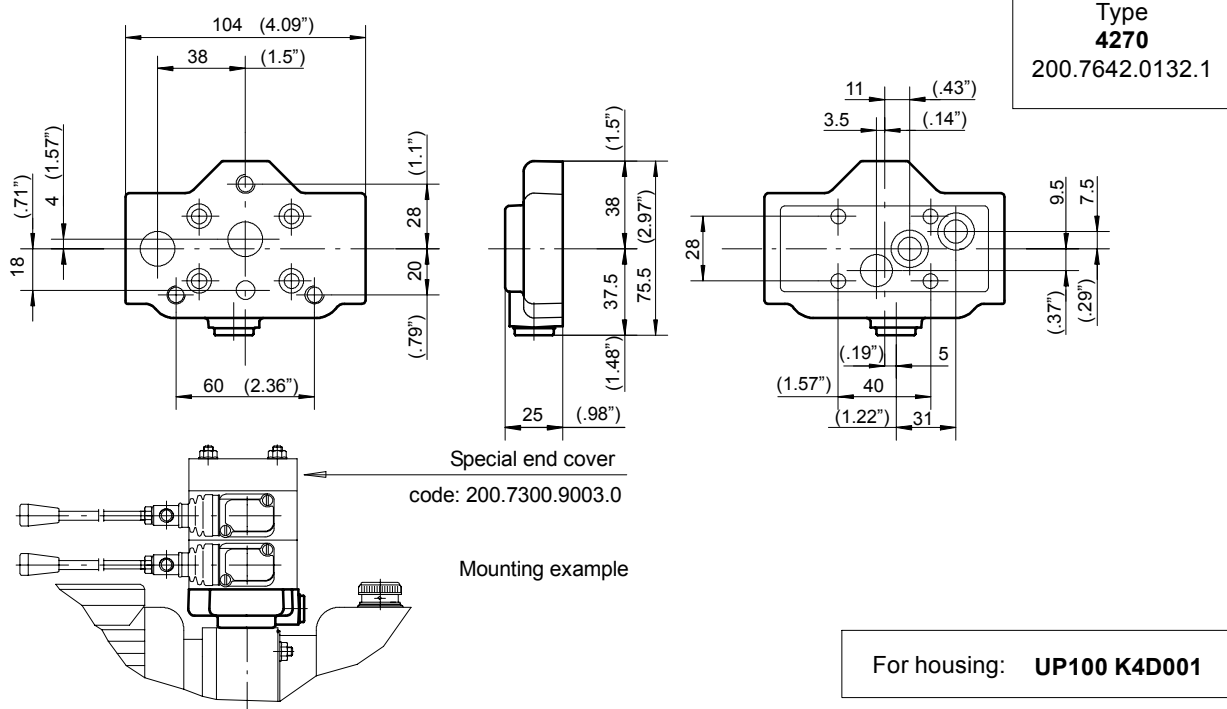
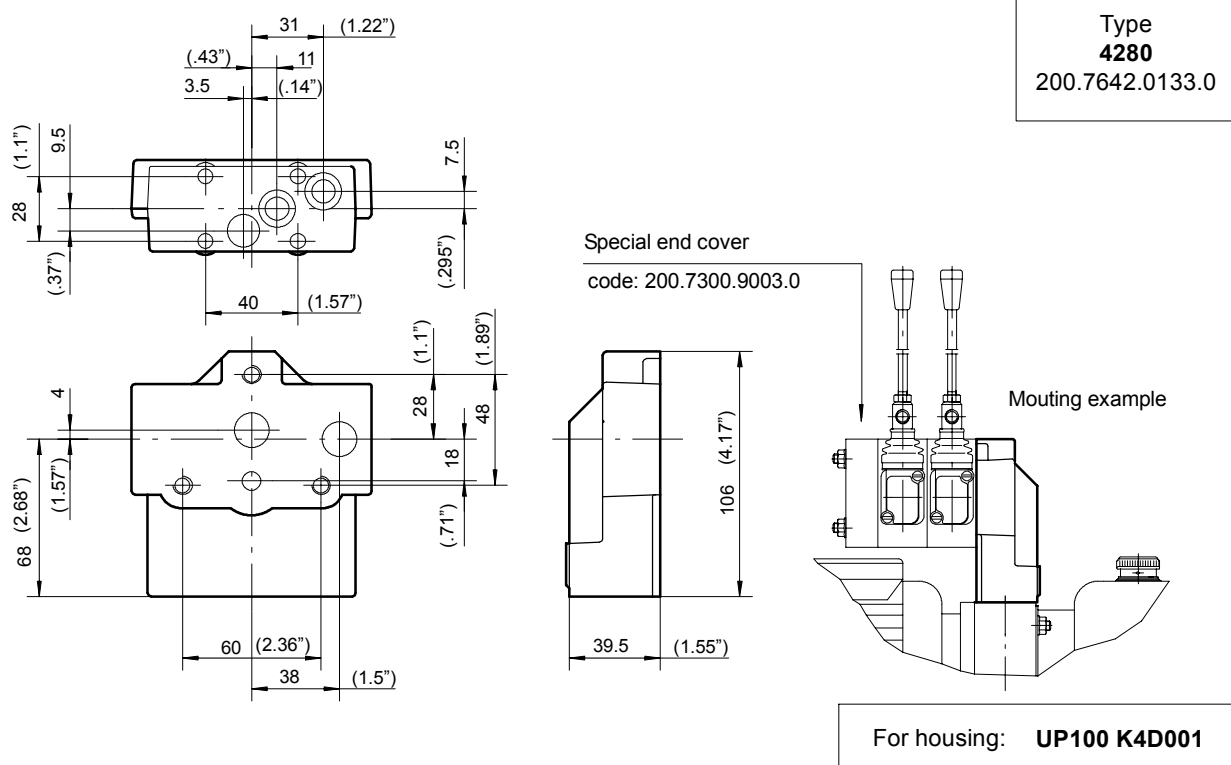


8.10 Manifolds for HDS11-HDS07 directional control valve - Vertical mounting



8.11 Manifold for HDS11-HDS07 directional control valve - Horizontal mounting



For technical information regarding performance, ordering information and selection, please, refer to the HDS07 and HDS11 section of the Directional control valve catalogue