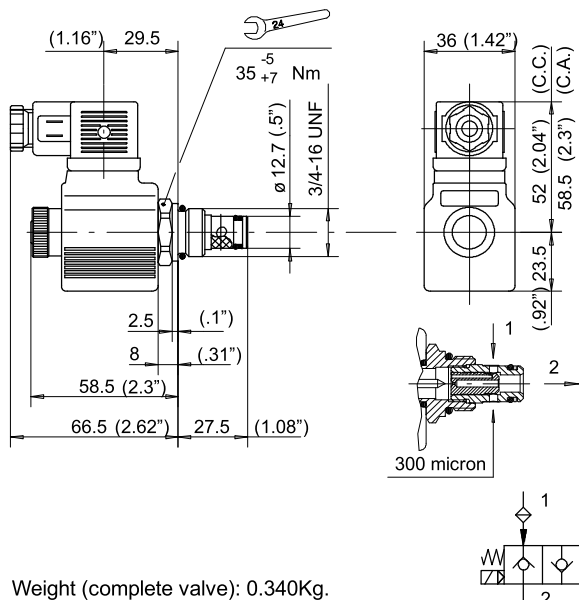


7.4.4 Solenoid operated directional valve:

SPF817/22-TO

Normally open Poppet type
Pilot type Flow from 1 to 2, not admitted from 2 to 1



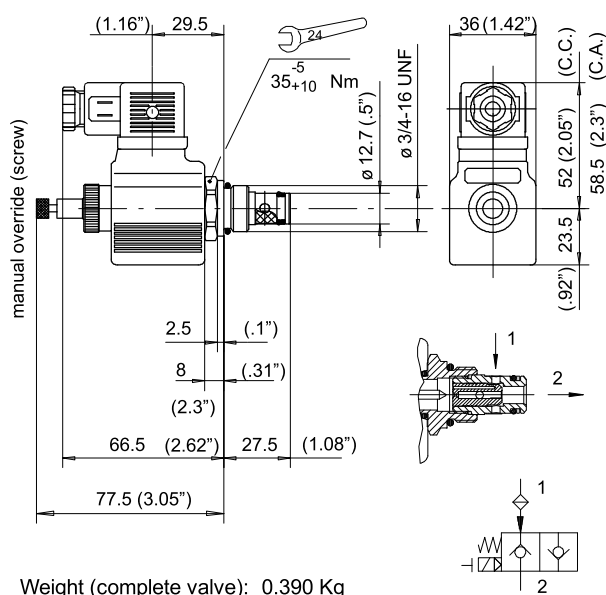
Weight (complete valve): 0.340Kg.

Directional valve without coil and connector

SPF817/22-TO P.M.	200.7572.0020.0
-------------------	-----------------

SPE817/22-TO

With manual override



Weight (complete valve): 0.390 Kg

Directional valve without coil and connector

SPE817/22-TO P.M.	200.7572.0054.0
-------------------	-----------------

Coil voltage - A.C. supply requires a connector with bridge rectifier included.

	D.C.		A.C.		
	12 V.	24 V.	24 V.	110 V.	220 V.
Type	13	23	21	41	51

Complete solenoid valve for D.C. current

SPF817/22-TO-13-HC	200.9570.1002.1
SPF817/22-TO-23-HC	200.9570.2002.0

Complete solenoid valve for D.C. current

SPE817/22-TO-13-HC	200.9570.1005.6
SPE817/22-TO-23-HC	200.9570.2005.8

Complete solenoid valve for A.C. current

SPF817/22-TO-21-HC	200.9569.2002.0
SPF817/22-TO-41-HC	200.9569.4001.8
SPF817/22-TO-51-HC	200.9569.6001.8

Complete solenoid valve for A.C. current

SPE817/22-TO-21-HC	200.9569.2004.4
SPE817/22-TO-41-HC	200.9569.4003.8
SPE817/22-TO-51-HC	200.9569.6004.1

Electric performances

Max. pressure	300 bar
Max. recommended pressure	210 bar
Max. flow	25 l/min.
Rated power	22 Watt
Intermittence	ED= 100%
Voltage tolerance	± 10%
Internal leakage	0-5 drops/min.
Temperature range	-20/+90° C
Connector type	DIN 43650
Time to open (50-210 bar)	15-60 ms.
Time to close (50-210 bar)	15-60 ms.
O-Ring replacement kit	200.9742.0014.0

