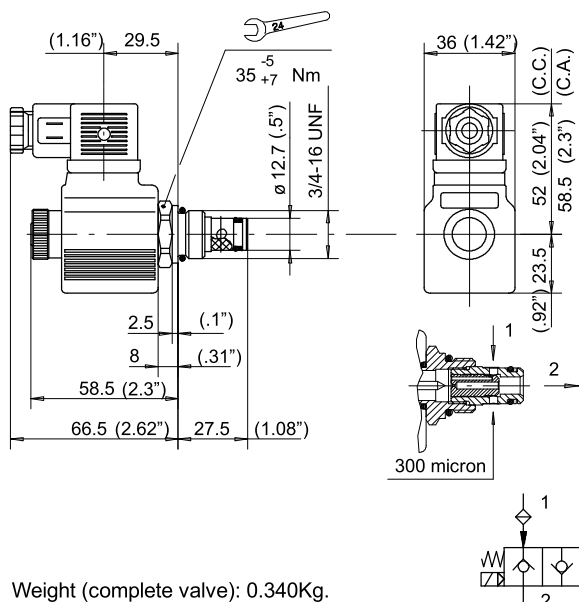


7.4.4 Solenoid operated directional valve:

SPF817/22-TO

Normally open Poppet type
Pilot type Flow from 1 to 2, not admitted from 2 to 1



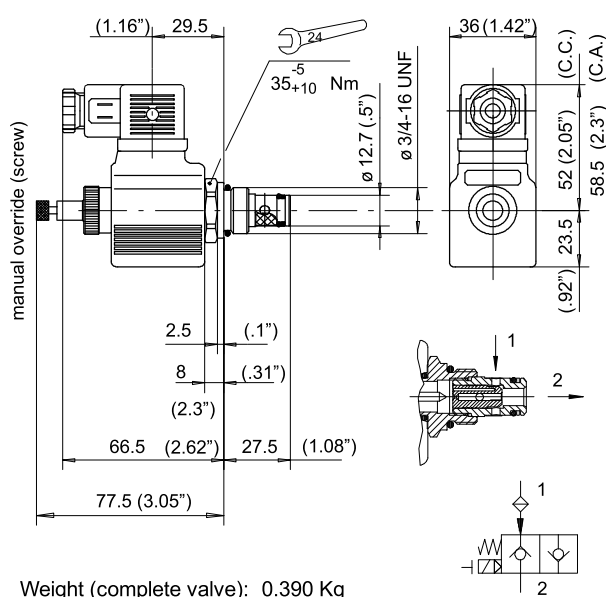
Weight (complete valve): 0.340Kg.

Directional valve without coil and connector

SPF817/22-TO P.M.	200.7572.0020.0
-------------------	-----------------

SPE817/22-TO

With manual override



Weight (complete valve): 0.390 Kg

Directional valve without coil and connector

SPE817/22-TO P.M.	200.7572.0054.0
-------------------	-----------------

Coil voltage - A.C. supply requires a connector with bridge rectifier included.

	D.C.		A.C.		
Volt	12 V.	24 V.	24 V.	110 V.	220 V.
Type	13	23	21	41	51

Complete solenoid valve for D.C. current

SPF817/22-TO-13-HC	200.9570.1002.1
SPF817/22-TO-23-HC	200.9570.2002.0

Complete solenoid valve for D.C. current

SPE817/22-TO-13-HC	200.9570.1005.6
SPE817/22-TO-23-HC	200.9570.2005.8

Complete solenoid valve for A.C. current

SPF817/22-TO-21-HC	200.9569.2002.0
SPF817/22-TO-41-HC	200.9569.4001.8
SPF817/22-TO-51-HC	200.9569.6001.8

Complete solenoid valve for A.C. current

SPE817/22-TO-21-HC	200.9569.2004.4
SPE817/22-TO-41-HC	200.9569.4003.8
SPE817/22-TO-51-HC	200.9569.6004.1

Electric performances

Max. pressure	300 bar
Max. recommended pressure	210 bar
Max. flow	25 l/min.
Rated power	22 Watt
Intermittence	ED= 100%
Voltage tolerance	± 10%
Internal leakage	0-5 drops/min.
Temperature range	-20/+90° C
Connector type	DIN 43650
Time to open (50-210 bar)	15-60 ms.
Time to close (50-210 bar)	15-60 ms.
O-Ring replacement kit	200.9742.0014.0

