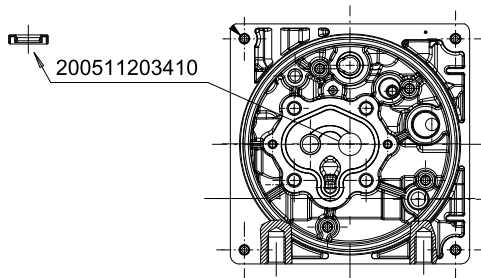


1.6 Preassembled housings

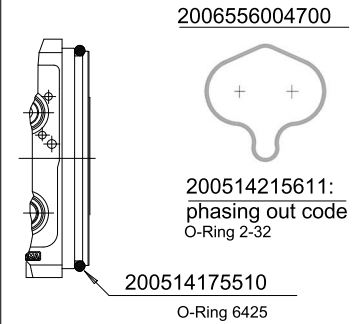
The table summarizes part number to be stated in the event that is wished to order the housing sub-assembly fitted with shaft seal only. Remember that the preassembled housing

is supplied without the O-Rings kit, which must be ordered separately.

Preassembled housing K1-K3-K4-K6 with shaft seal



O-Rings kit 200974200400

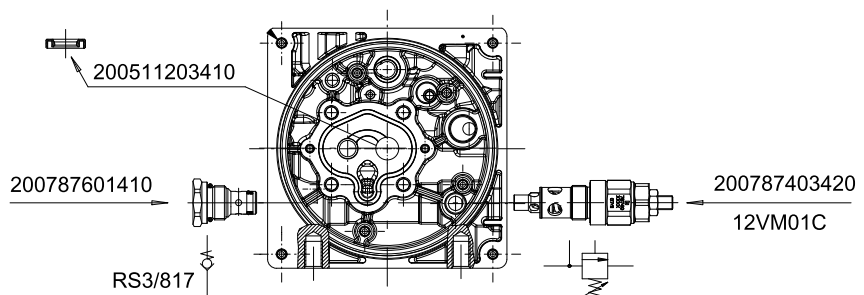


	Body type	Code
K1	UP100 K1G2-01	200740431021
	UP100 K1G3-01	200740431141
	UP100 K1G2-19	200740431471
	UP100 K1M3-01	200740431620
K3	UP100 K3P0-01	200740410531
	UP100 K3P0-02	200740410541
	UP100 K3G2-01	200740420071
	UP100 K3S2-01	200740420101

	Body type	Code
K4	UP100 K4G2-01	200740420111
	UP100 K4P0-01	200740410561
	UP100 K4D0-01	200740440321
	UP100 K4D0-02	200740440321
K6	UP100 K6G2-01	200740431381
	UP100 K6G3-01	200740431391
	UP100 K6S2-02	200740431401

Preassembled housing K1-K3-K4-K6 with shaft seal, relief and check valve

Pressure relief valve with setting range 96-220 bar (green spring).
For other values, order the different springs separately
See: section 7.2 - Cartridge valves



	Body type	Code
K1	UP100 K1G2-01	200740430681
	UP100 K1G3-01	200740430661
	UP100 K1G2-19	200740431481
K3	UP100 K3P0-01	200740410381
	UP100 K3P0-02	200740410411
	UP100 K3G2-01	200740410421
	UP100 K3S2-01	200740420061

	Body type	Code
K4	UP100 K4G2-01	200740410431
	UP100 K4P0-01	200740410401
	UP100 K4D0-01	200740440251
	UP100 K4D0-02	200740440261
K6	UP100 K6G2-01	200740431411
	UP100 K6G3-01	200740431421
	UP100 K6S2-02	200740431431