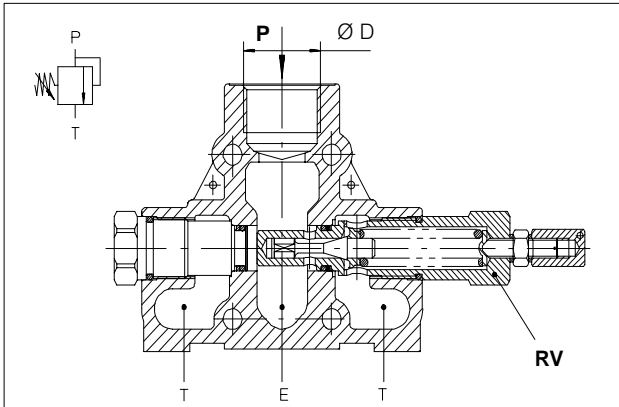


10.4 Inlet covers

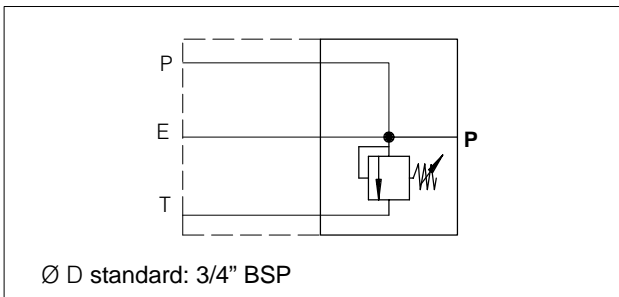
10.4.1 Adjustable direct acting Relief Valve RV

Relief valve set at 30 l/min (8 U.S.G.P.M.)



Pressure set range bar (PSI)	Std. setting bar (PSI)	Type	Spring colour
30 - 95 (400 - 1300)	60 (860)	06	Yellow (YE)
96 - 210 (1300 - 3000)	150 (2100)	15	Green (GR)
211 - 320 (3000 - 4600)	260 (3700)	26	Blue (BL)

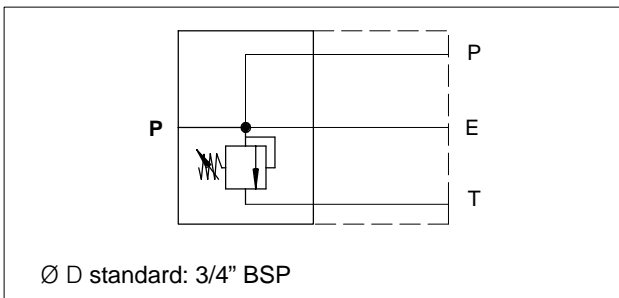
10.4.2 Right inlet manifold (standard) with P and RV for parallel circuit



Ø D	Type	Code
M22X1.5	T01	* 200.9314.9001.0
3/4" BSP	T02	* 200.7314.4001.0
SAE12	T04	* 200.9314.9002.0

* Group code with RV set at standard pressure 150 bar (2100 PSI)

10.4.3 Left inlet manifold with P and RV (standard on series circuit)



Ø D	Type	Code
M22X1.5	T09	* 200.9314.9003.0
3/4" BSP	T10	* 200.9314.4002.0
SAE12	T12	* 200.9314.9004.0

* Group code with RV set at standard pressure 150 bar (2100 PSI)

10.5 End covers

