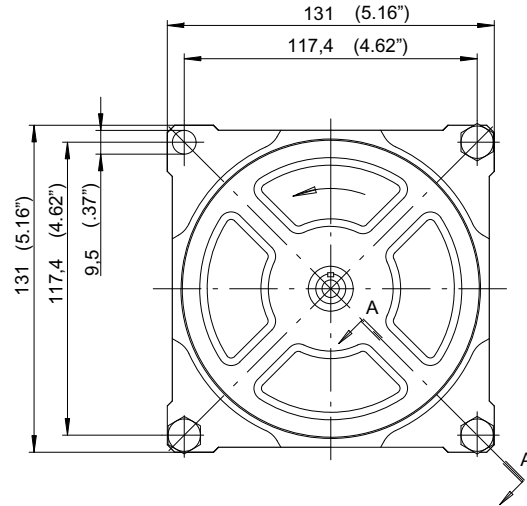
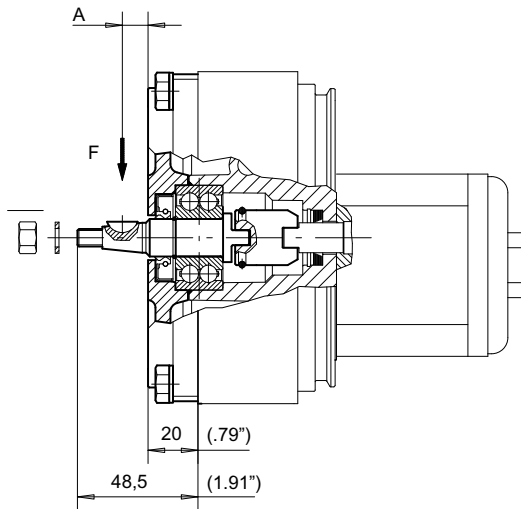


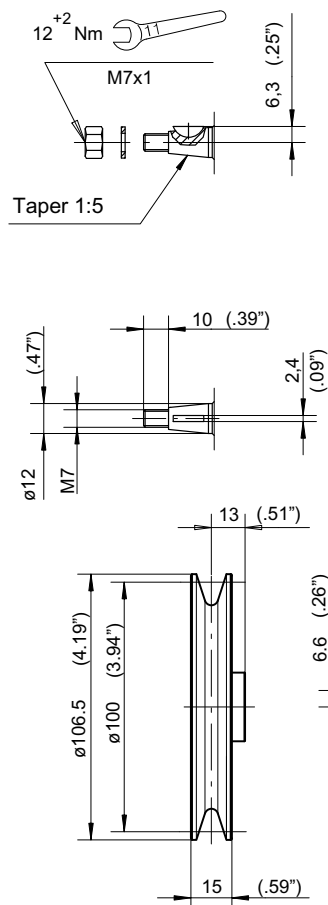
6.11 Drive E181

- The E181 Drive is mostly used in application where radial or axial forces occur like: Pulley drive, gear drive, etc.
- The E181 drive can be used with any type of UP100K housing rotation counterclockwise.

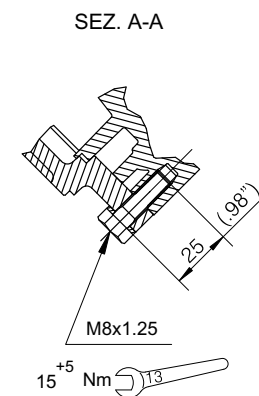
Code E181 200760400470



Shaft end

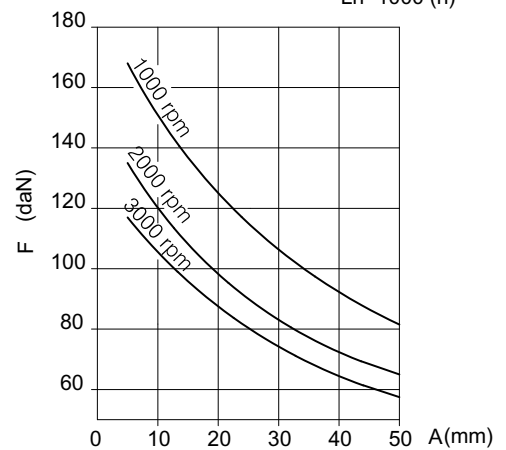


Fixing system



Bearing life

Lh=1000 (h)



Drive E181 does not include the Ø100 pulley, which must be ordered separately

Ø100 pulley, part number: 200669000010