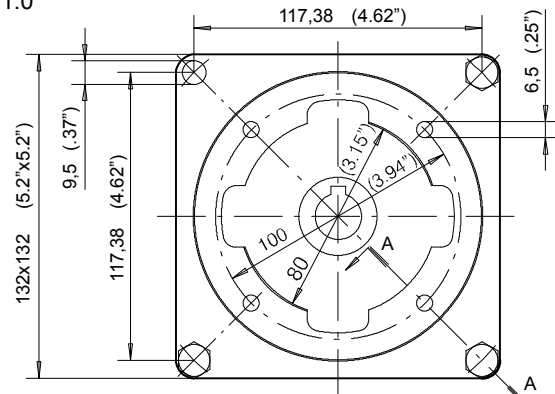
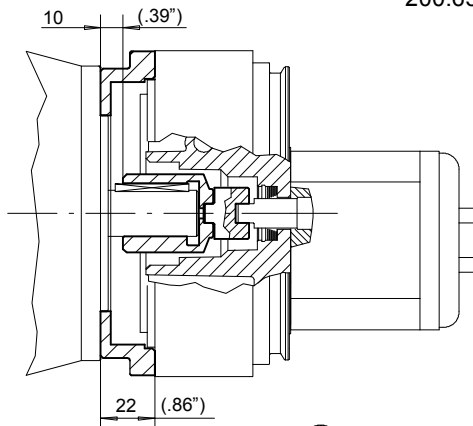


6.7 Drive E131

Code E131 **200.9604.0043.0**

Flange code
200.6582.0011.0

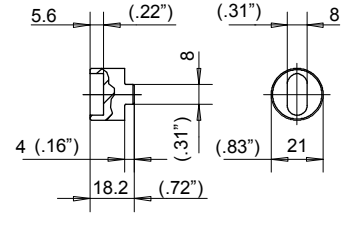
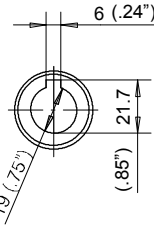
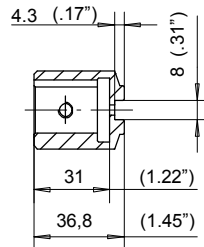
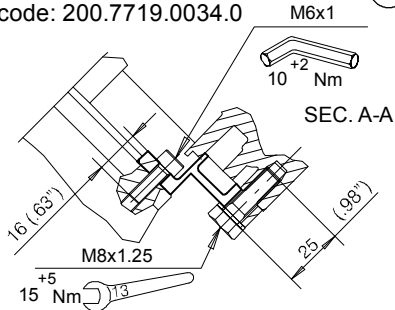


Fixing system

Kit code: 200.7719.0034.0

(A) Motor coupling 200.6594.0019.0

(B) Pump coupling: 200.6594.0033.0

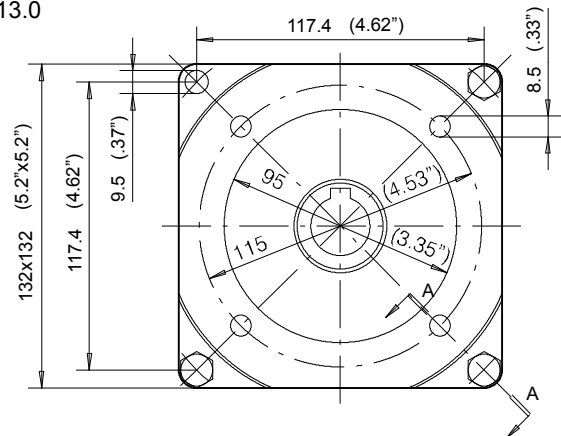
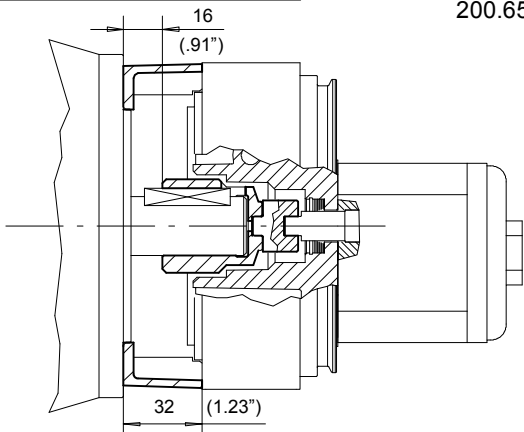


(A) + (B) Code: 200.9594.0012.0

6.8 Drive E132

Code E132 **200.9604.0044.0**

Flange code
200.6582.0013.0

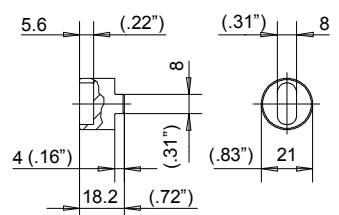
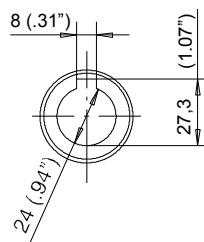
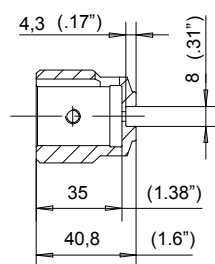
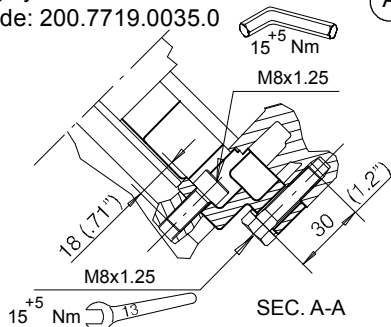


Fixing system

Kit code: 200.7719.0035.0

(A) Motor coupling: 200.6594.0023.0

(B) Pump coupling: 200.6594.0033.0

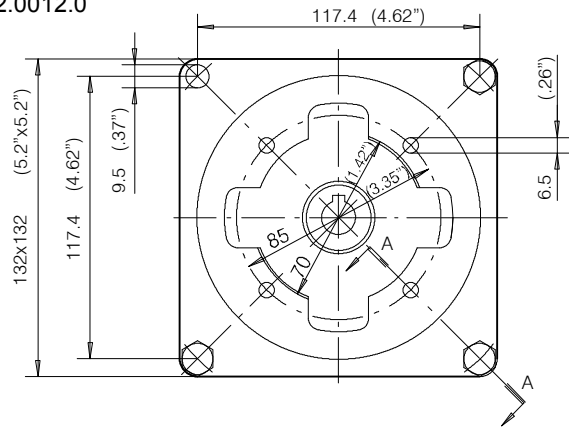
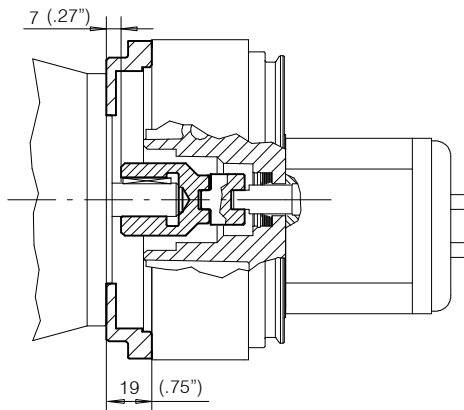


(A) + (B) Code: 200.9594.0013.0

6.9 Drive E133

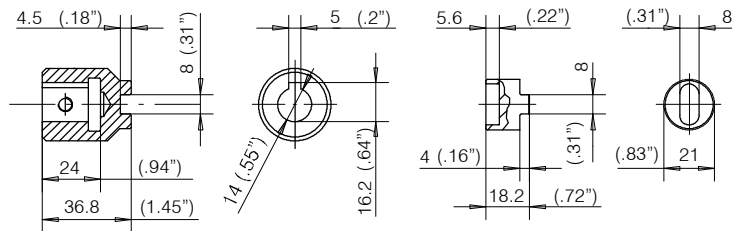
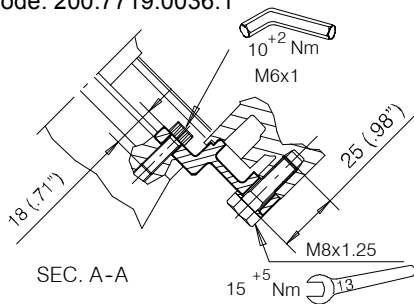
Code E133 **200.9604.0042.0**

Flange code
200.6582.0012.0



Fixing system
Kit code: 200.7719.0036.1

(A) Motor coupling 200.6594.0022.0 (B) Pump coupling 200.6594.0033.0

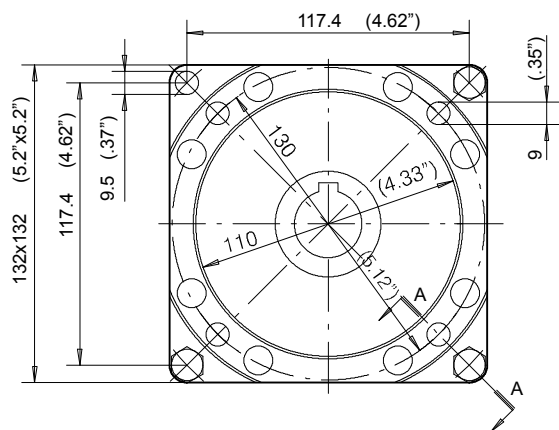
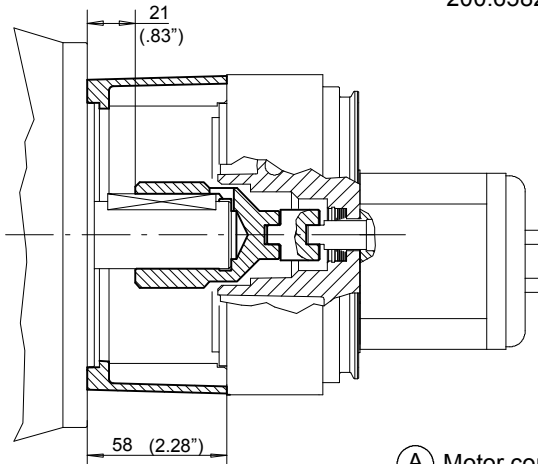


(A) + (B) Code: 200.9594.0011.0

6.10 Drive E137

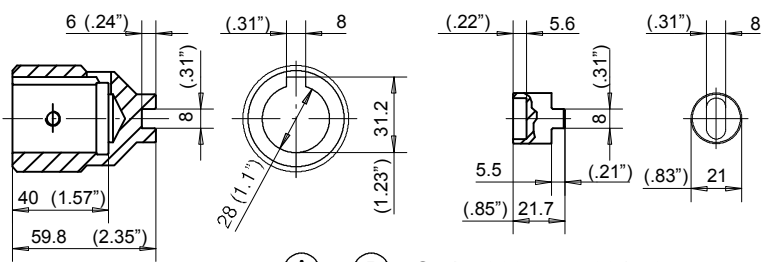
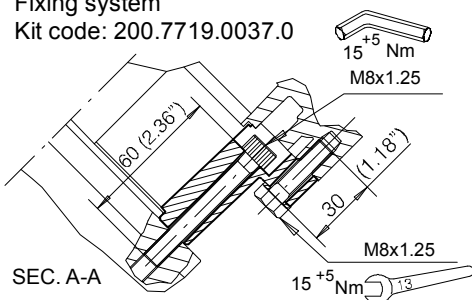
Code E137 **200.9604.0045.0**

Flange code
200.6582.0014.0



Fixing system
Kit code: 200.7719.0037.0

(A) Motor coupling: 200.6594.0024.0 (B) Pump coupling: 200.6594.0032.0



(A) + (B) Code: 200.9594.0014.0