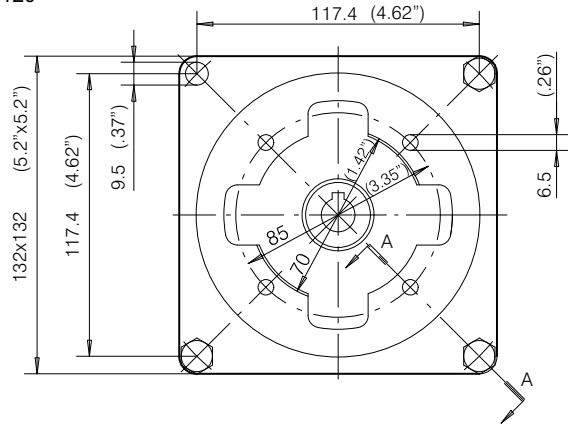
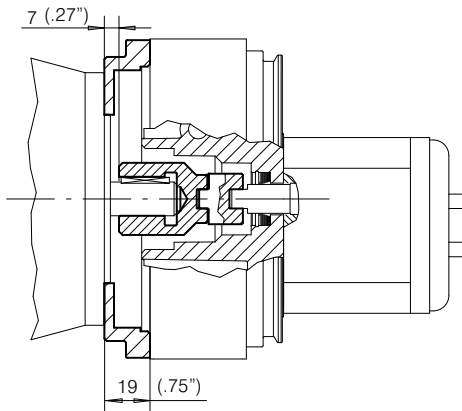


## 6.9 Drive E133

Code E133 200960400420

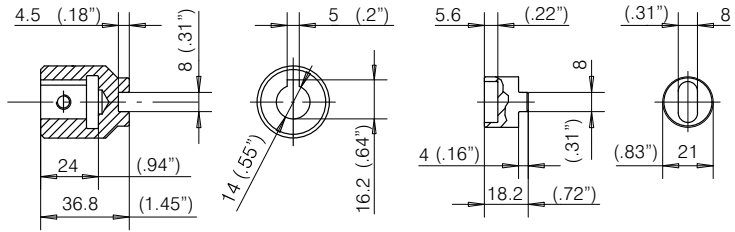
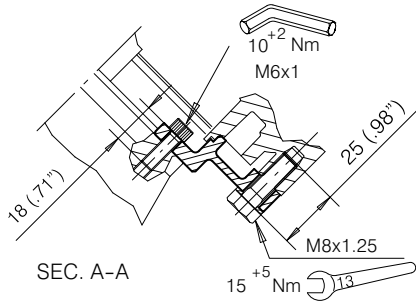
Flange code  
200658200120



Fixing system  
Kit code: 200771900361

(A) Motor coupling 200659400220

(B) Pump coupling 200659400330

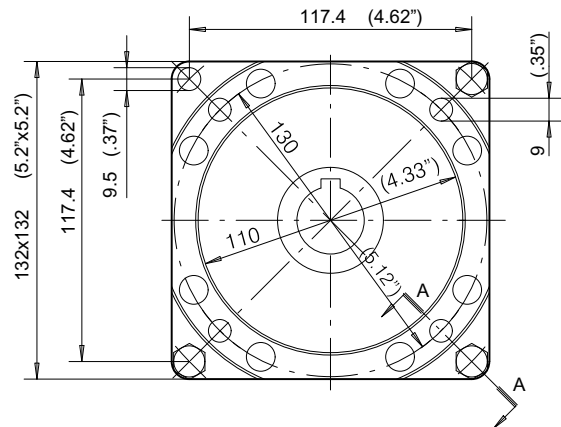
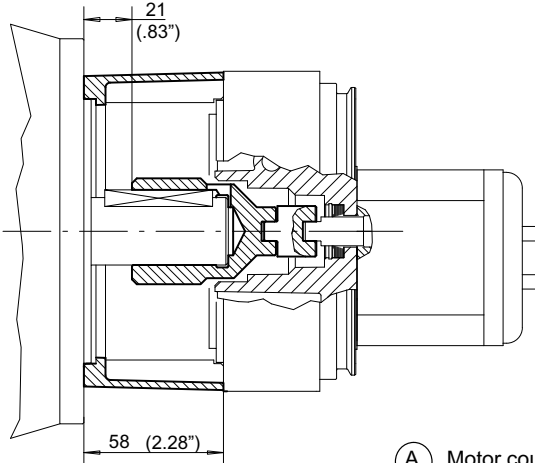


(A) + (B) Code: 200959400110

## 6.10 Drive E137

Code E137 200960400450

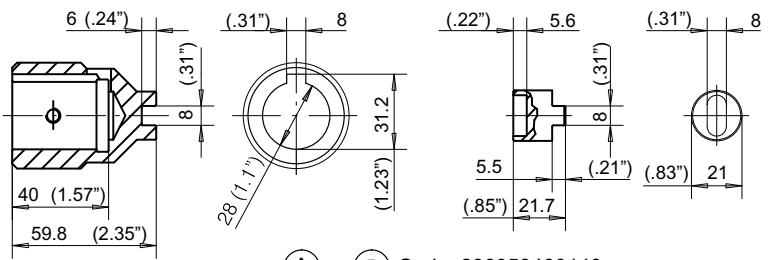
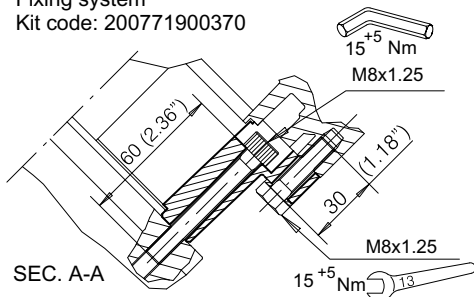
Flange code  
200658200140



Fixing system  
Kit code: 200771900370

(A) Motor coupling: 200659400240

(B) Pump coupling: 200659400320



(A) + (B) Code: 200959400140