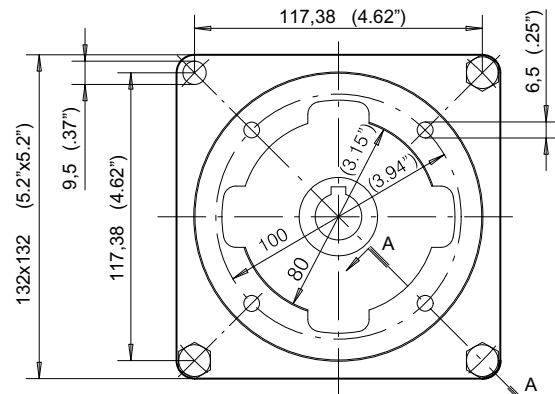
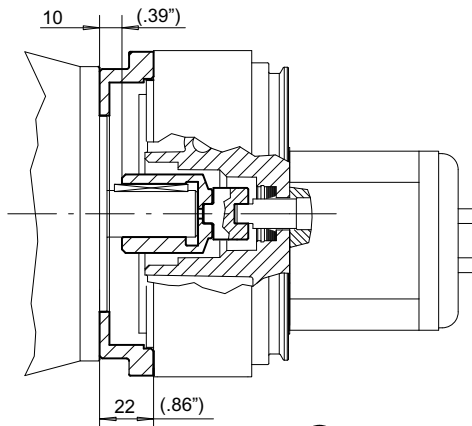


6.7 Drive E131

Code E131 200960400430

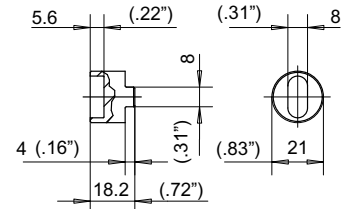
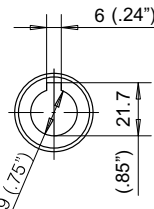
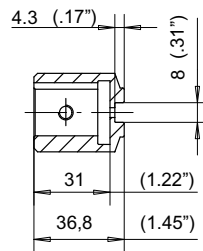
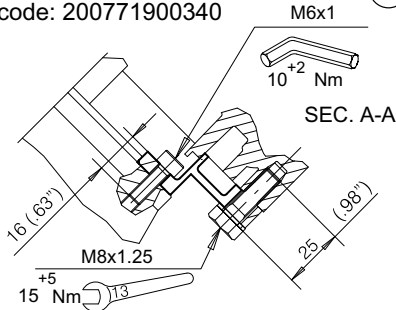
Flange code
200658200110



Fixing system
Kit code: 200771900340

(A) Motor coupling 200659400190

(B) Pump coupling: 200659400330

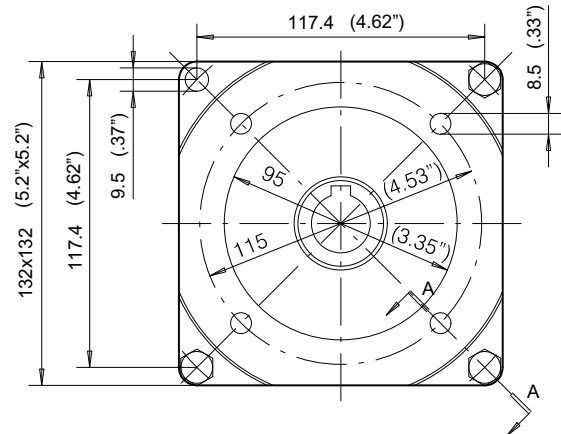
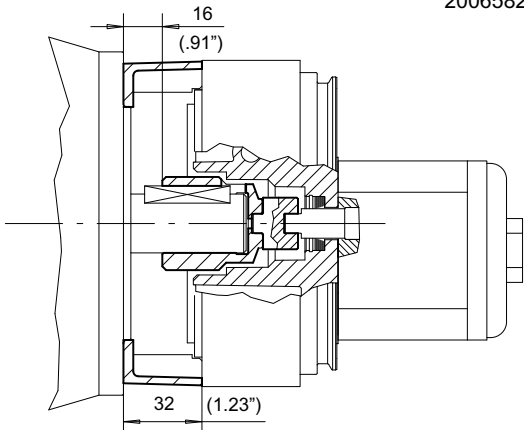


(A) + (B) Code: 200959400120

6.8 Drive E132

Code E132 200960400440

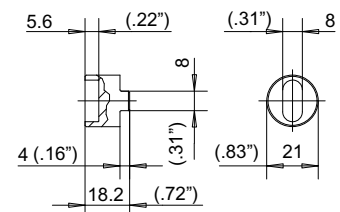
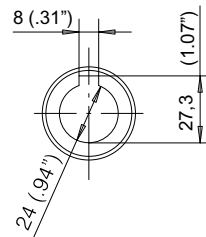
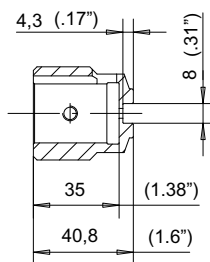
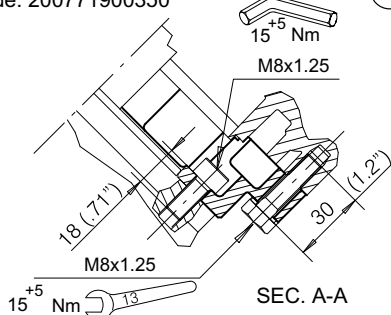
Flange code
200658200130



Fixing system
Kit code: 200771900350

(A) Motor coupling: 200659400230

(B) Pump coupling: 200659400330



(A) + (B) Code: 200959400130