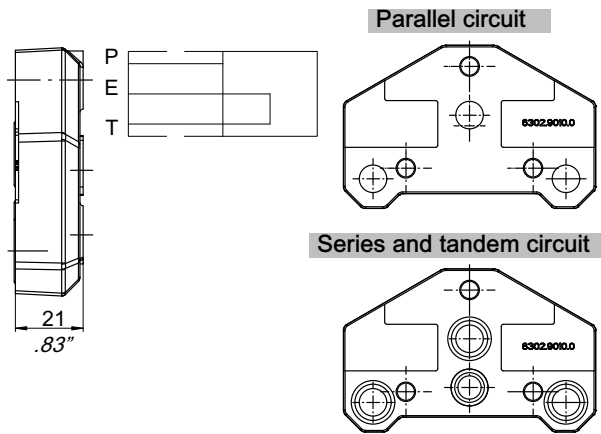
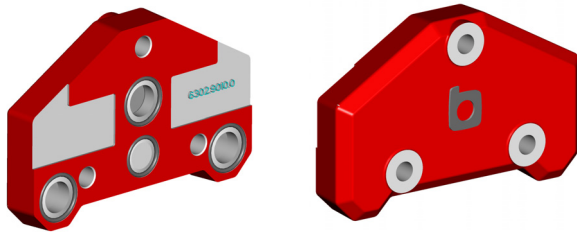
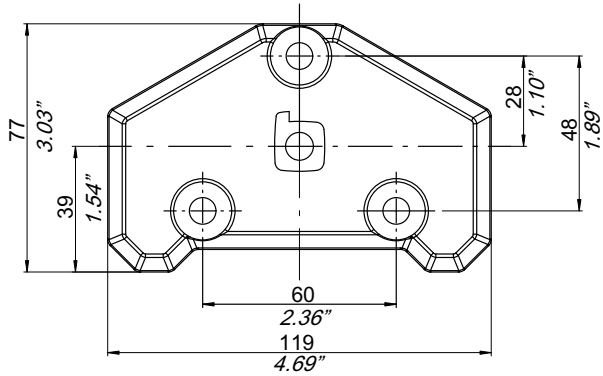


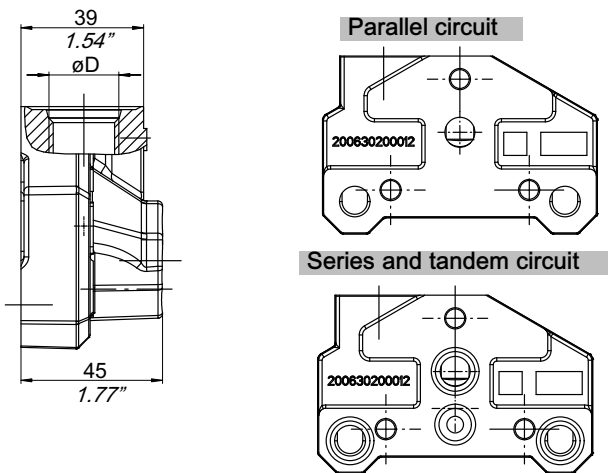
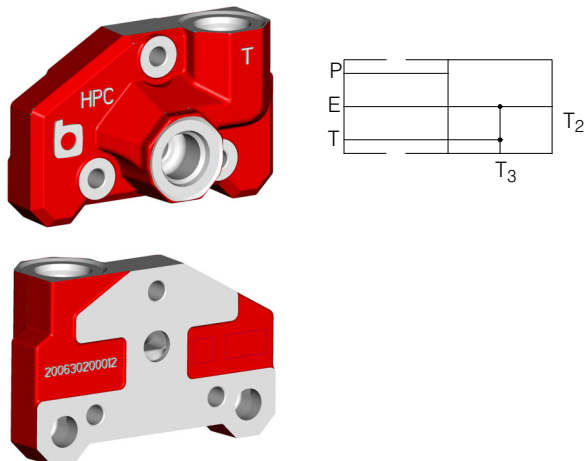
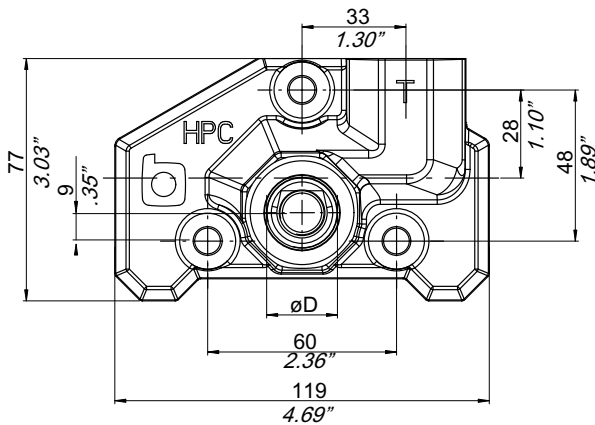
## 9 End covers

### 9.1 Standard end cover



Type/code	
Standard circuit parallel	Optional circuit series and tandem
P31 200630290100	P32 200930290110

### 9.1.1 End cover with outlet ports T<sub>2</sub> and T<sub>3</sub>



ØD	Type/code	
	Standard circuit parallel	Optional circuit series and tandem
M18X1.5	P01 200930210060	P41 200930210040
3/8" BSP	P02 200930220070	P42 200930220050
1/2" BSP	P03 200930230070	P43 200930230050
SAE10	P05 200930280030	P45 200930280060
3/4" BSP	P09 200930240010	P49 200930240030