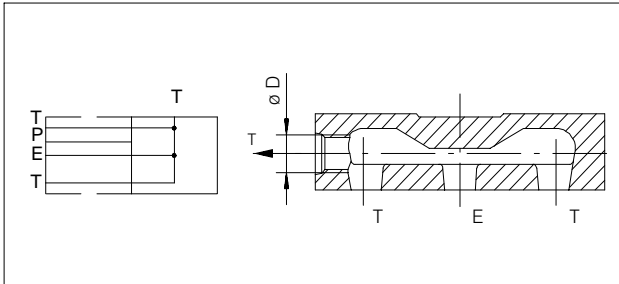


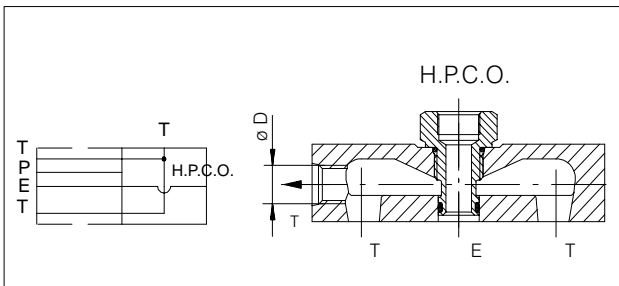
**7.7 End covers**

**7.7.1 End cover (std) with T and open center for parallel version**



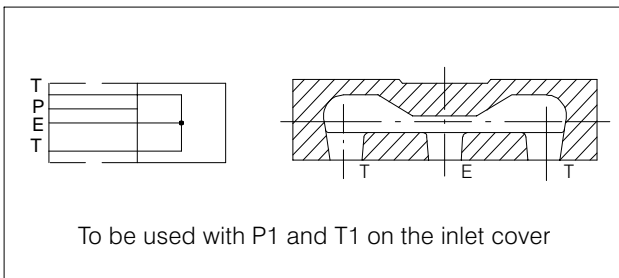
Ø D	Type	Code
SAE6	<b>P01</b>	200.6300.6001.1
3/8" BSP	<b>P04</b>	200.6300.2001.1
M18X1.5	<b>P05</b>	200.6300.1001.0

**7.7.2 End cover with T and H.P.C.O. (power beyond) for parallel version**



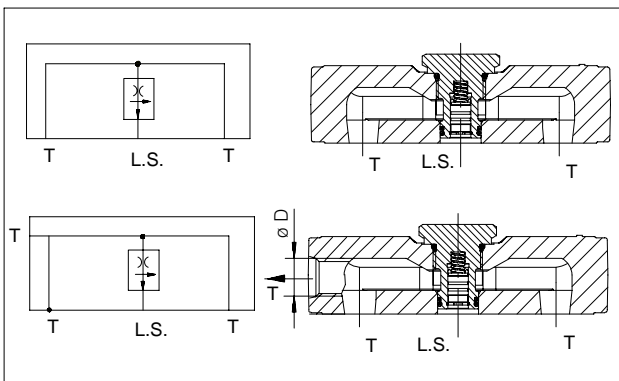
Ø D	Type	Code
SAE6	<b>P06</b>	200.9300.6002.0
3/8" BSP	<b>P09</b>	200.9300.2002.0
M18X1.5	<b>P10</b>	200.9300.1002.0

**7.7.3 End cover with open center for parallel version**



Ø D	Type	Code
-	<b>P11</b>	200.6300.9001.0

**7.7.4 End cover for Load Sensing version**



Ø D	Type	Code
-	<b>P56</b>	200.7302.9024.0
3/8" BSP	<b>P57</b>	200.7302.2010.0
M18X1.5	<b>P58</b>	200.7302.1016.0