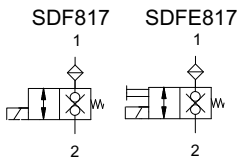
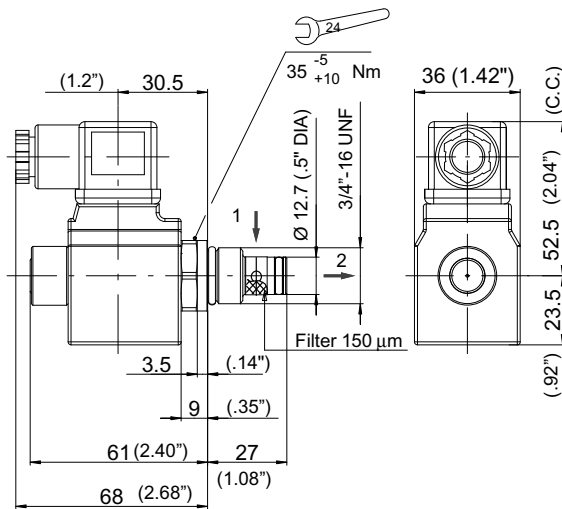


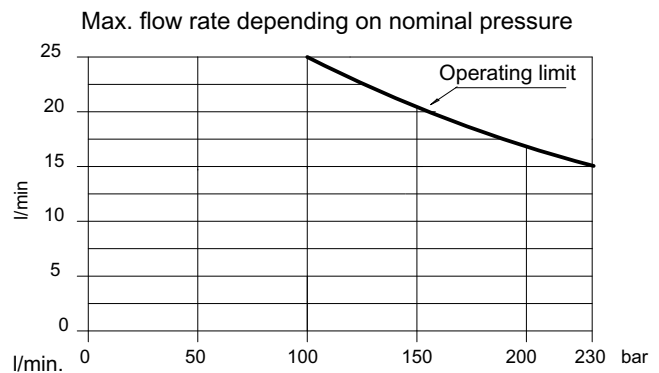
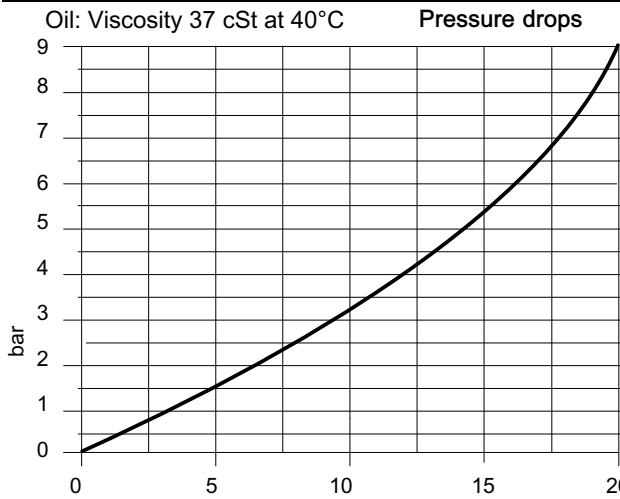
7.4.2 Solenoid operated directional valve: SDF817/22-TH - SDFE817/22-TH

Normally closed
Poppet type
Direct acting - 27 Watt
Flow from 1 to 2
With (SDFE) or without (SDF) manual override
Manual override = push to open



Weight (mechanical part only): 0.121 Kg

Performances	
Max. pressure	230 bar
Max. recommended pressure	See 2.2
Max. flow	15 l/min. 230 bar
Rated power	27 Watt
Intermittence	ED= 100%
Voltage tolerance	± 10%
Internal leakage	0-5 drops/min.
Temperature range	-20/+90 °C
Connector type	DIN 43650
Time to open (50-210 bar)	15-50 ms.
Time to close (50-210 bar)	10-50 ms.



Type	Code*
ELVAL SDF817/22-TH P.M.	200757200940
ELVAL SDFE817/22-TH P.M.	200757200970

* Mechanical part code only. For connector and coil see section: 7.4.5 - 7.4.6

