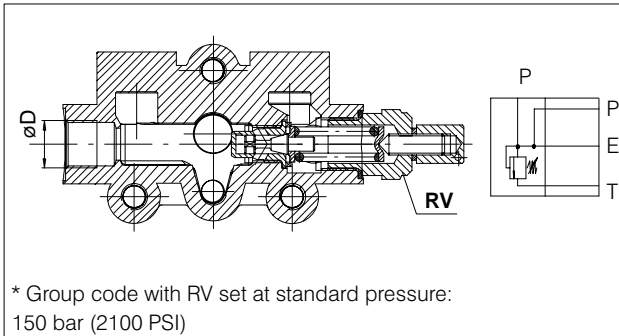


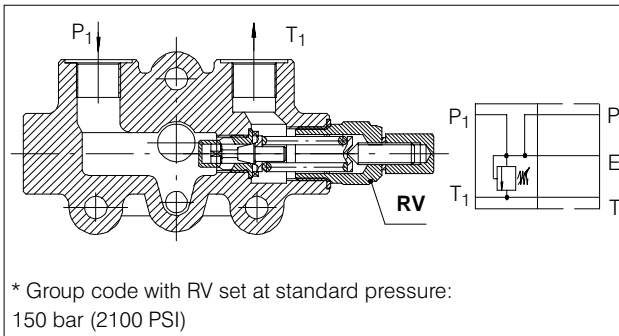
7.5 Inlet and outlet covers

7.5.1 Inlet cover (standard) with P and RV for parallel version



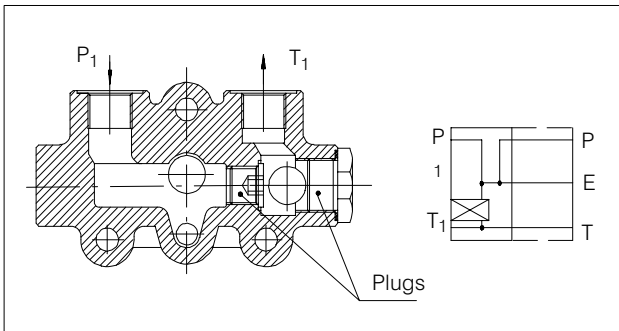
Ø D	Type	Code
SAE6	T06	* 200.9310.6002.0
3/8" BSP	T09	* 200.9310.2002.0
M18X1.5	T10	* 200.9310.1003.0

7.5.2 Inlet cover with P₁ – T₁ – RV for parallel version



Ø D	Type	Code
SAE6	T11	* 200.9310.6003.0
3/8" BSP	T14	* 200.9310.2003.0
M18X1.5	T15	* 200.9310.1002.0

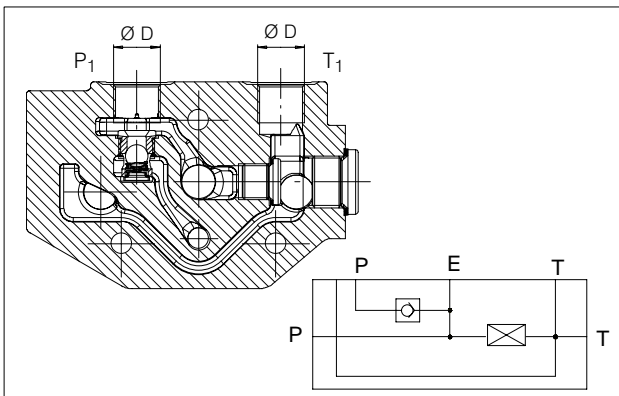
7.5.3 Inlet cover with P₁ – T₁ for parallel version



Ø D	Type	Code
SAE6	T16	200.9310.6004.0
3/8" BSP	T19	200.9310.2004.0
M18X1.5	T20	200.9310.1004.0

N.B.: For the best valve performances use always outlet cover with side T connection (T1 plugged)
T1 connection can reduce general performances of the valves. Please contact our Technical Dept.

7.5.4 Inlet cover with check valve for parallel version



Inlet cover with P-T without RV		
Ø D	Type	Code
SAE6	T701	These versions are not available yet. Please contact our Sales Dept.
3/8" BSP	T704	
M18X1.5	T705	