

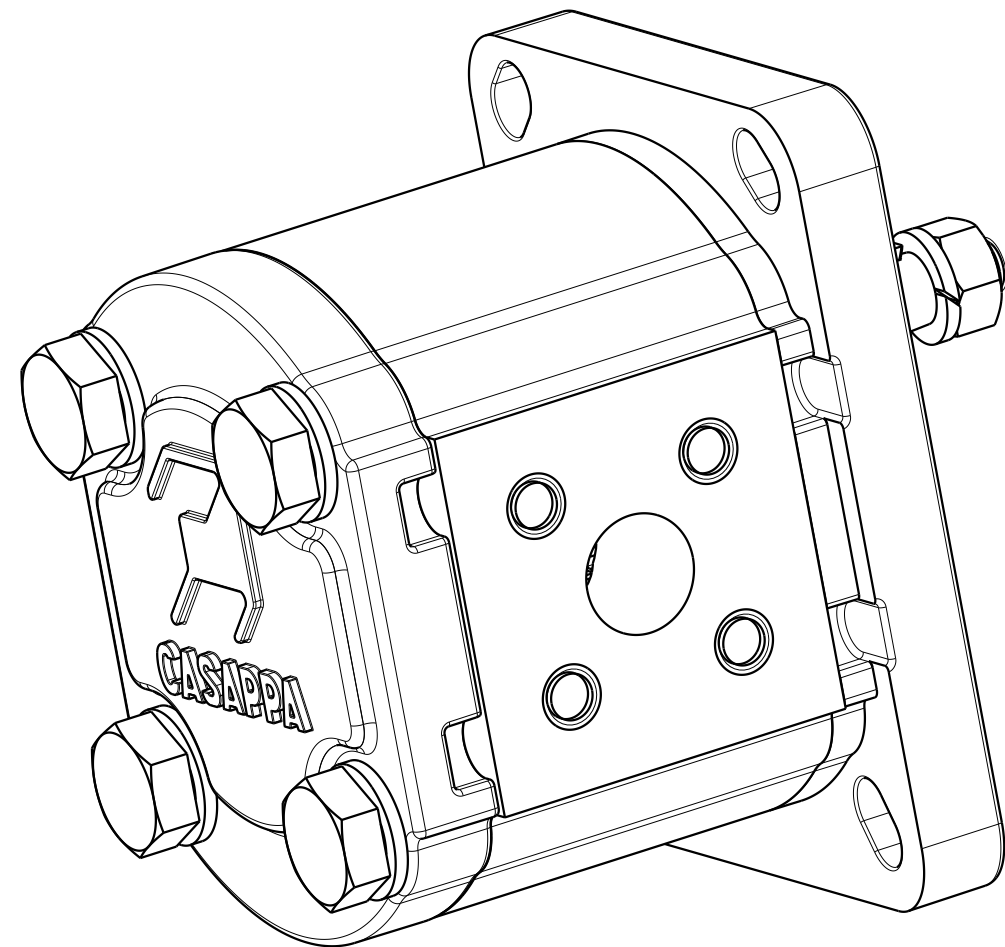
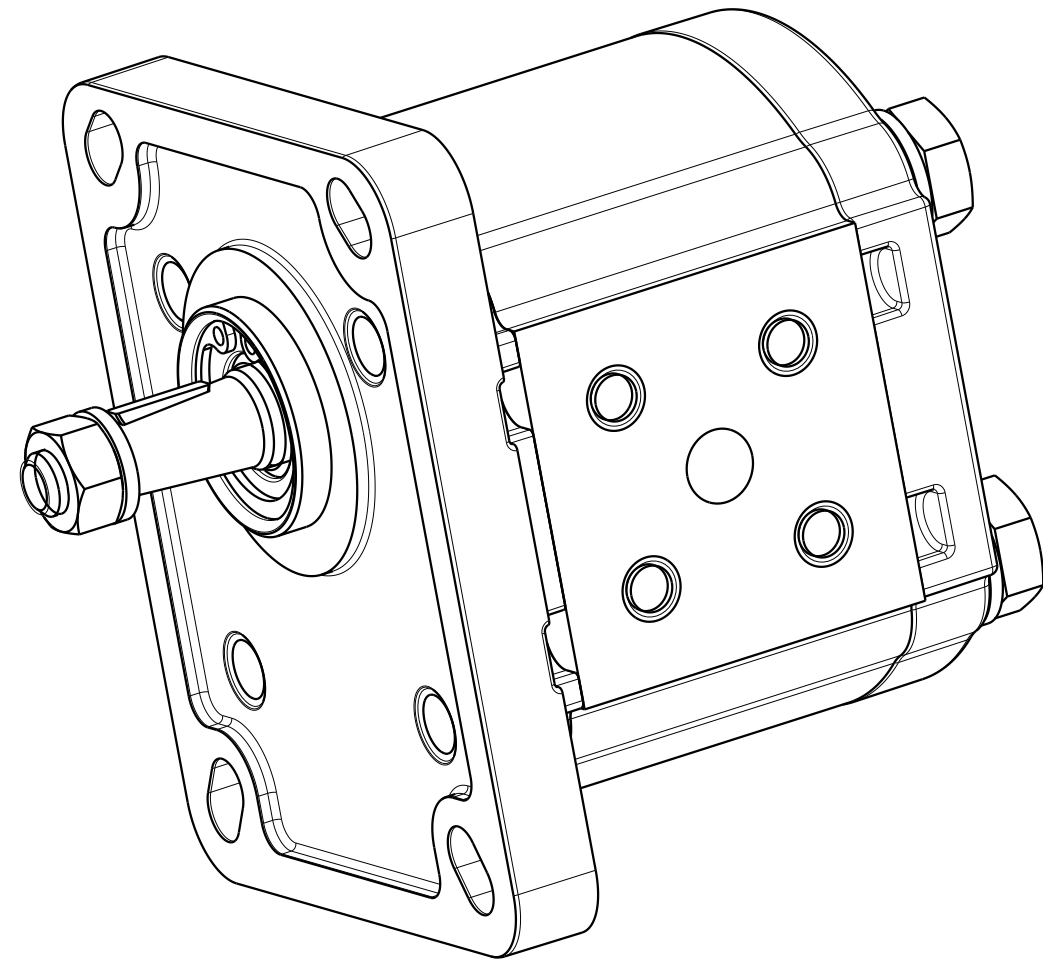
Signature for approval  
 \_\_\_\_\_  
 Date: \_\_\_\_\_

For operating condition outside those stated, please consult Casappa S.p.A. Technical sales department

Dimensions w/o tol:  
 - Both machining ref.:  $< 400 \pm 0.6$ ;  $\geq 400 \pm 1$   
 - One or both rough ref.:  $\pm 3$   
 Dimensions are in mm.

Cap.Forn./Rules Suppl.	Trattamento Termico / Heat Treatment	Trattamento Superficiale / Surface Treatment	Prof.(mm) / Depth
-	-	-	-
Quote senza indicazione di tolleranza / Unless otherwise specified tolerances		Materiale / Material	Durezza / Hardness
GRADO DI PRECISIONE ACCURACY LEVEL		-	-
Disegnato/Drawn	Approvato/Approved	Mod.Tecn./ Release change	Progetto/Project
Date	10-04-2020	10-04-2020	U1061
Firma	BassoA	CarusoD	14279
Signature			00372954
Descrizione / Description			Scala/Scale
POMPA PLP10.3,15D0-81E1-LBB/BA-N-EL			1:1
PUMP PLP10.3,15 D0-81E1-LBB/BA-N-EL			Formato/Size
Codice / Code			A3
00372954			Ind. Mod./ Index Rev.
Sostituisce / It replaces			1
-			

**CASAPPA**  
 FLUID POWER DESIGN  
 The information hereon is the property of CASAPPA Spa. Without written permission, any copying, transmittal to others and any use except that for which it's loaned, is prohibited.



### PUMP DATA

Senso di rotazione (guardando l'albero conduttore) Direction of rotation (looking on drive shaft)		Destro (D) Clockwise (D)
Cilindrata - Displacement		3.34 [cm <sup>3</sup> /rev]
Campo pressione di alimentazione per pompe Inlet pressure range for pump		0.7 - 3 [bar abs.]
Pressione max continua - Max continuous pressure	P1	260 [bar]
Pressione max intermittente - Max intermittent pressure	P2	280 [bar]
Pressione max picco - Max peak pressure	P3	290 [bar]
Velocità - Speed	min P1	650 [min <sup>-1</sup> ]
	max P1	4000 [min <sup>-1</sup> ]
Guarnizioni - Seals type		NBR
Temperatura minima - Min temperature		-25 [°C]
Temperatura massima - Max temperature	continuous	+ 80 [°C]
	peak	+ 100 [°C]
Campo di viscosità - Viscosity range	recommended	12 to 100 mm <sup>2</sup> /s (cSt)
	permitted	max 750 mm <sup>2</sup> /s (cSt)
Classe di contaminazione raccomandata per il fluido Recommended fluid contamination class	$\Delta p > 200$ bar $\beta x = 75 - 10 \mu m$	8 - Nas 1638 19/17/14 - ISO 4406
	$\Delta p < 200$ bar $\beta x = 75 - 25 \mu m$	10 - Nas 1638 21/19/16 - ISO 4406
Codice del prototipo - Prototype code		-
Codice cliente - Customer code		-
Valvola di massima pressione - Relief valve		- [bar]
Pressione di stand-by valvola LS - Stand-by pressure LS valve		- [bar]
Peso - Weight		0.960 kg
Vernice - Painting		-
Trattamenti speciali - Special treatment		-

Independently from the max rated pressure values indicated in the table, the max admissible torque of the output shaft and (when applicable) of connecting hub(s) must be respected. Consequently it could be necessary to limit the max working pressures accordingly.

Indipendentemente dai valori di massima pressione riportati in tabella, devono essere rispettate le coppie massime ammissibili su alberi e/o mozzi di trascinamento. Pertanto potrebbe risultare necessario limitare le pressioni massime di esercizio di conseguenza.

Signature for approval

For operating condition outside those stated, please consult Casappa S.p.A. Technical sales department

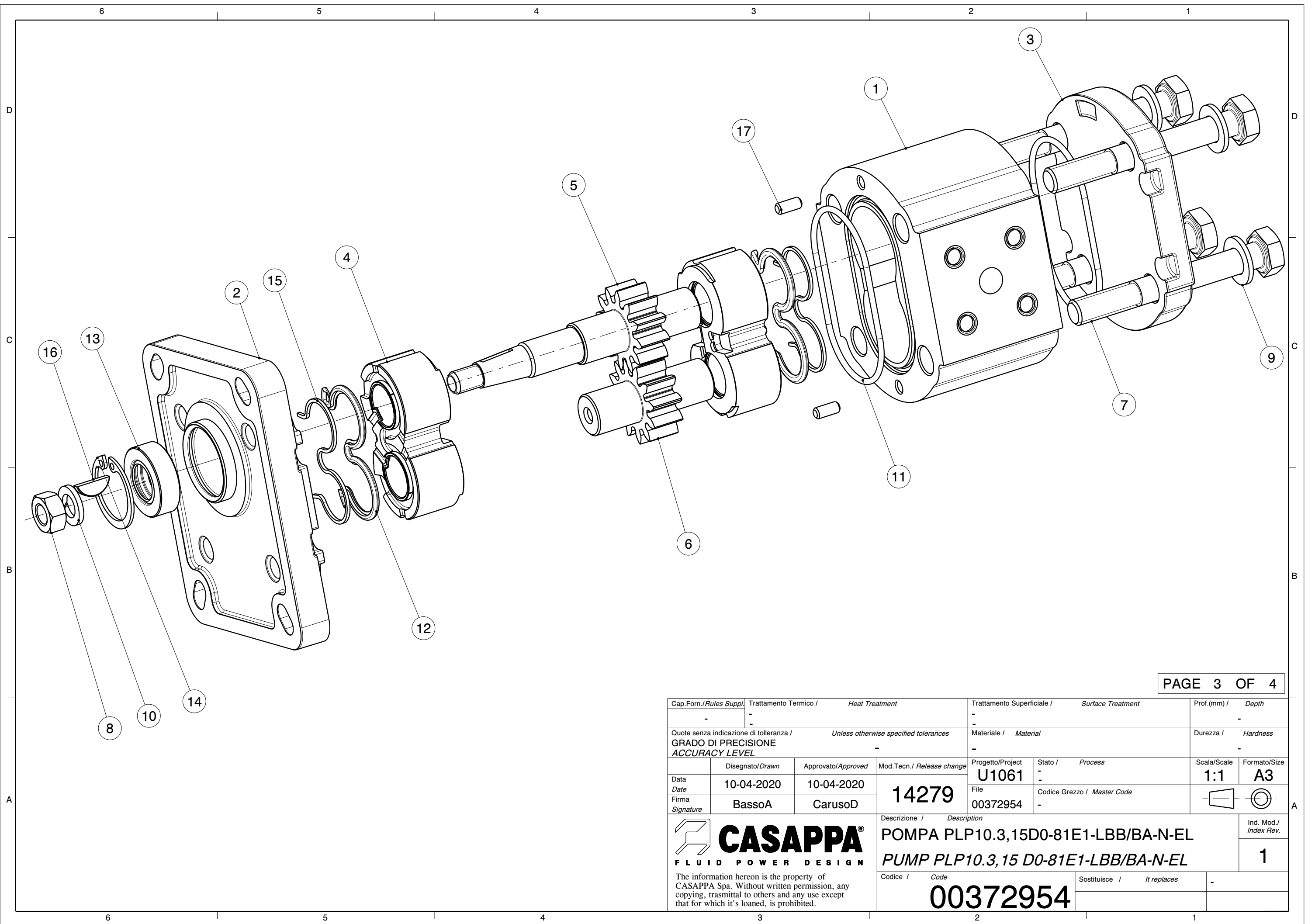
Date: \_\_\_\_\_

PAGE 2 OF 4

Cap.Forn./Rules Suppl.	Trattamento Termico / Heat Treatment	Trattamento Superficiale / Surface Treatment	Prof.(mm) / Depth
-	-	-	-
Quote senza indicazione di tolleranza / Unless otherwise specified tolerances		Materiale / Material	Durezza / Hardness
GRADO DI PRECISIONE ACCURACY LEVEL		-	-
Disegnato/Drawn	Approvato/Approved	Mod.Tecn./ Release change	Progetto/Project
Date	10-04-2020	10-04-2020	U1061
Firma	BassoA	CarusoD	14279
Signature			00372954
Descrizione / Description			Scala/Scale
POMPA PLP10.3,15D0-81E1-LBB/BA-N-EL			5:4
PUMP PLP10.3,15 D0-81E1-LBB/BA-N-EL			Formato/Size
Codice / Code			A3
00372954			Ind. Mod./ Index Rev.
Sostituisce / It replaces			1
-			



The information hereon is the property of CASAPPA Spa. Without written permission, any copying, transmittal to others and any use except that for which it's loaned, is prohibited.



Cap.Forn./Rules Suppl.	Trattamento Termico / Heat Treatment	Trattamento Superficiale / Surface Treatment	Prof.(mm) / Depth
-	-	-	-
Quote senza indicazione di tolleranza / Unless otherwise specified tolerances		Materiale / Material	Durezza / Hardness
GRADO DI PRECISIONE ACCURACY LEVEL		-	-
Disegnato/Drawn	Approvato/Approved	Mod.Tecn./ Release change	Progetto/Project
Date	10-04-2020	10-04-2020	U1061
Firma Signature	BassoA	CarusoD	14279
		File	00372954
		Stato / Process	-
		Codice Grezzo / Master Code	-
Descrizione / Description			Scala/Scale
<b>CASAPPA</b> FLUID POWER DESIGN			Formato/Size
POMPA PLP10.3,15D0-81E1-LBB/BA-N-EL PUMP PLP10.3,15 D0-81E1-LBB/BA-N-EL			1:1
Codice / Code			Ind. Mod./ Index Rev.
00372954			1
Sostituisce / It replaces		-	

The information hereon is the property of CASAPPA Spa. Without written permission, any copying, trasmittal to others and any use except that for which it's loaned, is prohibited.

D

D

C

C

B

B

A

A

17	49250000		2	SPINA MM.3,5X8 DOWEL PIN MM.3,5X8	0
16	42490000		1	LINGUETTA 2,38X4,5 280 HB KEY 2,38X4,5	1
15	41310100		2	ANTIESTRUSORE PL10 S/D Z ANTIESTRUSION PL10 S/D Z	3
14	40630000		1	ANELLO 22 UNI 7437-DIN 472 RING 22 UNI 7437-DIN 472	0
13	39670000		1	PARAOLIO 11X22 N SHAFT SEAL BABSL 11X22X7	1
12	39654300		2	GUARNIZIONE PL10 S/D SEAL PL10 S/D	4
11	38740000		2	ANELLO TOROIDALE PH 2-031 90GRA SH.A (44,17X1,78) O RING SEAL PH 2-031 90GRA SH.A (44,17X1,78)	0
10	37588000		1	ROSETTA 7 UNI 1751 GEOMET 321/A WASHER 7 UNI 1751 GEOMET 321/A	1
9	37583650		4	ROSETTA 8 (8.4x15x1.5) HV300 GEOMET 321/A PLUS M WASHER 8 (8.4x15x1.5) HV300 GEOMET 321/A PLUS M	0
8	36670000		1	DADO M 7 UNI 5588-A-6S-FEZN12-C-1A NUT M 7 UNI 5588-A-6S-FEZN12-C-1A	0
7	36500610		4	VITE TE M 8X65 - 5737 - 10.9 GEOMET 321/A PLUSM SCREW TE M 8X65 - 5737 - 10.9 GEOMET 321/A PLUSM	1
6	27718504		1	INGR.CONDOTTO PL10.3,15 DRIVEN GEAR PL10.3,15	8
5	27715004		1	INGR. CONDUTTORE PL10.3,15-81 DRIVE SHAFT PL10.3,15-81	11
4	23700018		2	RASAMENTO PL10/AL S/D MINORATO (ES) THRUST PLATE PL10/AL S/D MINOR (ES)	3
3	21670200		1	COPERCHIO POST. PL10/AL REAR COVER PL10/AL	2
2	21663950		1	COPERCHIO ANT. PL10-E1/AL FRONT COVER PL10-E1/AL	8
1	17100004		1	CORPO PL10.3,15-LBB/BA (H = 42) BODY PL10.3,15-LBB/BA (H = 42)	12
<b>Pos.</b>	<b>Codice Code</b>	<b>Kit</b>	<b>Q.tà Q.ty</b>	<b>Descrizione Description</b>	<b>Indice Modifica Index Revision</b>

PAGE 4 OF 4

Cap.Forn./Rules Suppl.		Trattamento Termico / Heat Treatment		Trattamento Superficiale / Surface Treatment		Prof.(mm) / Depth	
-		-		-		-	
Quote senza indicazione di tolleranza / Unless otherwise specified tolerances				Materiale / Material		Durezza / Hardness	
GRADO DI PRECISIONE ACCURACY LEVEL				-		-	
	Disegnato/Drawn	Approvato/Approved	Mod.Tecn./ Release change	Progetto/Project	Stato / Process	Scala/Scale	Formato/Size
Data Date	10-04-2020	10-04-2020	14279	U1061	-	1:1	A4
Firma Signature	BassoA	CarusoD		File	Codice Grezzo / Master Code	-	
				Descrizione / Description			Ind. Mod./ Index Rev.
<b>CASAPPA®</b>				POMPA PLP10.3,15D0-81E1-LBB/BA-N-EL			1
FLUID POWER DESIGN				PUMP PLP10.3,15 D0-81E1-LBB/BA-N-EL			
The information hereon is the property of CASAPPA Spa. Without written permission, any copying, trasmittal to others and any use except that for which it's loaned, is prohibited.				Codice / Code		Sostituisce / It replaces	
				00372954		-	