

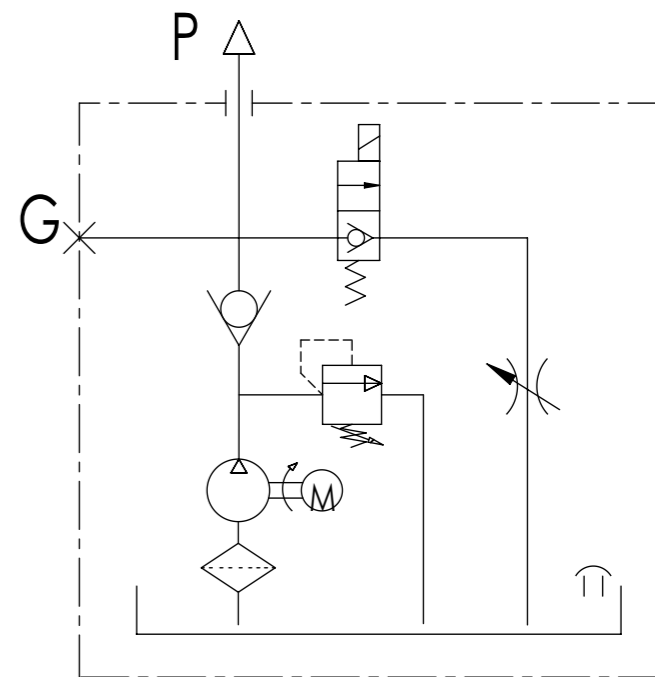
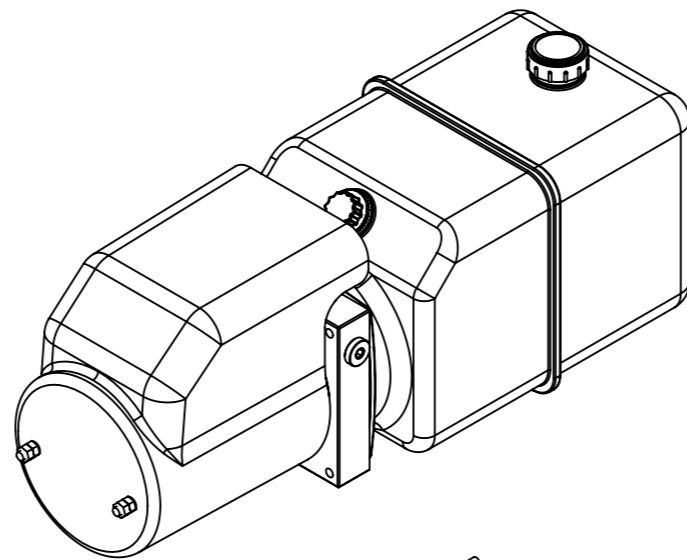
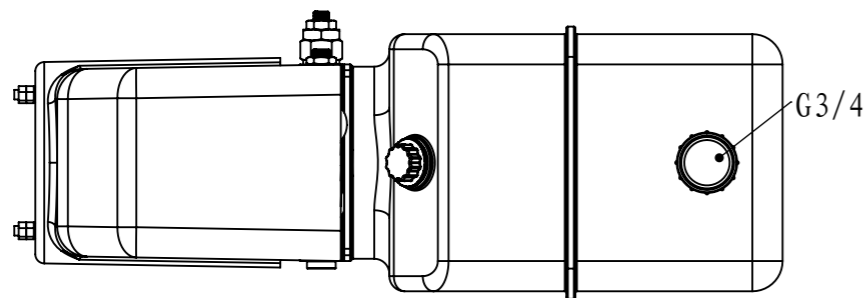
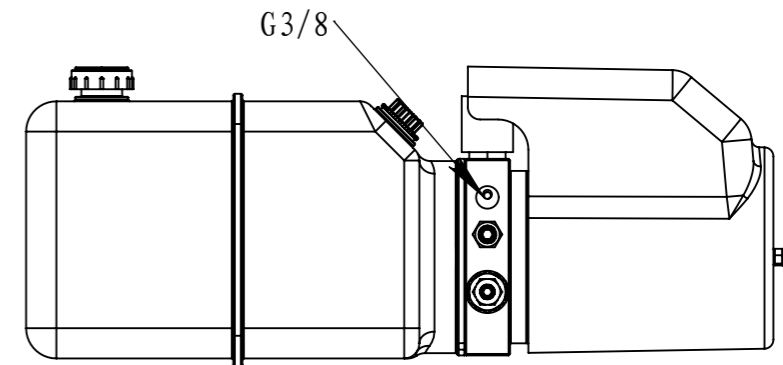
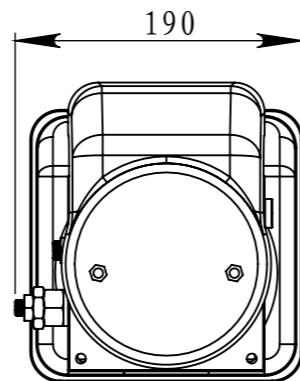
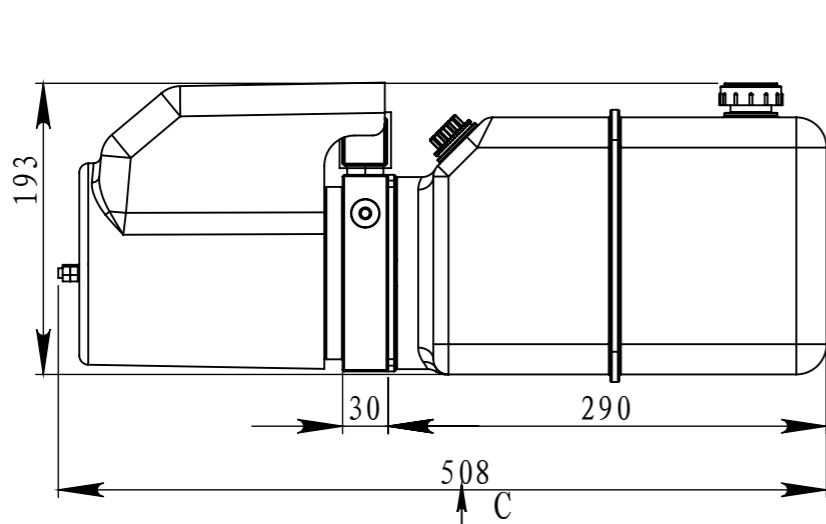
12VDC 1.6KW 2500rpm	12VDC	2.1cc/r	7L	160 bar	G3/8"
Motor	Lowering Coil Voltage	Gear Pump	Oil Tank	System Pressure	

# FLOWFIT®

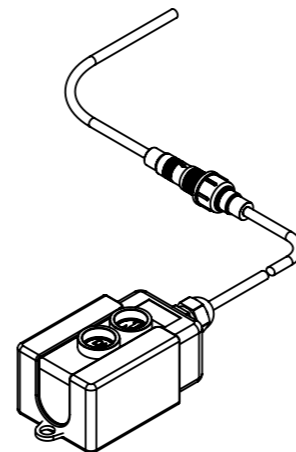
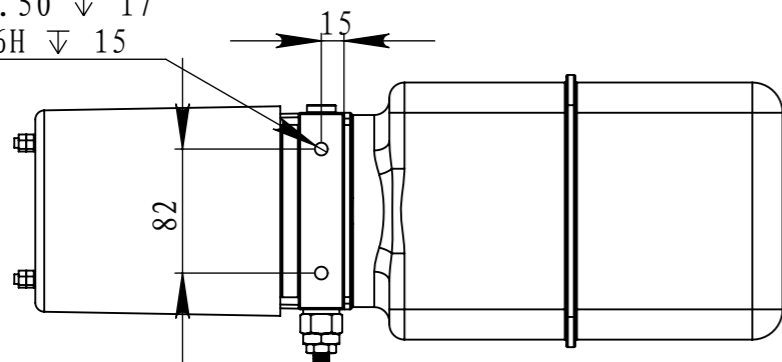


**MANUFACTURERS AND SUPPLIERS  
OF HYDRAULIC COMPONENTS**

PART NUMBER ZZ009277



2 x  $\varnothing$  8.50  $\nabla$  17  
M10 - 6H  $\nabla$  15



**Everything Hydraulic**