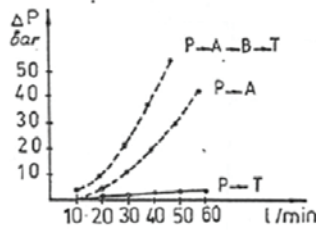
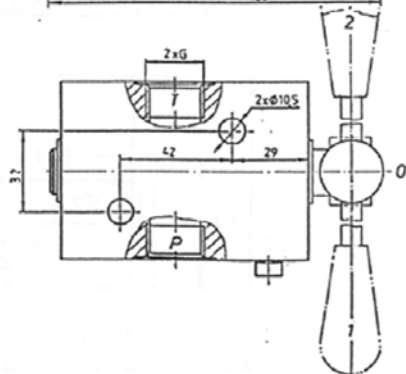
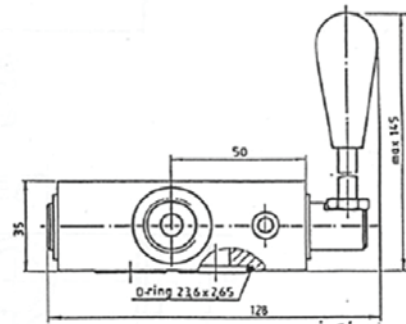
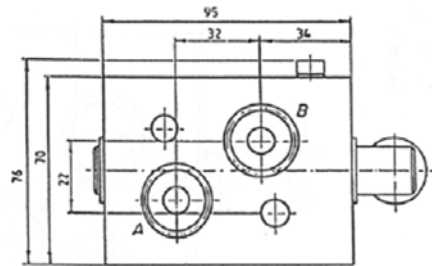
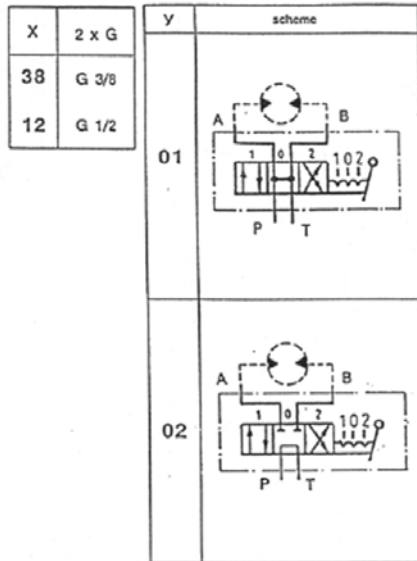


***BDS Type Motor Mounted
Directional Control Valve***

Type BDS-X-Y



TECHNICAL DATA

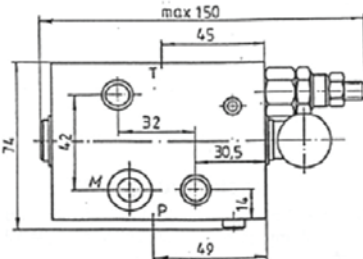
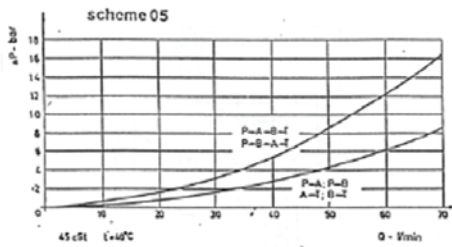
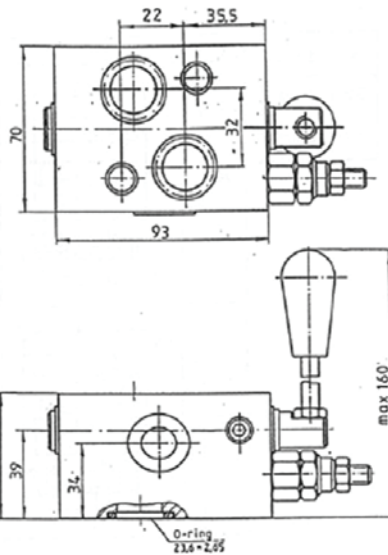
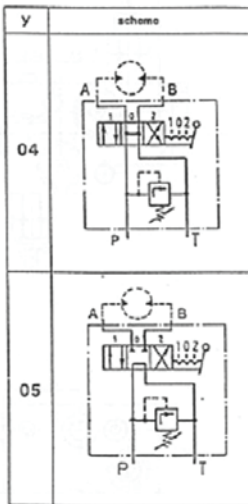
- nominal flow rate - 25 l/min for X = 38
- nominal flow rate - 50 l/min for X = 12
- nominal pressure - 210 bar

Manifold Mounts Directly onto ports of EPMS (OMS) motor

***BDS Type Motor Mounted
Directional Control Valve
With Integral Relief Valve***

Type BDS-X-Y

X	2 x G
38	G 3/8
12	G 1/2



TECHNICAL DATA

- Nominal flow rate - 25 l/min for X = 38
- Nominal flow rate - 50 l/min for X = 12
- Nominal pressure - 210 bar
- Relief valve variation ratio - 10...250 bar

Manifold Mounts Directly onto ports of EPMS (OMS) motor